

BCEP-EXP

Explosion Proof
Single Point Load Cell (10~50kgf)



Description

BCEP-EXP is a stainless steel Single point type load cell. BCEP-EXP is built for hazardous environments such as in explosive and moist settings. This high-accuracy Load Cell is used for small-sized Explosion-Proof Scales.

Specifications

Capacity(R.L.)		kgf	10, 20, 50	
Rated Output		mV / V	2.0 ± 0.2	
Zero Balance		mV / V	0.0 ± 0.2	
Accuracy Class		-	A	B
Non-Linearity		% R.O.	≤ 0.02	≤ 0.03
Hysteresis		% R.O.	≤ 0.02	≤ 0.03
Combined Error		% R.O.	≤ 0.02	≤ 0.03
Repeatability		% R.O.	≤ 0.01	≤ 0.01
Creep for 30min.		% R.O.	≤ 0.017	≤ 0.03
Return for 30min.		% R.O.	≤ 0.017	≤ 0.03
Resolution		-	≤ 1/5000	≤ 1/3000
Division		mV / V	0.0004	0.00067
Temperature Effect on	-Zero Value	%/10°C	≤ 0.014	≤ 0.028
	-Output Value	%/10°C	≤ 0.011	≤ 0.014
Excitation	-Recommended	V	10	
	-Maximum	V	15	
Resistance	-Input	Ω	420 ± 20	
	-Output	Ω	350 ± 3.5	
	-Insulation	MΩ	> 2000	
Compensated Temperature Range		°C	-10 to + 40	
Operating Temperature Range		°C	-30 to + 80	
Material & Plate		-	Stainless steel	
Cable Specification		-	Ø5 x 4P x 3m (Urethane)	
Safety Overload		% R.L.	150	
Platform Size		mm	300 x 300	

Features

- ▶ Pressure type
- ▶ Stainless steel material
- ▶ Hermetically Sealed Structure
- ▶ Explosion-proof Structure
- ▶ Designed according to IP66

Option

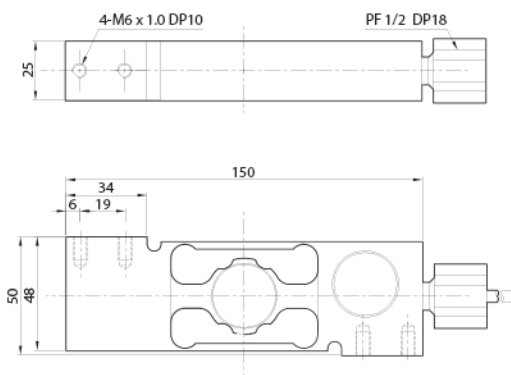
- ▶ BCEP-EXP / Intrinsic Safety (Ex ia IIC T4)
- ▶ BCEP-EXP-D / Flameproof (Ex d IIC T4)
- ▶ BCEP-EXP-TD / Dust-proof (Ex tD A21 T135C IP66)

Application

- ▶ Bench Scale
- ▶ Platform Scale

Dimensions

▶ Intrinsic Safety



▶ Flameproof, Dust-proof

