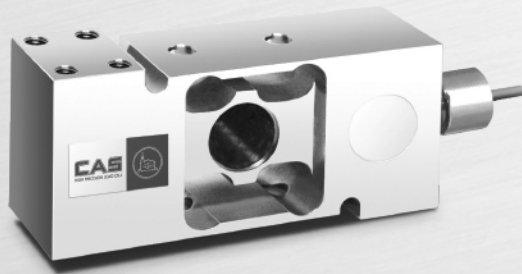


BCEP-EXP

Explosion Proof
Single Point Load Cell (100~300 kgf)



Description

BCEP-EXP is a stainless steel Single point type load cell. Capable of withstanding explosions in hazardous areas, this explosion proof load cell is suitable for mid-sized explosion proof scales. Its IP66 approved water proof feature is also highly preferred in wet areas.

Specifications

Capacity(R.L)	kgf	100, 200, 300		
Rated Output	mV / V	2.0 ± 0.2		
Zero Balance	mV / V	0.0 ± 0.02		
Accuracy Class	-	A	B	
Non-Linearity	% R.O.	≤ 0.02	≤ 0.03	
Hysteresis	% R.O.	≤ 0.02	≤ 0.03	
Combined Error	% R.O.	≤ 0.02	≤ 0.03	
Repeatability	% R.O.	≤ 0.01	≤ 0.01	
Creep for 30min.	% R.O.	≤ 0.017	≤ 0.03	
Return for 30min.	% R.O.	≤ 0.017	≤ 0.03	
Resolution	-	≤ 1/5000	≤ 1/3000	
Division	mV / V	0.0004	0.00067	
Temperature Effect on	-Zero Value -Output Value	%/10°C %/10°C	≤ 0.014 ≤ 0.011	≤ 0.028 ≤ 0.014
Excitation	-Recommended -Maximum	V V	10 28	
Resistance	-Input -Output -Insulation	Ω Ω MΩ	420 ± 20 350 ± 3.5 > 2000	
Compensated Temperature Range	°C	-10 to + 40		
Operating Temperature Range	°C	-30 to + 80		
Material & Plate	-	Stainless steel		
Cable Specification	-	Ø5 x 4P x 3m (Urethane)		
Safety Overload	% R.L.	150		
Platform Size	mm	400 x 500		

Features

- ▶ Pressure type
- ▶ Stainless steel material
- ▶ Hermetically Sealed Structure
- ▶ Explosion-proof Structure
- ▶ Designed according to IP66

Option

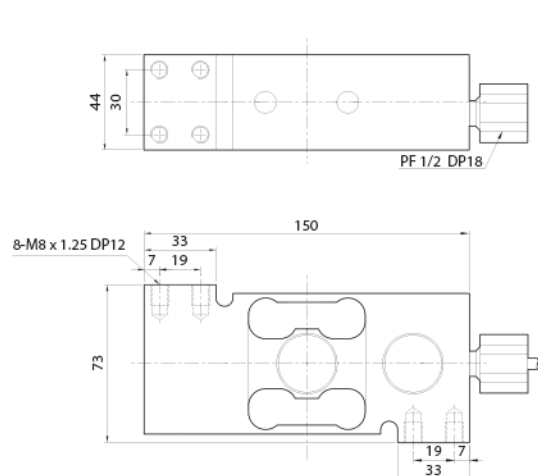
- ▶ BCEP-EXP / Intrinsic Safety (Ex ia IIC T4)
- ▶ BCEP-EXP-D / Flameproof (Ex d IIC T4)
- ▶ BCEP-EXP-TD / Dust-proof (Ex tD A21 T135C IP66)

Application

- ▶ Bench Scale
- ▶ Platform Scale

Dimensions

▶ Intrinsic Safety



▶ Flameproof, Dust-proof

