

BS | Single Ended Beam Load Cell (250kgf~10tf)



Description

BS is a Single ended beam type load cell of steel material. Compression type of low profile structure is suitable for various use environments such as platform, hopper, and tank size.

Specifications

Capacity(R.L.)	kgf	250, 500	1K, 2K, 5K, 10K
Rated Output	mV / V	1.5 ± 0.0037	2.0 ± 0.005
Zero Balance	mV / V	0.0 ± 0.015	0.0 ± 0.02
Accuracy Class	-	-	
Non-Linearity	% R.O.	≤ 0.03	
Hysteresis	% R.O.	≤ 0.03	
Combined Error	% R.O.	≤ 0.03	
Repeatability	% R.O.	≤ 0.01	
Creep for 30min.	% R.O.	≤ 0.03	
Return for 30min.	% R.O.	≤ 0.03	
Resolution	-	≤ 1/3000	
Division	mV / V	0.0005	0.00067
Temperature Effect on	-Zero Value -Output Value	%/10°C %/10°C	≤ 0.028 ≤ 0.015
Excitation	-Recommended -Maximum	V V	10 15
Resistance	-Input -Output -Insulation	Ω Ω MΩ	350 ± 20 350 ± 5 > 2000
Compensated Temperature Range	°C	-10 to +40	
Operating Temperature Range	°C	-30 to +80	
Material & Plate	-	Steel	
Cable Specification	-	Ø5.4 x 4P x 3m (Urethane), 10m(10tf)	
Safety Overload	% R.L.	150	
Safety Platform Size	mm	4-Point Platform	

Features

- ▶ Pressure type
- ▶ Low price model
- ▶ Designed according to IP65

Option

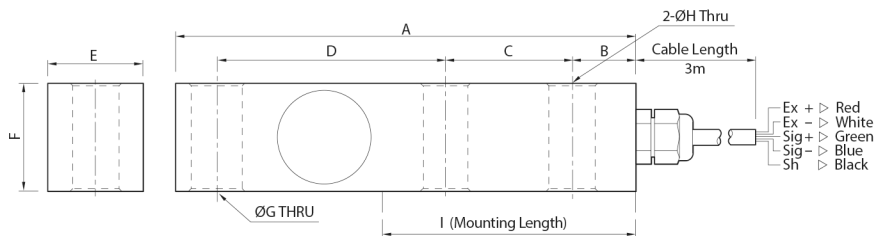
- ▶ Ball type Accessory (250kgf~2tf, 5tf, 10tf)

Application

- ▶ Platform Scale
- ▶ Tank, Hopper Scale

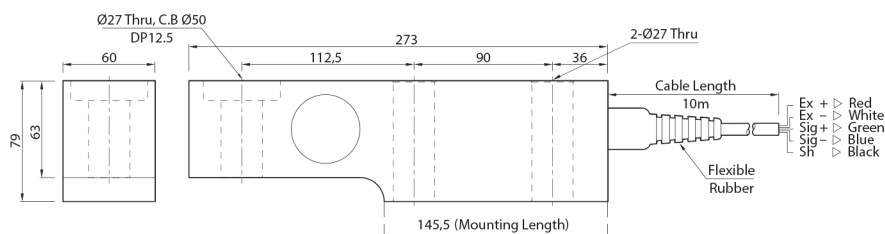
Dimensions

▶ BS (250kgf-5tf)



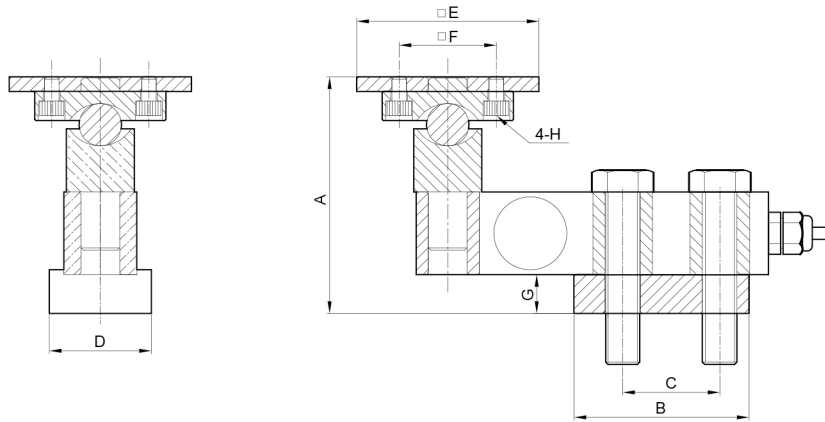
Capa.	A	B	C	D	E	F	G	H	I	Cable (m)
250kgf-2tf	145	20	40	71.9	30	34	16	14.5	72	3
5tf	205	25	55	105	38	48	20.5	20.5	100	10

▶ BS (10tf)



Accessory Dimensions

► BS (250kgf-5tf)



Capa.	A	B	C	D	E	F	G	H
250kgf-2tf	97.4	72	40	42	75	40	16	M6 x 1.0
5tf	134	100	55	48	100	50	16	M10 x 1.5

► BS (10tf)

