

BSB | Single Ended Beam Load Cell



Description

BSB is a Single ended beam type load cell of steel material . Its Low Profile Pressure Type Structure makes it compatible with platform, hopper, tank scales and a great variety of other scale types.

Specifications

Capacity(R.L.)	kgf	250, 500, 1K, 2K, 3K, 5K, 10k
Rated Output	mV / V	3.0 ± 0.0075
Zero Balance	mV / V	0.0 ± 0.03
Accuracy Class	-	-
Non-Linearity	% R.O.	≤ 0.03
Hysteresis	% R.O.	≤ 0.03
Combined Error	% R.O.	≤ 0.03
Repeatability	% R.O.	≤ 0.01
Creep for 30min.	% R.O.	≤ 0.03
Return for 30min.	% R.O.	≤ 0.03
Resolution	-	≤ 1/3000
Division	mV / V	0.001
Temperature Effect on	-Zero Value -Output Value	%/10°C %/10°C
		≤ 0.028 ≤ 0.015
Excitation	-Recommended -Maximum	V V
		10 15
Resistance	-Input -Output -Insulation	Ω Ω MΩ
		350 ± 3.5 350 ± 3.5 > 2000
Compensated Temperature Range	°C	-10 to +40
Operating Temperature Range	°C	-30 to +80
Material & Plate	-	Steel
Cable Specification	-	Ø5.4 x 4P x 3m (PVC), 5m (3-5tf), 10m (10tf)
Safety Overload	% R.L.	150

Features

- ▶ Pressure type
- ▶ Designed according to IP66

Option

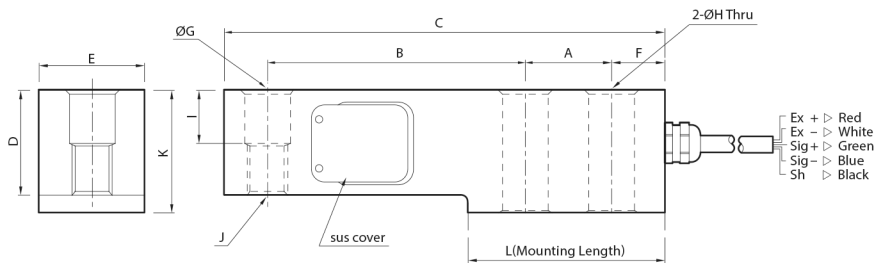
- ▶ TW Bolt Type Accessory (250kgf-2tf / 3-5tf)
- ▶ TWE Ball Type Accessory (250kgf-2tf / 3-5tf)

Application

- ▶ Platform Scale
- ▶ Tank, Hopper Scale

Dimensions

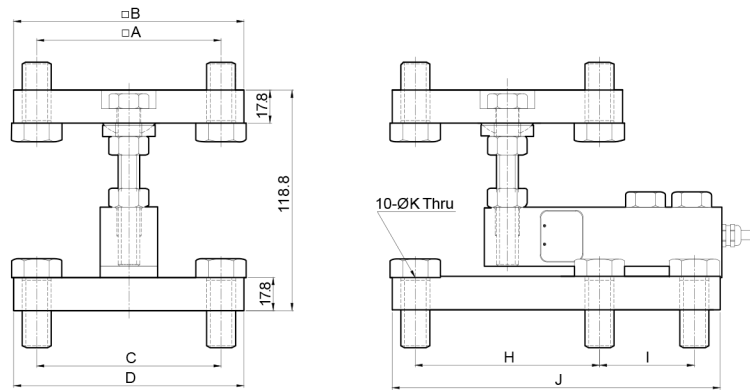
▶ BSB



Capa.	A	B	C	D	E	F	G	H	I	J	K	L	Cable (m)
250kgf-2tf	25.4	76.2	131	32	31.8	16.7	13.5	13.5	16	M12 x 1.75	38	57.2	3
3-5tf	38.2	95.3	172.5	38	38	20	20	20	19	M18 x 1.5	44.5	76.2	5
10tf	50.8	120.7	223.3	50.8	50.8	26.4	26.2	26.2	25.4	M24 x 2	57.2	101.6	10

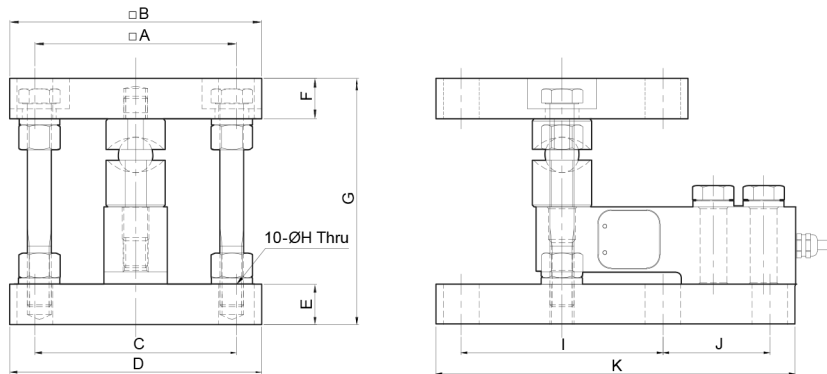
Accessory Dimensions

► BSB-TW



Capa.	A	B	C	D	E	F	G	H	I	J	K
250kgf-2tf	101.6	127	101.6	127	17.8	17.8	118.8	101.6	52.3	180.9	17
3-5tf	101.6	127	101.6	127	23.9	23.9	142.4	101.6	82.5	215.9	17

► BSB-TWE



Capa.	A	B	C	D	E	F	G	H	I	J	K
250kgf-2tf	101.6	127	101.6	127	20	20	121.8	18	101.6	53.9	180.9
3-5tf	101.6	127	101.6	127	24	26	156.15	18	101.6	88.9	215.9

► BSB-TWE (10t)

