

BSS-EXP

Explosion Proof
Single Ended Beam Load Cell



Description

BSS-EXP is a stainless steel Single ended beam type load cell. Capable of withstanding explosions in hazardous areas, this explosion proof load cell is suitable for mid-sized explosion proof platform, hopper, tank and many other types of scales. Its IP66 approved water proof feature is also highly preferred in wet areas.

Specifications

Capacity(R.L.)	kgf	500, 1K, 2K, 3K, 5K	
Rated Output	mV / V	2.0 ± 0.005	
Zero Balance	mV / V	0.0 ± 0.02	
Accuracy Class	-	A	B
Non-Linearity	% R.O.	≤ 0.025	≤ 0.03
Hysteresis	% R.O.	≤ 0.025	≤ 0.03
Combined Error	% R.O.	≤ 0.025	≤ 0.03
Repeatability	% R.O.	≤ 0.01	≤ 0.01
Creep for 30min.	% R.O.	≤ 0.017	≤ 0.03
Return for 30min.	% R.O.	≤ 0.017	≤ 0.03
Resolution	-	≤ 1/5000	≤ 1/3000
Division	mV / V	0.0004	0.00067
Temperature Effect on	-Zero Value -Output Value	%/10°C %/10°C	≤ 0.014 ≤ 0.014
Excitation	-Recommended -Maximum	V V	10 28
Resistance	-Input -Output -Insulation	Ω Ω MΩ	350 ± 3.5 350 ± 3.5 > 2000
Compensated Temperature Range	°C	-10 to + 40	
Operating Temperature Range	°C	-30 to + 80	
Material & Plate	-	Stainless steel	
Cable Specification	-	Ø5 x 4P x 5m (Urethane)	
Safety Overload	% R.L.	150	

Features

- ▶ Pressure-type
- ▶ Stainless Steel
- ▶ Low profile
- ▶ Hermetically sealed structure
- ▶ Designed according to IP68

Option

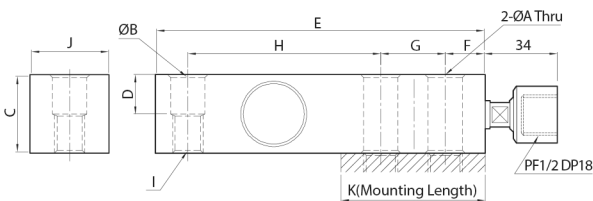
- ▶ TW Bolt Type Accessory (250kgf-2tf / 3-5tf)
- ▶ TWE Ball Type Accessory (250kgf-2tf / 3-5tf)
- ▶ BCEP-EXP / Intrinsic Safety (Ex ia IIC T4)
- ▶ BCEP-EXP-D / Flameproof (Ex d IIC T6)
- ▶ BCEP-EXP-TD / Dust-proof (Ex tD A21 T135C IP66)

Application

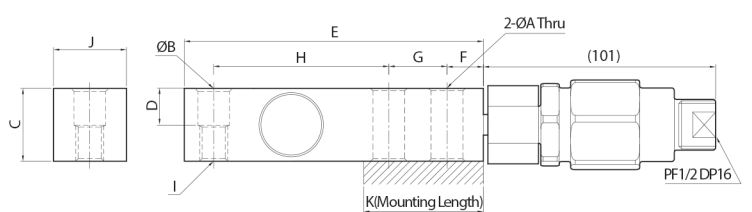
- ▶ Platform Scale
- ▶ Tank, Hopper Scale

Dimensions

▶ Intrinsic Safety



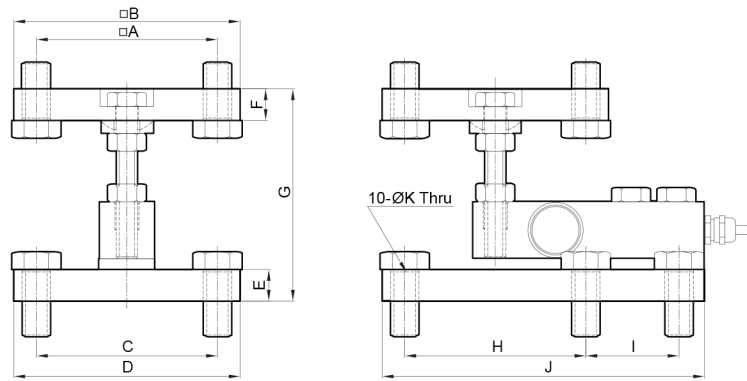
▶ Flameproof, ust-proof



Capa.	A	B	C	D	E	F	G	H	I	J	K	Cable (m)
500kgf-2tf	13.5	13.5	31.7	15.8	130	15.8	25.4	76.1	M12 x 1.75	31.7	52	5
3-5tf	20	20	38.1	19.1	171.5	19	38.1	95.3	M18 x 1.5	38.1	76.2	

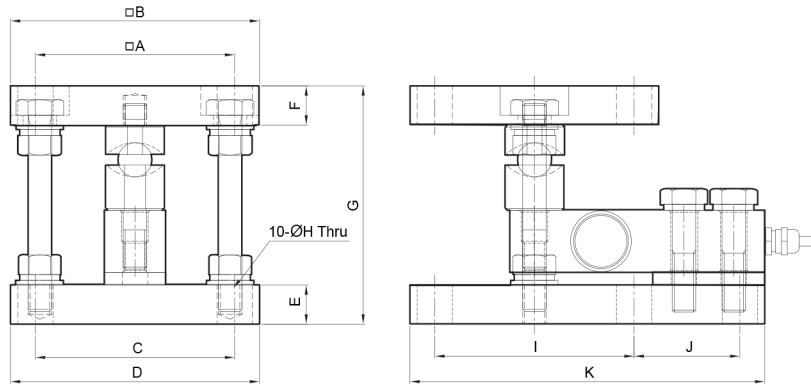
Accessory Dimensions

► BSS-TW



Capa.	A	B	C	D	E	F	G	H	I	J	K
500kgf-2tf	101.6	127	101.6	127	17.8	17.8	118.8	101.6	52.3	180.9	17
3-5tf	101.6	127	101.6	127	23.9	23.9	142.4	101.6	82.5	215.9	17

► BSS-TWE



Capa.	A	B	C	D	E	F	G	H	I	J	K
500kgf-2tf	101.6	127	101.6	127	20	20	121.8	18	101.6	53.9	180.9
3-5tf	101.6	127	101.6	127	24	26	156.15	18	101.6	88.9	215.9