

CC-NR

Noise Resistance
Canister Load Cell



Description

CC-NR is a canister type load cell of steel material with a strong electrical durability. Internal protection circuits provide protection against noise, surge, and lightning. Sealed pressure type of load cell suitable for rough industrial environments such as hoppers and tanks and silo scale.

Specifications

Capacity(R.L.)	kgf	20, 50, 100, 200, 300, 500, 1K, 2K, 3K, 5K, 10K, 20K	
Rated Output	mV / V	3.0±0.003	
Zero Balance	mV / V	0.0±0.03	
Accuracy Class	-	A	B
Non-Linearity	% R.O.	≤ 0.02	≤ 0.05
Hysteresis	% R.O.	≤ 0.02	≤ 0.05
Combined Error	% R.O.	≤ 0.02	≤ 0.05
Repeatability	% R.O.	≤ 0.01	≤ 0.02
Creep for 30min.	% R.O.	≤ 0.03	≤ 0.03
Return for 30min.	% R.O.	≤ 0.03	≤ 0.03
Resolution	-	≤ 1/5000	≤ 1/2000
Division	mV / V	0.0006	0.0015
Temperature Effect on	- Zero Value	%/10°C	≤ 0.03
	- Output Value	%/10°C	≤ 0.03
Excitation	- Recommended	V	10
	- Maximum	V	15
Resistance	- Input	Ω	350 ± 3.5
	- Output	Ω	350 ± 3.5
	- Insulation	MΩ	≥ 500
Compensated Temperature Range	°C	-10 to +40	
Operating Temperature Range	°C	-30 to +80	
Material & Plate	-	Steel / Coating	
Cable Specification	-	Ø8 x 4P x 5m / Ø8 x 4P x 10m (PVC)	
Safety Overload	% R.L.	150	
Electrical Character	- Over Voltage	V. %	75 AC/DC ±25%
	- RS	MHz	80 ~ 1000MHz, 10V/m
	- Surge	kV	±2

Features

- ▶ Pressure type
- ▶ Hermetically sealed structure
- ▶ Built-in noise and surge protection circuit
- ▶ CE Approval
- ▶ Designed according to IP67

Option

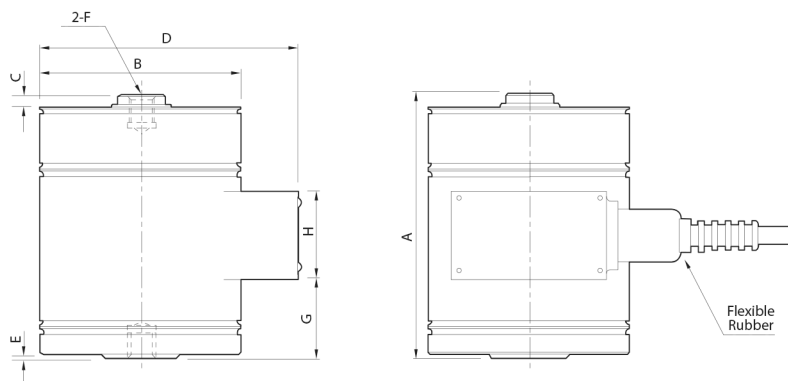
- ▶ Load Button Accessory
- ▶ Ball Type Accessory

Application

- ▶ Hoppers, Silos, Tanks

Dimensions

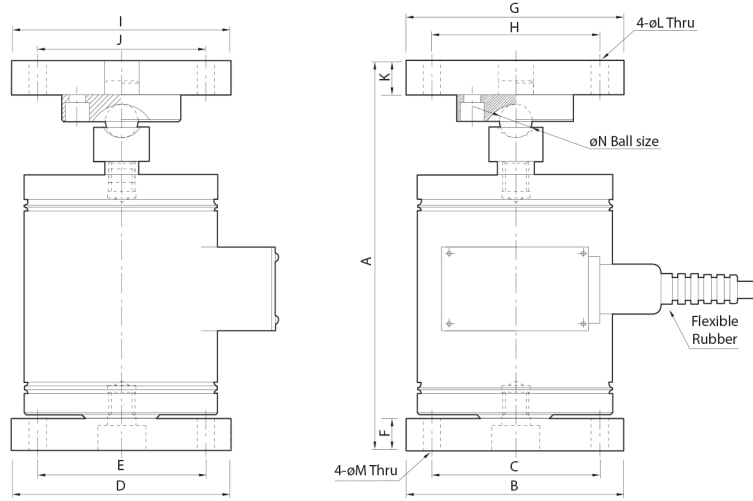
▶ CC-NR



Capa.	A	ØB	C	D	E	F	G	H	Cable(m)
20~100kgf	115	89	6	115	1.5	M12 x 1.25	38.5	38	5
200kgf~1tf	115	89	5	115	1.5	M12 x 1.25	35		
2~5tf	148	89	6	115	1.6	M24 x 2	38.6		
10tf	215	127	12	159	1.6	M39 x 2	97		10
20tf	290	165	16.2	199	1.6	M50 x 2	139.5		

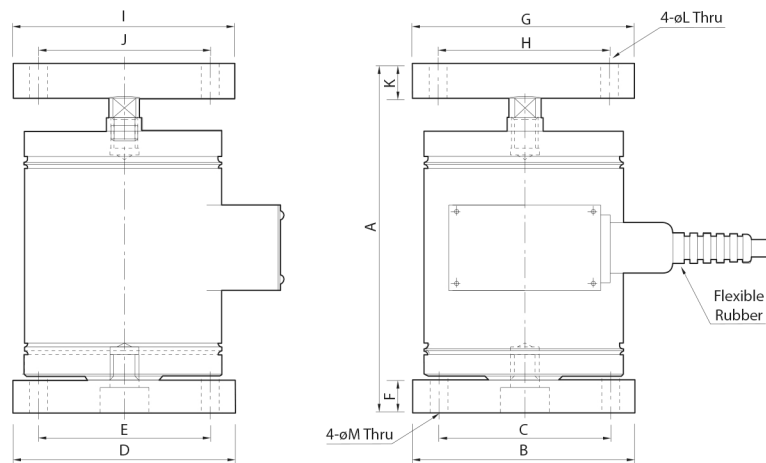
Accessory Dimensions

► CC (Ball Type)



Capa.	A	B	C	D	E	F	G	H	I	J	K	ØL	ØM	ØN
20kgf~1tf	177.4	100	77	100	77	15	100	77	100	77	15	8	8	17.4
2~5tf	253.75	130	105	130	105	23	130	105	130	105	23	12	12	31.75
10tf	334.75	160	125	160	125	30	130	105	130	105	23	12	14	31.75
20tf	409.75	200	150	200	150	30	130	105	130	105	23	12	14	31.75

► CC (Load Button Type)



Capa.	A	B	C	D	E	F	G	H	I	J	K	ØL	ØM
20kgf~1tf	153.7	100	77	100	77	15	100	77	100	77	15	8	8
2~5tf	210.3	130	105	130	105	23	130	105	130	105	23	12	12
10tf	303	160	125	160	125	30	160	125	160	125	30	14	14
20tf	375.5	200	150	200	150	30	200	150	200	150	30	14	14