

CHE-KM | Disk Load Cell



Features

- ▶ Compression Type
- ▶ hollow type
- ▶ Designed according to IP66

Application

- ▶ Compression Tester

Description

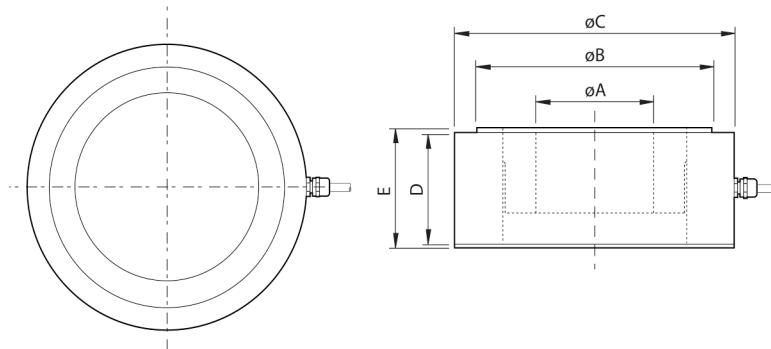
CHE-KM is a Center hole Disk type loadcell of aluminum material. As compressed type loadcell, it is suitable for various compress test and civil related tests

Specifications

Capacity(R.L.)		tf	6, 10, 20, 30
Rated Output	mV / V		1.0 ± 0.007
Zero Balance	mV / V		0.0 ± 0.02
Accuracy Class	-		-
Non-Linearity	% R.O.		≤ 1.0
Hysteresis	% R.O.		≤ 1.0
Combined Error	% R.O.		≤ 1.0
Repeatability	% R.O.		≤ 0.2
Creep for 30min.	% R.O.		≤ 0.015
Return for 30min.	% R.O.		≤ 0.015
Resolution	-		≤ 1/100
Division	mV / V		0.01
Temperature Effect on	-Zero Value	%/10°C	≤ 0.05
	-Output Value	%/10°C	≤ 0.05
Excitation	-Recommended	V	10
	-Maximum	V	15
Resistance	-Input	Ω	800 ± 20
	-Output	Ω	700 ± 7
	-Insulation	MΩ	> 2000
Compensated Temperature Range	°C		-10 to +40
Operating Temperature Range	°C		-30 to +80
Material & Plate	-		Load Cell Steel / Electroless Nickel Plating Housing Steel / Powder Coating
Cable Specification	-		Ø5.4 X 4P X 5.16 m(Urethane)
Safety Overload	% R.L.		150

Dimensions

▶ CHE-KM



Capa.	A	B	C	D	E	Cable(m)
6 tf	32.1	75	95	51	55	5.16
10 tf	32.1	90	105	51	60	
20 tf	72.1	160	190	74	80	
30 tf	72.1	160	190	74	80	