



CNT-1SH(R)-1(T/H sensor) CNT-1H(H. sensor)

※ Thank you for selecting our products.
 Please read carefully this instruction to reduce any damages or operation mistakes.
 Regarding the English - language manual, please download it at our homepage.

1 Model Composition

Model	Output	Sensor	Range	RS485 communi.
CNT-1H	1c 250Vac2A	HS220	10%~95 %Rh	-
CNT-1SH-1	1a 250Vac2A	CNT-Hseries	0%~100%Rh	-
CNT-1SHR-1	1a 250Vac2A	CNT-Hseries	0%~100%Rh	Available

2 Cautions for your safety

Please read the operating manual throughly before putting the device into operation
 ※ Product specifications and accessories may be changed at any time based on improvements and other reasons.

CAUTION

1. Pls use this item after installing the duplex safety device in which is applied at dangerous factors such as serious human injury or serious damages of property & important machine because this item is not designed as safety device
2. Do not checking or repairing when it is power on
3. Please check the terminal number before connecting power supply
4. Do not disassembling or opening, remodeling, repairing without any permission

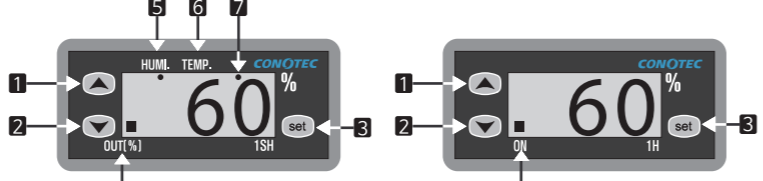
SAFETY

- Please read the operating manual through completely before putting the device into operation.
- We will not assume any responsibility for damage to assets or persons caused by improper handling or failure to observe the safety instructions or hazard warnings.
- For safety and licensing reasons, unauthorized conversion and/or modification of the device is not permitted.
- Do not exceed the maximum permissible current - in case of higher loads, use a contactor of adequate power. Make sure that the supplied voltage matches the values specified for the instrument.
- The device must be adequately protected from water and dust as per the application and must be accessible via the use of appropriate tools
- The device must not be exposed to extreme temperature, sunlight, strong vibrations or high levels of humidity.
- Operation or installation is not permitted under unfavorable ambient conditions such as wetness or excessive induction loads or solenoid and dust, combustible gases, vapors or solvents, especially high-frequency noise
- Avoid operation or installation close to high-frequency fields such as welding devices, sewing machines, wireless transmitter, radio systems, SCR controller, etc
- Do not install the sensor cable nearby signal cable, power cable, load cable
- Please use the shield cable when the sensor cable's lengthen, however do not make it too much longer
- Please use the sensor cable without any cutting or flaw, blemish.
- The device is not a toy and should be kept away from children
- Installation work must only be carried out by suitably qualified personnel who are familiar with the hazards involved and with the relevant regulations.
- You shouldn't tinker with anything or the product may not be opened or disassembled unless you know what you're doing. Please ask us about this questioning

Danger

- Caution, Danger of electric shock
- Electric shock - Do not touch AC board during on power because of electric shock.
 - Please intercept the input power surely when turn on power because of electric shock.

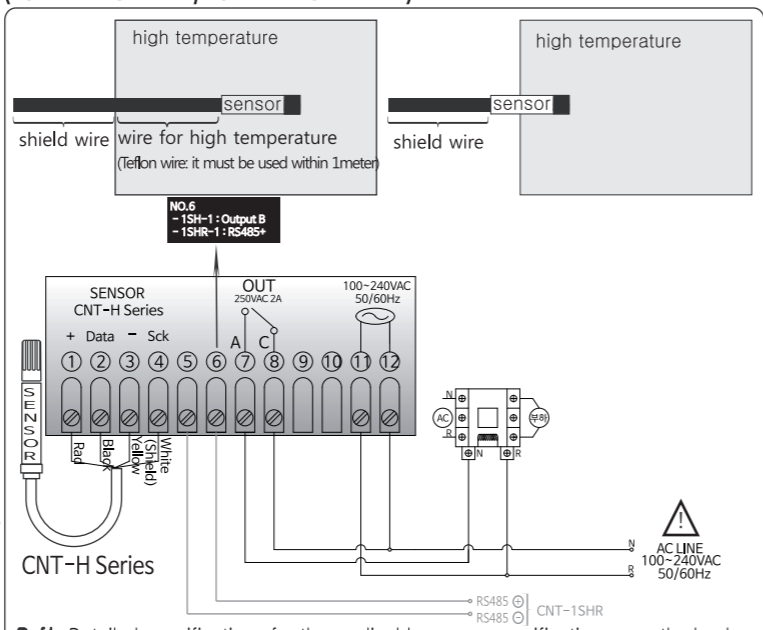
3 Part name



- 1 Setting(UP) 4 Output 7 Sensor communication status
 - 2 Setting(DOWN) 5 Humidity display(CNT-1SH(R)model)
 - 3 Setting key(SET) 6 Temperature display(CNT-1SH(R)model)
- CNT-1SH(R)-1: humidity display and cotrol + temperature display for the currency status display, there're 2 kinds of mode, as a switch of <UP(increase), DN(decrease)>, you can change the display like "Humi./Temp".
 CNT-1H : humidity display and control

4 Connection

< CNT-1SH-1 / CNT-1SHR-1 >

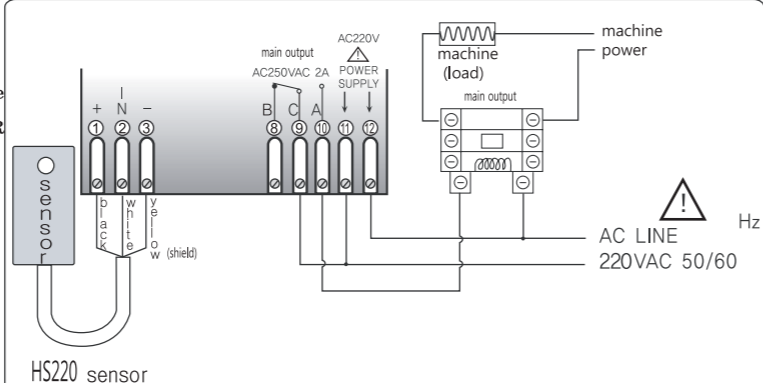


Ref1. Detailed specifications for the applicable sensor specifications, see the back of the '9. sensor's specifications'.

Caution1. Please make use of the shield wire when lengthening of the sensor wire, and in case of using in the high temperature range of 65°C~80°C, surely use the high temperature using wire(Teflon wiring).

Caution2. Please make the operating machine(load) be driven with using the power relay or magnet outside surely because its output specification of inside relay is less than 250VAC 2A

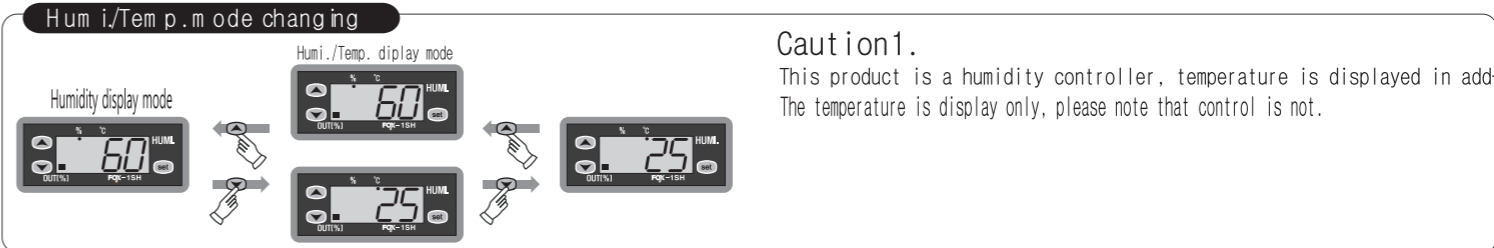
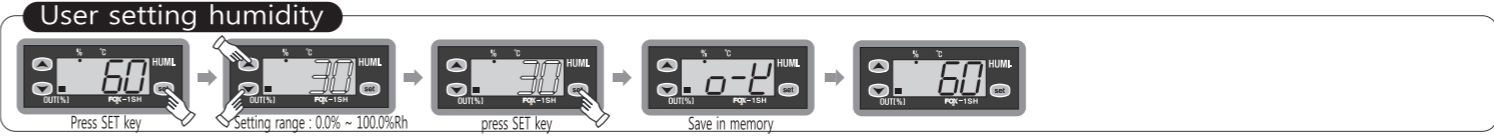
< CNT -1H >



Ref1. Detailed specifications for the applicable sensor specifications, see the back of the '10. sensor's specifications'.

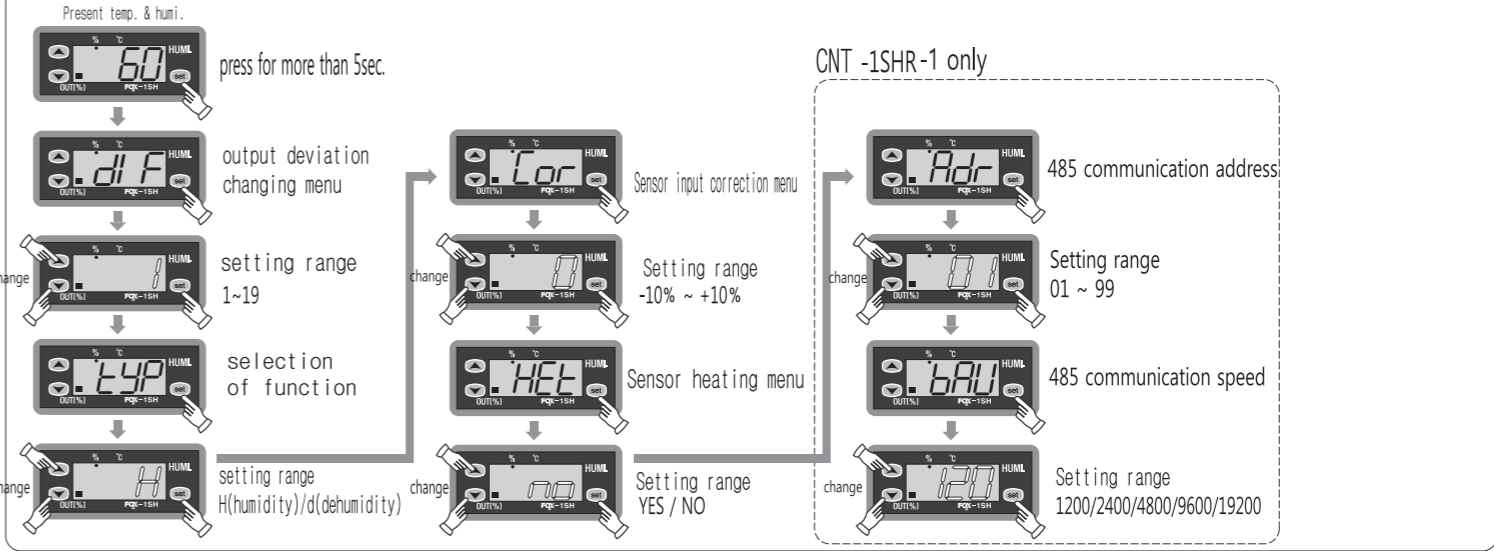
Caution2. Please make the operating machine(load) be driven with using the power relay or magnet outside surely because its output specification of inside relay is less than 250VAC 2A

5 Setting for programs (CNT - SH(R)-1)



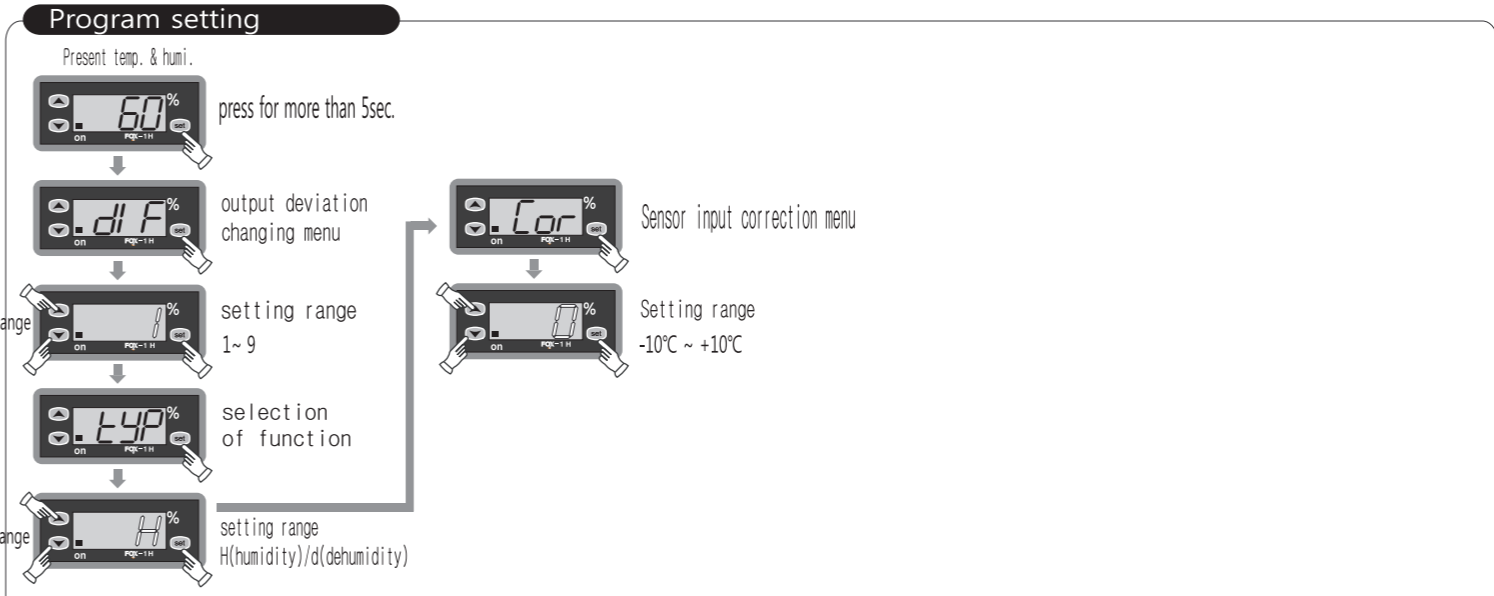
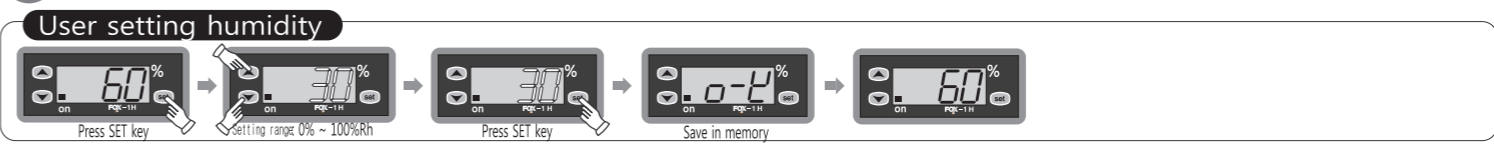
Caution1.
 This product is a humidity controller, temperature is displayed in add-ons. The temperature is display only, please note that control is not.

Program setting



Ref 1. If press for more than 5 sec in the current state, the program setting mode to enter.
 Ref 2. All the program after setting, if press for more than 3 sec or after 60 sec, automatically return to the current current of humidity display after displayed 0-K.

6 Setting for programs (CNT - 1H)



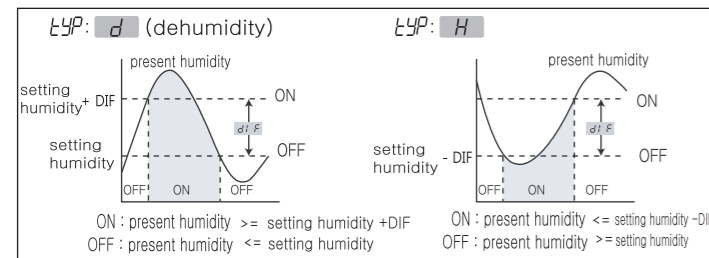
Ref 1. If press for more than 5 sec in the current state, the program setting mode to enter.
 Ref 2. All the program after setting, if press for more than 3 sec or after 60 sec, automatically return to the current current of humidity display after displayed 0-K.

7 Detailed explanation

1 *dIF* Setting for temperature deviation **CNT-1H CNT-1SH-1 CNT-1SHR-1**

In the ON/OFF control, it needs at regular interval between ON and OFF. By operating the ON/OFF control frequently, the relay or its output contact can be damaged quickly and it also occurs the hunting(oscillating, chattering) by virtue of external noise. You can make use of the temperature deviation in order to protect its relay or contact and so on.

2 *LYP* Selection for function **CNT-1H CNT-1SH-1 CNT-1SHR-1**



3 *Cor* Correction of the present humidity **CNT-1H CNT-1SH-1 CNT-1SHR-1**

Correction function for an discrepancy between the present's display value and the actual value(accurate value)
ex) An actual humidity value is 55.5%RH only, but the present humidity's display value was 57.5%RH
=> You may use this function and can correct the display's humidity value by -2.0%RH

Caution. Actual humidity is validated the performance and accurately calibrated by using the equipment to produce. If an inaccurate equipment calculated on the basis of the actual humidity calibration, it can be caused problems with product operation.

4 *HEE* Heating element for humidity sensor **CNT-1SH-1 CNT-1SHR-1**

It is possible to be covered with dew when the humidity is high, If the present humidity is 95%RH, it is generated heat inner its sensor in order to prevention of dew.

YES It is operated the heating function automatically if the humidity is more than 95%RH. It is removed it if the humidity is less than 95%RH

no The heating function will be prohibited.

Caution—It must be set up "NO" because the heating function can not be used for more than 95%RH

* R.F) The present temperature's display can be increased a little while operating of the humidity sensor's heating function

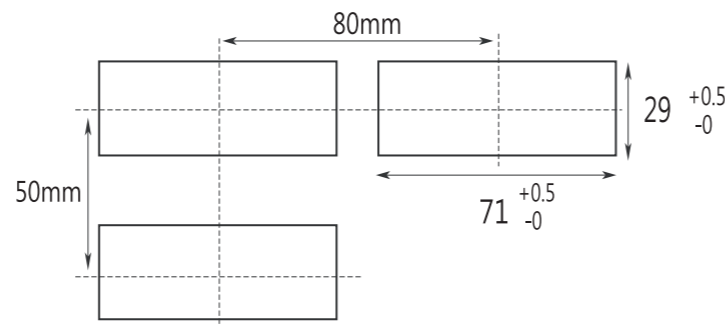
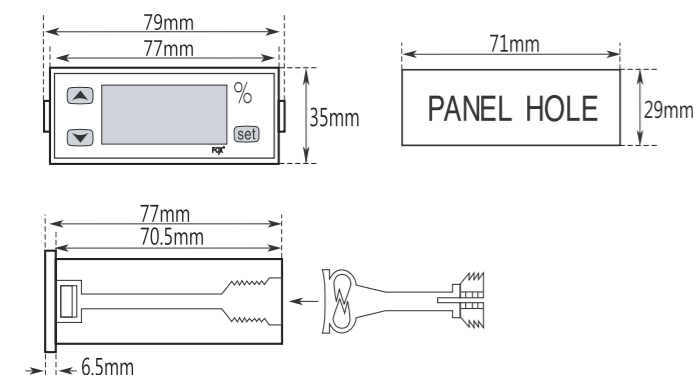
5 *Adr* RS485-communication address setting **CNT-1SHR-1**

The product CNT-1SH-1 supports RS485 communications. when communicating with the master device for mutual recognition is the ability to set the communication address.

6 *BAU* RS485-communication speed setting **CNT-1SHR-1**

when communicating with the master device to the exchange of accurate data must match the communication speed.

8 Size & dimension

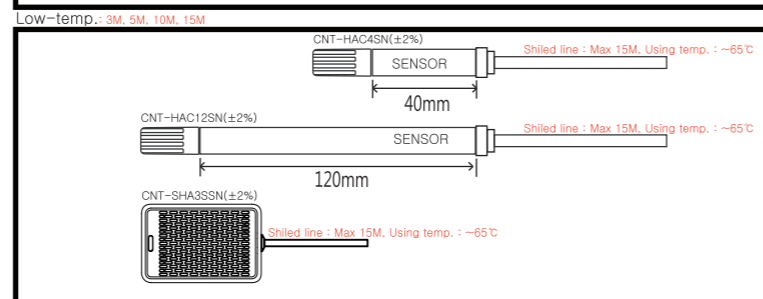
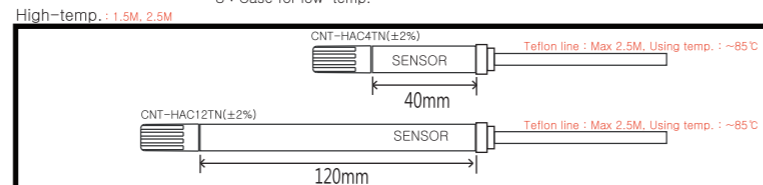
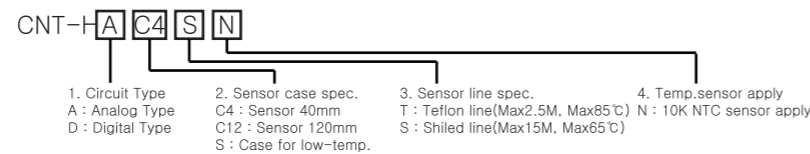


9 Setting range & Set value when deliver

Model	Function	Range	set value when deliver
CNT-1H CNT-1SH-1 CNT-1SHR-1	<i>dIF</i>	1H(1~9), 1SHR(1~19)	1
	<i>LYP</i>	H / d	H (humidity)
	<i>Cor</i>	-10 ~ +10	0
CNT-1SHR-1	<i>HEE</i>	YES / no	no
	<i>Adr</i>	01~99	01
CNT-1SHR-1	<i>BAU</i>	120 : 1200BPS	960(9600BPS)
		240 : 2400BPS	
		480 : 4800BPS	
		960 : 9600BPS	
		1920 : 1920BPS	

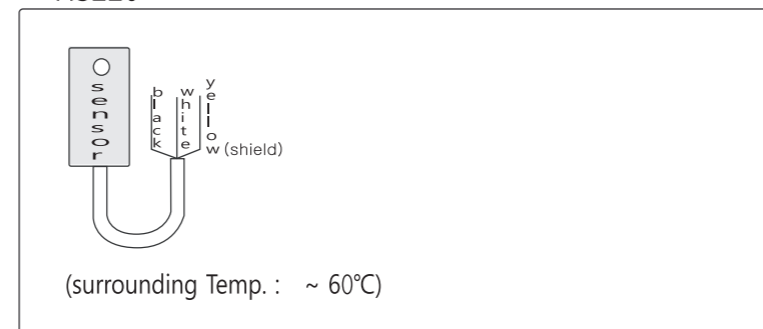
10 Sensor's specifications

< CNT-H Series > CNT-1SH(R)-1



* Standard length : 3M(CNT-HAC4N).

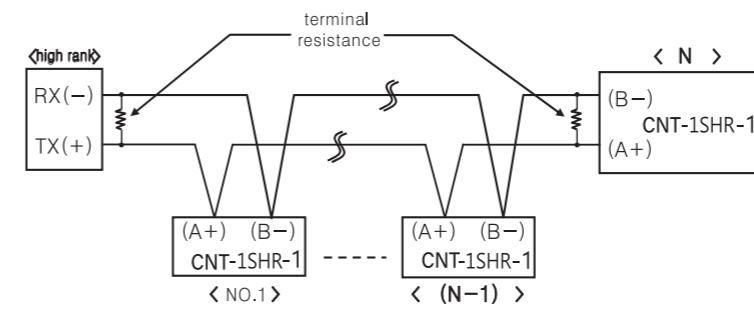
< HS220 > CNT-1H



11 Communication interface (CNT-1SHR-1)

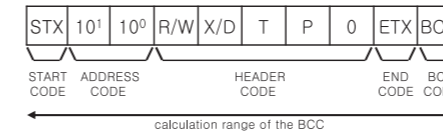
specification	in conformity EIA RS485
The method of communication	two wire half-duplex operation
synchronous system	asynchronous system
communication distance	within 1.2Km
communication speed	1200/2400/4800/9600/19200Bps
StartBit	fixed 1bit
StopBit	fixed 1bit
ParityBit	none
DataBit	fixed 8bit
Protocol	BCC

1 System

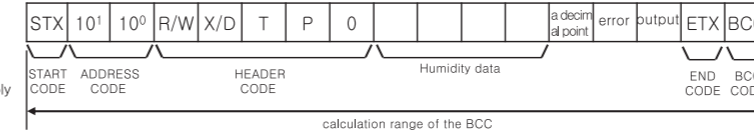


2 Definition between communication command and block

< Show the format of the command >



< Show the format of the response >



① START CODE

Show the lead(head) of the block
STX -> [02H]

② ADDRESS CODE

A high rank system can discriminates the channel code number among CNT-1SHR-1. It is available to set between 01 and 99(BCD ASCII)

③ HEADER CODE : Show the command name as an alphabetic letter

RX (reading demand) -> R[52H], X[58H]
RD (reading response) -> R[52H], D[44H]
WX (writing demand) -> W[57H], X[58H]
WD (writing response) -> W[57H], D[44H]
TPO (temperature measuring value) -> T[54H], P[50H], 0[30H]

④ Composition of data : Data is displayed as "Hexa decimal"

⑤ **Decimal point** - 0[30H] there is no "decimal point"

1[31H] there is "decimal point"

⑥ **Error**- 0[30H]: there is no "error"

1[31H]: interrupted of the sensor's cable

2[32H]: low error

3[33H]: high error

⑦ **Output**- 0[30H] :output OFF // 1[31H] :output ON

⑧ **END CODE** : show the end(close) of the block ETX -> [03H]

⑨ **BCC** : (Black Check Character)

Show the XOR arithmetic and logic values from the start(STX) to the ETX

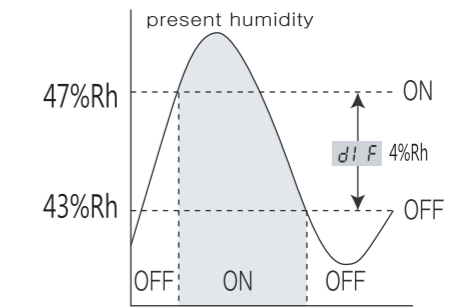
- the others : As of no response of the ACK
- ① in case of not equivalent to the channel after receiving STX
- ② in case of generating the receive buffer overflow
- ③ in case of not equivalent to the communication's set values or baud rate

- treatment : in case of no response of the ACK
- ① check the cable
- ② check the communication's condition(set values)
- ③ if the main cause of the status is the noise, try to do communication practicing 3times until recovering normally
- ④ change the communication speed in case of bring about the communication's error frequently

12 Application for humidity controller

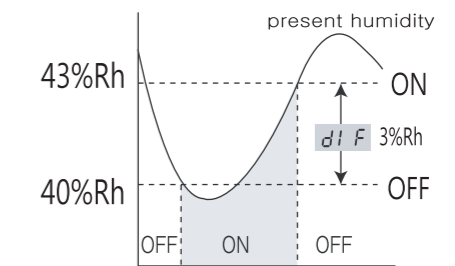
1 ex) a dehumidifier -> turn off at 43%RH, turn on at 47%RH
How to operate (setting for the humidity & programs) ?

User's setting humidity changing : 43%Rh Program setting *LYP*: d *dIF*: 4%Rh



2 ex) a humidifier -> turn off at 43%RH, turn on at 40%RH
How to operate (setting for the humidity & programs) ?

User's setting humidity changing : 43%Rh Program setting *LYP*: H *dIF*: 3%Rh



13 Error message

■ *E-1* - Memory error. Turn the power off and turn it on again.
If the error message persists, please request us A/S by return.

■ *E-2* - Sensor error. The sensor is interrupted. Check the cable.

■ *E-3* - Sensor error. The sensor is short-circuited. Check the cable.

* The product's specification can be changed without any notification to improve its quality.

* This device works proper operation with;

Surrounding Temp. : 0 C ~60 C

Surrounding Humi. : below 80 RH%

Regular power : 220VAC

■ Address : CONOTEC Co.,Ltd
56, Ballyongsandan 1-ro, Jangan-eup,
Gijang-gun, Busan, 46034 Rep. of KOREA

• C/S : 82-51-819-8277
• Website : www.conotec.co.kr
• Email : conotec@conotec.co.kr