

CTS-EXP

Explosion Proof
Canister Load Cell



Description

CTS-EXP is a stainless steel canister type load cell. Designed in explosion-proof structure, it is suitable for rough industrial environments such as explosion-proof hoppers, tanks and silos in blast-prone areas. The water-resistant structure of IP68 for stainless steel materials is ideal for humid environments.

Specifications

Capacity(R.L.)	kgf	200, 300, 500, 1K, 2K, 3K, 5K	
Rated Output	mV / V	3.0 ± 0.003	
Zero Balance	mV / V	0.0 ± 0.03	
Accuracy Class	-	A	B
Non-Linearity	% R.O.	≤ 0.02	≤ 0.05
Hysteresis	% R.O.	≤ 0.02	≤ 0.05
Combined Error	% R.O.	≤ 0.02	≤ 0.05
Repeatability	% R.O.	≤ 0.01	≤ 0.02
Creep for 30min.	% R.O.	≤ 0.03	≤ 0.03
Return for 30min.	% R.O.	≤ 0.03	≤ 0.03
Resolution	-	≤ 1/5000	≤ 1/2000
Division	mV / V	0.0006	0.00015
Temperature Effect on	-Zero Value -Output Value	%/10°C %/10°C	≤ 0.03 ≤ 0.03
Excitation	-Recommended -Maximum	V V	10 28
Resistance	-Input -Output -Insulation	Ω Ω MΩ	350 ± 3.5 350 ± 3.5 > 2000
Compensated Temperature Range	°C	-10 to + 40	
Operating Temperature Range	°C	-30 to + 80	
Material & Plate	-	Stainless Steel	
Cable Specification	-	Ø8 x 4P x 5m (Urethane)	
Safety Overload	% R.L.	150	

Features

- ▶ Tension/Pressure type
- ▶ Stainless Steel Material
- ▶ Hermetically sealed structure
- ▶ Explosion-proof structure
- ▶ Designed according to IP68

Option

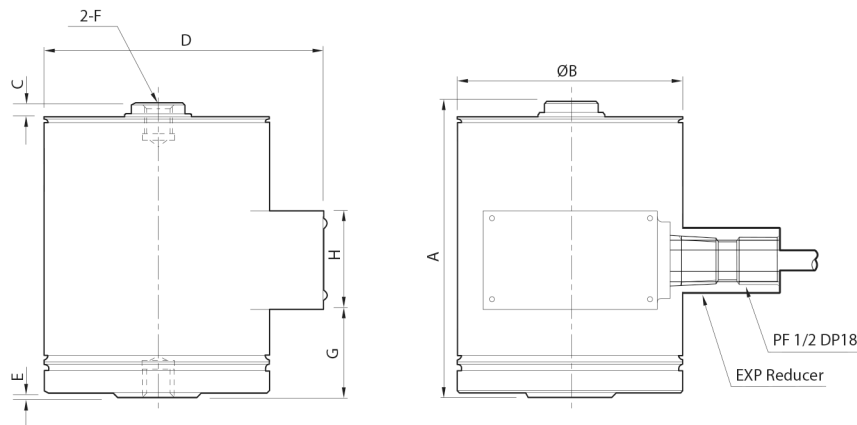
- ▶ Intrinsic safety explosion (Ex ia IIC T4, 500kgf~5tf)
- ▶ Explosion proof (Ex d IIC T4, 200kgf~5tf)
- ▶ Dust explosion (Ex tD A21 T135 °C IP66, 200kgf~5tf)
- ▶ Rod End Bearing Type Accessory
(500 kgf: M12 x 1.75)
(1 to 2 tf: M18 x 1.5)
- ▶ Ball type Accessory
- ▶ Load Button type Accessory

Application

- ▶ Hoppers, Tanks

Dimensions

- ▶ Intrinsic safety explosion, Explosion proof, Dust explosion

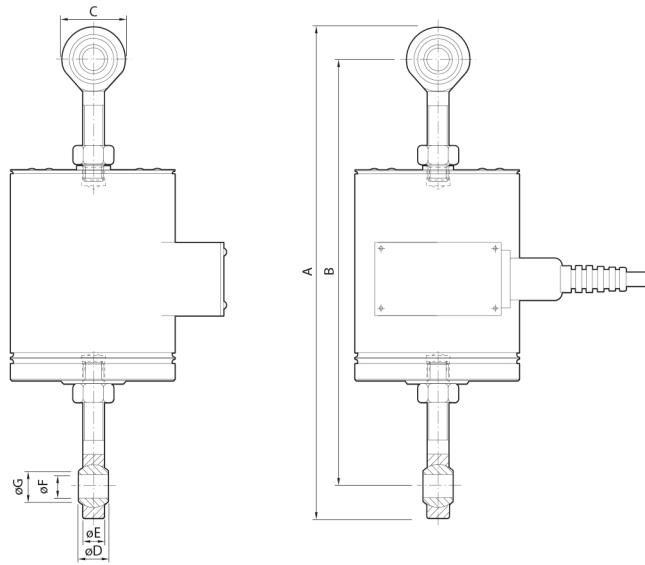


* Intrinsic safety explosion 500kgf~5tf

Capa.	A	B	C	D	E	F	G	H	Cable(m)
200kgf~1tf	115	89	5	115	1.5	M12 x 1.25	35	38	5
2~5tf	148	88	4	115	1.6	M24 x 2	55	38	

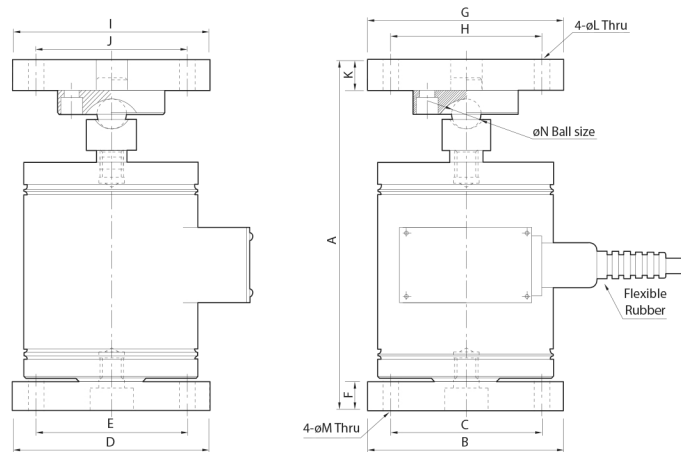
Accessory Dimensions

► CTS (Rod End Bearing)



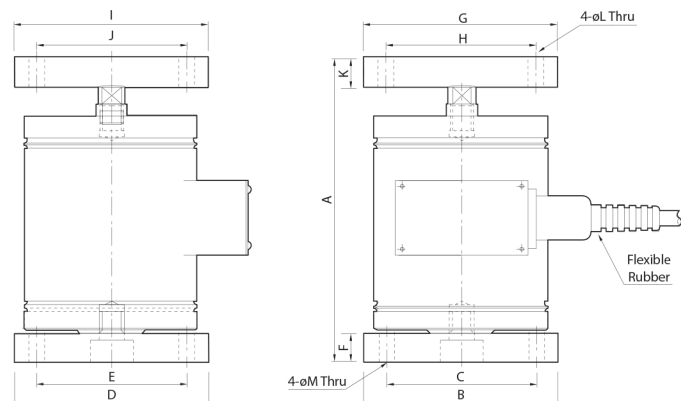
Capa.	A	B	C	D	E	ØF	ØG
200kgf~1tf	255 - 260	221 - 226	34	16	12	12	15.4
2~5tf	526 - 531	424 - 429	102	28	27	22	25.8

► CTS (Ball type)



Capa.	A	B	C	D	E	F	G	H	I	J	K	ØL	ØM	ØN
200kgf~1tf	177.4	100	77	100	77	15	100	77	100	77	15	8	8	17.4
2~5tf	253.75	130	105	130	105	23	130	105	130	105	23	12	12	31.75

► CTS (Load Button type)



Capa.	A	B	C	D	E	F	G	H	I	J	K	ØL	ØM
200kgf~1tf	153.7	100	77	100	77	15	100	77	100	77	15	8	8
2~5tf	210.3	130	105	130	105	23	130	105	130	105	23	12	12