

Model DPR

Panel Mounting Type Differential Low Pressure Gauge / Switch

Description

DPR model is ideal for the application (such as HVAC) with differential pressure, vacuum pressure, gauge pressure and especially low pressure of non-corrosive gases or air measured. Device for Low Pressure Gauge / Switch, which is using MICOM, improved Accuracy.

Features

- ▶ 3-1/2 digit LED display
- ▶ Panel Mounting Type
- ▶ Auto Zero
- ▶ 2Ch Relay Alarm output
- ▶ 1~5VDC, 0~10VDC, 4~20mA analog output (Adjustable Pressure Range)
- ▶ Measuring range 0~300..100kPa diff.
- ▶ 0.5~1.5%FS accuracy
- ▶ Piezoresistive silicon cell
- ▶ Use with non-corrosive, non-ionic media

Applications

- ▶ Airflow Measurement
- ▶ Room Static Pressure
- ▶ VAV Box
- ▶ Lab/Fume Hood Control
- ▶ Clean Room Control



Specifications

Range

0~300, 500, 750Pa 0~1 ... 100kPa
±300, ±500, ±750Pa, ±1 ... ±100kPa

Performance

Accuracy	±0.5%FS±1digit(≥1000Pa), ±1%FS±1digit(500, 750Pa), ±1.5%FS±1digit(300Pa)
Thermal Effect on Zero	±0.15%FS/°C(≥750Pa), ±0.2%FS/°C(500Pa), ±0.3%FS/°C(300Pa)
Thermal Effect on Span	±0.15%FS/°C(≥750Pa), ±0.2%FS/°C(500Pa), ±0.3%FS/°C(300Pa)
Compensated Temperature Range	0 ~ 50°C
Operating Temperature Range	-10 ~ 70°C

Electrical

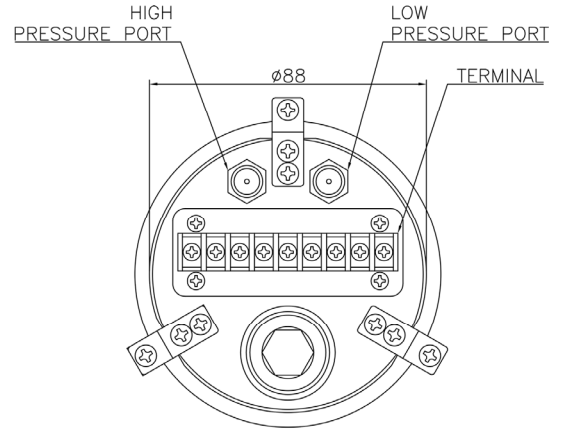
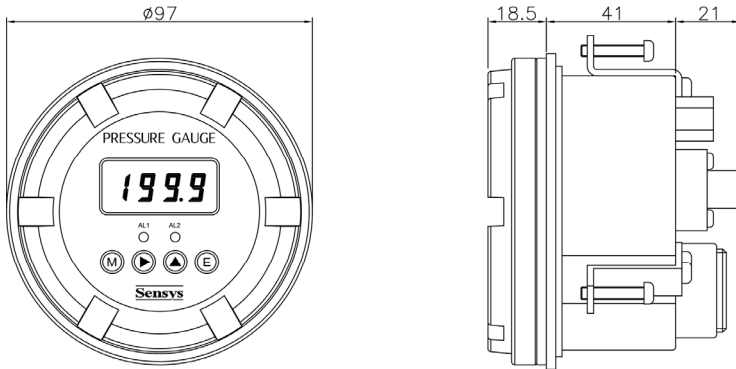
Display	3-1/2 Digit LED
Excitation	18~24VDC±10% or 100~240VAC(50/60Hz)
Output	
Switching Signal	2 RELAY(3A 30VDC / 3A 250VAC)
Analog Signal	1~5VDC or 0~10VDC or 4~20mA (Adjustable Pressure Range)
Electrical Connection	Terminal

Physical

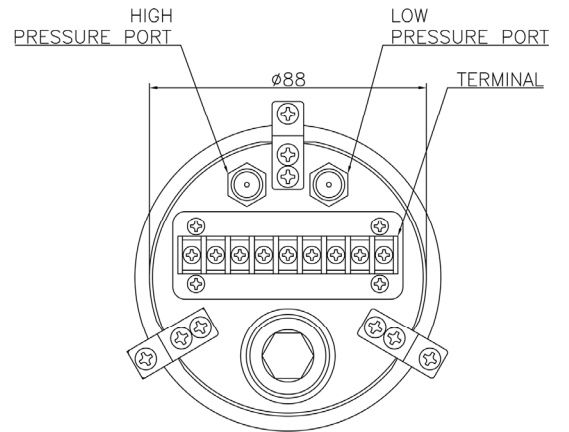
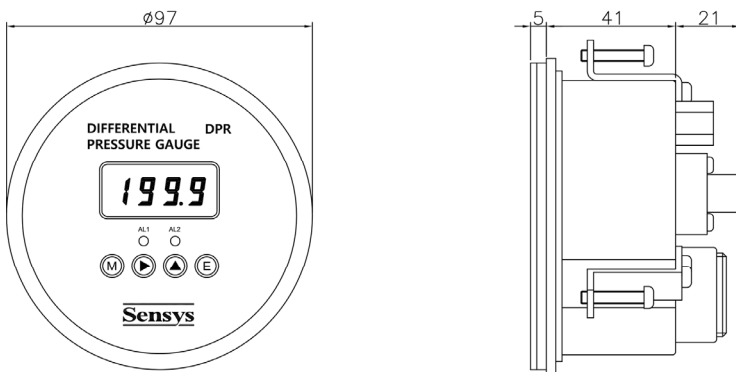
Proof Pressure	300%FS Max.
Burst Pressure	500%FS Min.
Pressure Port	R(PT) 1/8" (Female)
Media-Wetted Materials	Brass(Ni plated), SiO ₂ , Si Rubber
Mounting Hole	Ø89 (Optional Ø93)

Dimension

► Covered Type

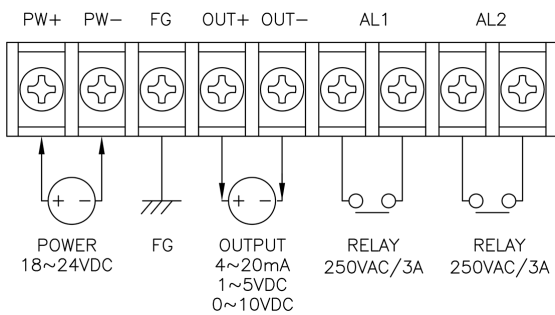


► Uncovered Type

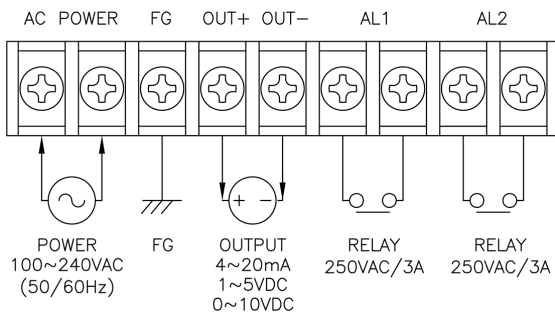


Connections

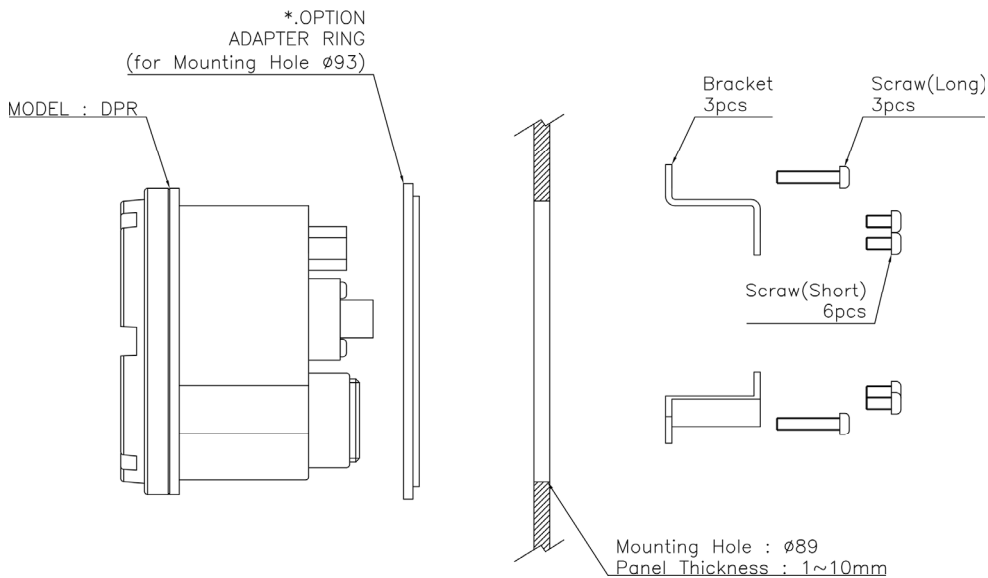
► Excitaton : 18~24VDC



► Excitaton : 100~240VAC

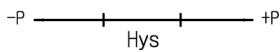
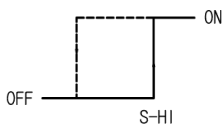


Mounting

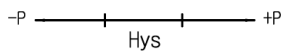
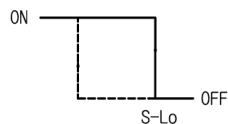


Alarm Mode

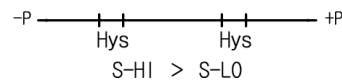
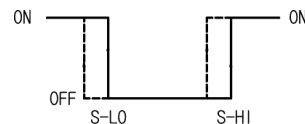
► Hi Mode



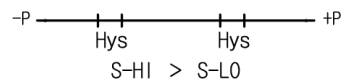
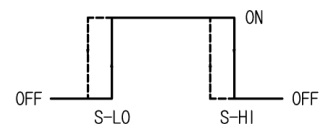
► Low Mode



► A Mode



► B Mode



Ordering Information

Model Name	DPR	D	0500	A	A	A	-	□	Option
Output									A : Adapter Ring ($\phi 93$)
D : 1~5V, Relay									Type
E : 1~5V									A : Covered Type
K : 0~10V, Relay									B : Uncovered Type
J : 0~10V									Excitation
F : 4~20mA, Relay									A : 18~24VDC
G : 4~20mA									B : 100~240VAC(50/60Hz)
Pressure Range									Pressure Unit
XXXX : 0~Range									A : Pa
CXXX : \pm Range									R : kPa
									D : mmH ₂ O