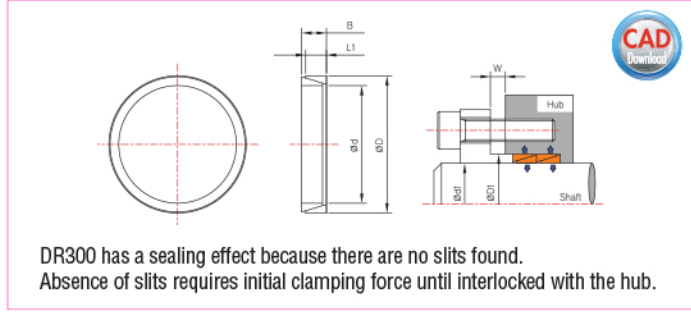


# DR300 (There are no slits found)

Order method

**DR300**-20×25  
Product No. d D



DR300 has a sealing effect because there are no slits found.  
Absence of slits requires initial clamping force until interlocked with the hub.

DR300/DR300C d×D	Dimension		Weight	Scale when using multi			
				× 1.0	× 1.55	× 1.85	× 2.02
	L1	B		W(Gap) When using multi Dimension			
mm	mm	mm	kg	Row 1	Row 2	Row 3	Row 4
				mm	mm	mm	mm
5×8	3.7	4.5	0.002	2.5	2.5	3.0	4.0
6×9	3.7	4.5	0.002	2.5	2.5	3.0	4.0
7×10	3.7	4.5	0.002	2.5	2.5	3.0	4.0
8×11	3.7	4.5	0.002	2.5	2.5	3.0	4.0
9×12	3.7	4.5	0.002	2.5	2.5	3.0	4.0
10×13	3.7	4.5	0.002	2.5	2.5	3.0	4.0
11×14	3.7	4.5	0.002	2.5	2.5	3.0	4.0
12×15	3.7	4.5	0.002	2.5	2.5	3.0	4.0
13×16	3.7	4.5	0.002	2.5	2.5	3.0	4.0
14×18	5.3	6.3	0.005	3.5	3.5	4.5	5.5
15×19	5.3	6.3	0.005	3.5	3.5	4.5	5.5
16×20	5.3	6.3	0.006	3.5	3.5	4.5	5.5
17×21	5.3	6.3	0.006	3.5	3.5	4.5	5.5
18×22	5.3	6.3	0.007	3.5	3.5	4.5	5.5
19×24	5.3	6.3	0.007	3.5	3.5	4.5	5.5
20×25	5.3	6.3	0.009	3.5	3.5	4.5	5.5
22×26	5.3	6.3	0.007	3.5	3.5	4.5	5.5
24×28	5.3	6.3	0.008	3.5	3.5	4.5	5.5
25×30	5.3	6.3	0.009	3.5	3.5	4.5	5.5
28×32	5.3	6.3	0.010	3.5	3.5	4.5	5.5
30×35	5.3	6.3	0.011	3.5	3.5	4.5	5.5
32×36	5.3	6.3	0.011	3.5	3.5	4.5	5.5
35×40	6.0	7.0	0.016	3.5	3.5	4.5	5.5
36×42	6.0	7.0	0.019	3.5	3.5	4.5	5.5
38×44	6.0	7.0	0.021	3.5	3.5	4.5	5.5
40×45	6.6	8.0	0.021	3.5	4.5	5.5	6.5
42×48	6.6	8.0	0.026	3.5	4.5	5.5	6.5
45×52	8.6	10.0	0.045	3.5	4.5	5.5	6.5
48×55	8.6	10.0	0.043	3.5	4.5	5.5	6.5
50×57	8.6	10.0	0.045	3.5	4.5	5.5	6.5
55×62	8.6	10.0	0.049	3.5	4.5	5.5	6.5
56×64	10.4	12.0	0.070	3.5	4.5	5.5	7.0
60×68	10.4	12.0	0.070	3.5	4.5	5.5	7.0
63×71	10.4	12.0	0.080	3.5	4.5	5.5	7.0
65×73	10.4	12.0	0.090	3.5	4.5	5.5	7.0
70×79	12.2	14.0	0.115	3.5	5.0	6.5	7.5
71×80	12.2	14.0	0.11	3.5	5.0	6.5	7.5
75×84	12.2	14.0	0.12	3.5	5.0	6.5	7.5
80×91	15.0	17.0	0.21	4.0	6.0	6.5	8.0
85×96	15.0	17.0	0.21	4.0	6.0	6.5	8.0
90×101	15.0	17.0	0.22	4.0	6.0	6.5	8.0
95×106	15.0	17.0	0.23	4.0	6.0	6.5	8.0
100×114	18.7	21.0	0.39	5.0	6.0	7.0	9.0