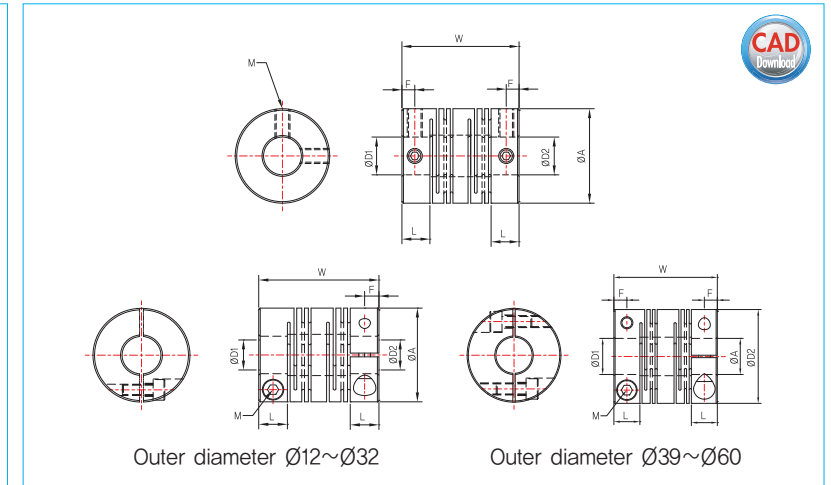


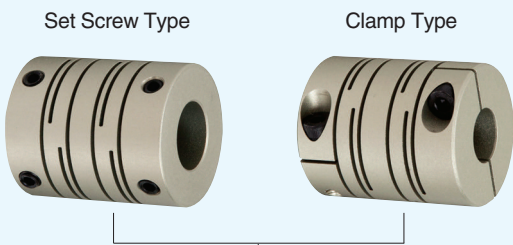


Features

- Completely integrated coupling with slit Type and Zero backlash.
- Forward and reverse are the same features and torsional rigidity is outstanding.
- Outstanding Oil-resistance and Anti-chemical.
- The plate spring formed with slit absorbs Eccentricity, declination and end play.
- A wide variety of choices in size.
- Using aluminum alloy with high stiffness (duralumin).

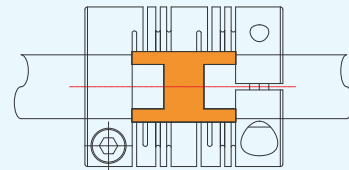


Structure & material

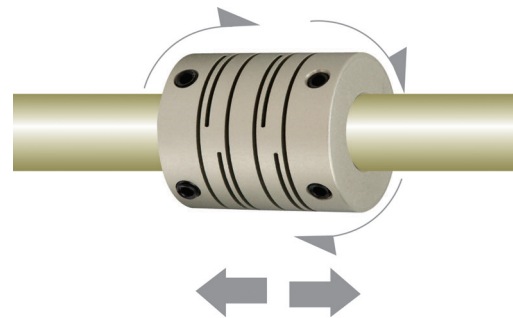


Material : Aluminum alloy with high stiffness
Surface treatment : Alumite process

Relief Type



Assembling is easy due to the unique structure regardless of the shaft because of the wide processing inside.



Usage

- Servo Motor
- Stepping Motor
- General wide use Motor
- Encoder

Others

- All products are included set screw and Cap screw.
- We can supply nonstandard Inner Diameter.
- We encourage h7 for tolerance of Inner Diameter.
- We can supply with Key seat.

Product NO.	Dimension(mm)				Tightening Screw		Rated Torque	Max. Torque	Max. RPM	Moment of Inertia	Torsional Stiffness	Angle	Parallel	End Play	Mass
	A	L	W	F	Size	Torque									
DRB-8	8	3.5	14	1.7	M2	0.3	0.1	0.2	78,000	1.2×10 ⁻⁸	25	2.5	0.10	0.2	1.4
DRB-12	12	4.5	19	1.9	M2.5	0.5	0.4	0.8	52,000	8.8×10 ⁻⁸	45	2.5	0.10	0.3	3.7
DRB-16	16	6.1	22	2.3	M3	0.7	0.5	1	39,000	2.8×10 ⁻⁷	80	2.5	0.15	0.4	8
DRB-19	19	6.1	23	2.8	M3	0.7	1	2	31,000	6.5×10 ⁻⁷	170	2.5	0.15	0.4	11
DRB-22	22	7.2	26	3.25	M4	1.7	1.5	3	27,000	1.4×10 ⁻⁶	220	2.5	0.15	0.4	18
DRB-25	25	7.4	31	3.4	M4	1.7	2	4	25,000	3.4×10 ⁻⁶	380	2.5	0.2	0.5	27
DRB-32	32	9.4	39	4.7	M5	4	4	8	19,000	9.4×10 ⁻⁶	500	2.5	0.25	0.5	55
DRB-39	39	16	56	6.8	M5	4	8	16	15,000	2.8×10 ⁻⁵	700	2.5	0.25	0.5	130
DRB-49	49	20	70	9.5	M6	7	16	32	12,000	1.0×10 ⁻⁴	1,800	2.5	0.25	0.5	280
DRB-60	60	19	88	9	M8	15	32	64	10,000	3.0×10 ⁻⁴	3,100	2.5	0.3	0.5	480
DRB-12C	12	5	19	2.5	M2	0.5	0.4	0.8	52,000	7.8×10 ⁻⁸	45	2.5	0.1	0.3	4
DRB-16C	16	6.1	22	3.05	M2.5	1	0.5	1	39,000	3.1×10 ⁻⁷	80	2.5	0.15	0.4	8.5
DRB-19C	19	6.1	23	3.05	M2.5	1	1	2	31,000	6.5×10 ⁻⁷	170	2.5	0.15	0.4	12
DRB-22C	22	7.2	26	3.6	M3	2	1.5	3	27,000	1.4×10 ⁻⁶	220	2.5	0.15	0.4	19
DRB-25C	25	7.4	31	3.7	M3	2	2	4	25,000	3.4×10 ⁻⁶	380	2.5	0.2	0.5	28
DRB-32C	32	9.4	39	4.7	M4	4	4	8	19,000	9.1×10 ⁻⁶	500	2.5	0.25	0.5	58
DRBL-32C	32	9.4	44	4.7	M4	4	4	8	17,000	1.1×10 ⁻⁵	500	2.5	0.25	0.5	75
DRB-39C	39	10.8	43	5.4	M5	8	8	16	15,000	2.1×10 ⁻⁵	700	2.5	0.25	0.5	100
DRBL-39C	39	13.6	56	6.8	M5	8	8	16	13,000	3.1×10 ⁻⁵	700	2.5	0.25	0.5	140
DRB-49C	49	15	63	7.5	M6	13	16	32	12,000	9.4×10 ⁻⁵	1,800	2.5	0.25	0.5	240
DRBL-49C	49	15	70	7.5	M6	13	16	32	11,000	1.0×10 ⁻⁴	1,800	2.5	0.25	0.5	260
DRB-60C	60	19	76	9.35	M8	30	32	64	10,000	2.5×10 ⁻⁴	3,100	2.5	0.3	0.5	410
DRBL-60C	60	19	88	9.35	M8	30	32	64	7,000	3.0×10 ⁻⁴	3,100	2.5	0.3	0.5	490

Mass and Moment of inertia are measured with max bore size.

Product NO.	Standard Inner diameter(D1, D2) (mm)																			
	2	3	4	5	6	6.35	8	9.525	10	11	12	14	15	16	18	19	20	22	24	25
DRB-8	•	•																		
DRB-12□		•	•	•																
DRB-16□		•	•	•	•	•	•													
DRB-19□			•	•	•	•	•	•												
DRB-22□				•	•	•	•	•	•											
DRB-25□				•	•	•	•	•	•	•										
DRB-32□					•	•	•	•	•	•	•									
DRB-39□								•	•	•	•	•								
DRB-49□									•	•	•	•	•	•	•	•				
DRB-60□												•	•	•	•	•	•	•	•	•