



Features

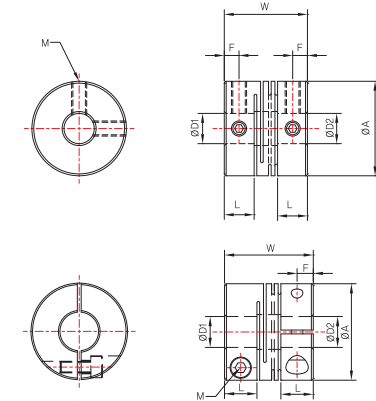
- Completely integrated coupling with Compact type.
- Zero backlash.
- The plate spring formed with slit absorbs Declination and end play.
- Don't allow eccentricity.
- Forward and reverse are the same features and Torsional rigidity is outstanding.
- Maintenance free and Outstanding Oil-resistance and anti-chemical.



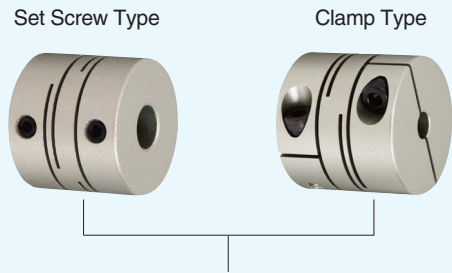
Set Screw Type



Clamp Type

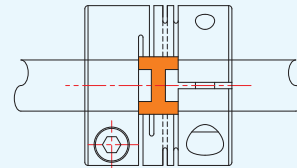


Structure & material



Material : Aluminum alloy with high stiffness
Surface treatment : Alumite process

Relief Type



Usage

- Servo motor
- Stepping motor
- General wide use motor
- Encoder

Others

- All products are included set screw and cap screw.
- We can supply nonstandard Inner Diameter.
- We encourage h7 for tolerance of Inner Diameter.
- We can supply with key seat.

Product NO.	Dimension(mm)				Tightening Screw		Rated Torque N · m	Max. Torque N · m	Max. RPM min ⁻¹	Moment of Inertia kg · m ²	Torsional Stiffness N · m/rad	Angle °	Parallel mm	End Play ± mm	Mass g
	A	L	W	F	Size M	Torque N · m									
DRBS-8	8	3.4	10	1.7	M2	0.3	0.1	0.2	78,000	1.0×10 ⁻⁸	25	1	0	0.1	1
DRBS-12	12.7	4.5	13	2.2	M2.5	0.5	0.4	0.8	52,000	7.4×10 ⁻⁸	80	1	0	0.15	3.4
DRBS-16	16	5.0	14	2.5	M3	0.7	0.5	1	39,000	2.9×10 ⁻⁷	180	1	0	0.2	6
DRBS-19	19	6.31	17	3.1	M3	0.7	1	2	31,000	5.0×10 ⁻⁷	200	1	0	0.2	10
DRBS-22	22	6.9	19	3.4	M4	1.7	1.5	3	27,000	1.1×10 ⁻⁶	350	1	0	0.2	14
DRBS-25	25	7.9	22	3.9	M4	1.7	2	4	25,000	2.5×10 ⁻⁶	780	1	0	0.2	22
DRBS-32	32	10.5	29	5.2	M5	4	4	8	19,000	7.5×10 ⁻⁶	1,100	1	0	0.2	45
DRBS-12C	12.7	5	14	2.5	M2	0.5	0.4	0.8	52,000	7.4×10 ⁻⁸	80	1	0	0.15	3.8
DRBS-16C	16	6	16	3.0	M2.5	1	0.5	1	39,000	2.9×10 ⁻⁷	180	1	0	0.2	6.5
DRBS-19C	19	6.31	17	3.1	M2.5	1	1	2	31,000	5.0×10 ⁻⁷	200	1	0	0.2	10
DRBS-22C	22	7.4	20	3.7	M3	2	1.5	3	27,000	1.1×10 ⁻⁶	350	1	0	0.2	15
DRBS-25C	25	8.4	23	4.2	M3	2	2	4	25,000	2.5×10 ⁻⁶	780	1	0	0.2	25
DRBS-32C	32	11	30	5.5	M4	4	4	8	19,000	7.5×10 ⁻⁶	1,100	1	0	0.2	50

Mass and Moment of inertia are measured with max bore size.

Product NO.	Standard Inner diameter(D1, D2) (mm)												
	2	3	4	5	6	6.35	8	9.525	10	11	12	14	15
DRBS-8	•	•											
DRBS-12□		•	•	•									
DRBS-16□		•	•	•	•	•							
DRBS-19□			•	•	•	•	•						
DRBS-22□				•	•	•	•	•	•				
DRBS-25□				•	•	•	•	•	•	•			
DRBS-32□					•	•	•	•	•	•	•	•	•