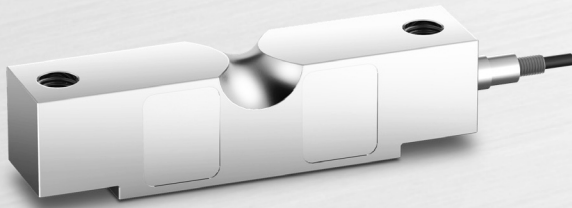


DSB1 | Double Ended Beam Load Cell



Description

DSB1 is nickel plated steel construction double ended type loadcell, which is suitable for high capacity hopper and tank scale, and truck scale.



Specifications

| Capacity(R.L.) | | klb | 10, 20, 25, 50, 60, 75 | |
|-------------------------------|---------------|--------|----------------------------|----------|
| Rated Output | mV / V | | 3.0 ± 0.0075 | |
| Zero Balance | mV / V | | 0.0 ± 0.03 | |
| Accuracy Class | - | | III L | - |
| Non-Linearity | % R.O. | | ≤ 0.03 | ≤ 0.05 |
| Hysteresis | % R.O. | | ≤ 0.03 | ≤ 0.05 |
| Combined Error | % R.O. | | ≤ 0.03 | ≤ 0.05 |
| Repeatability | % R.O. | | ≤ 0.015 | ≤ 0.03 |
| Creep for 30min. | % R.O. | | ≤ 0.02 | ≤ 0.05 |
| Return for 30min. | % R.O. | | ≤ 0.02 | ≤ 0.05 |
| Resolution | - | | ≤ 1/3000 | ≤ 1/2000 |
| Division | mV / V | | 0.001 | 0.0015 |
| Temperature Effect on | -Zero Value | %/10°C | ≤ 0.014 | ≤ 0.03 |
| | -Output Value | %/10°C | ≤ 0.011 | ≤ 0.02 |
| Excitation | -Recommended | V | 10 | |
| | -Maximum | V | 15 | |
| Resistance | -Input | Ω | 800 ± 40 | |
| | -Output | Ω | 700 ± 7 | |
| | -Insulation | MΩ | > 2000 | |
| Compensated Temperature Range | °C | | -10 to +40 | |
| Operating Temperature Range | °C | | -30 to +80 | |
| Material & Plate | - | | Steel | |
| Cable Specification | - | | Ø5.4 x 4P x 10m (Urethane) | |
| Safety Overload | % R.L. | | 150% R.L. | |

Features

- ▶ Designed according to IP67

Option

- ▶ DSB1 TW Accessory set
- ▶ Obtained NTEP C3 Approved

Accessory Features

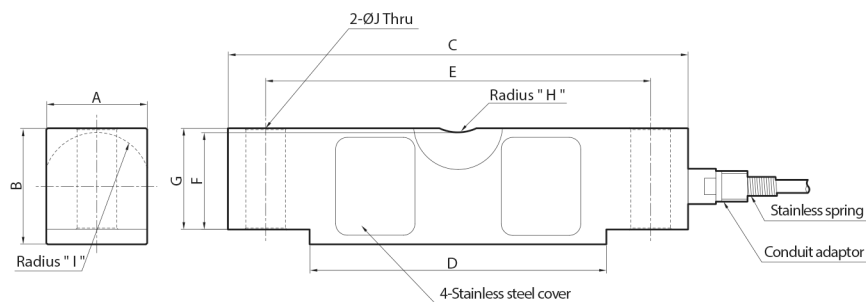
- ▶ Easy loadcell replacement
- ▶ Appropriate for tank and truck scale application
- ▶ High resolution by use of ball

Application

- ▶ Hopper, Tank Scale
- ▶ Tank Scale

Dimensions

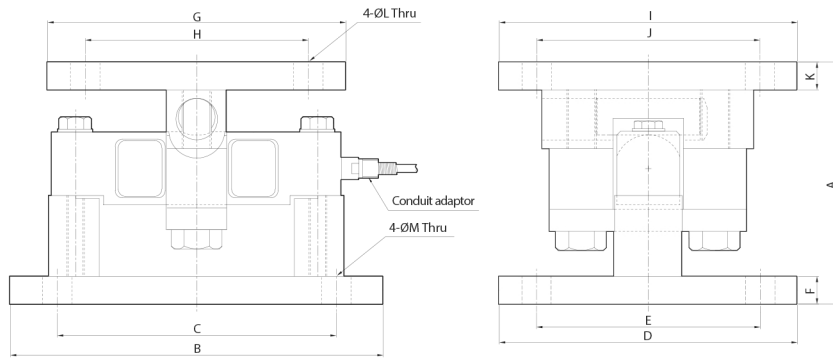
- ▶ DSB1



| Capa. | A | B | C | D | E | F | G | H | I | J | Cable(m) |
|----------|----|------|-------|-------|-----|------|------|----|----|----|----------|
| 10~25klb | 43 | 49.6 | 197 | 127 | 165 | 41.2 | 43.2 | 19 | 23 | 17 | 10 |
| 50~75klb | 62 | 74.7 | 260.6 | 160.6 | 216 | 64.4 | 67.3 | 26 | 35 | 27 | |

Accessory Dimensions

► DSB1



| Capa. | A | B | C | D | E | F | G | H | I | J | K | L | M |
|----------|-------|-----|-----|-----|-------|------|-----|-----|-----|-----|------|----|----|
| 10~25klb | 165 | 254 | 190 | 203 | 152.4 | 19 | 203 | 152 | 203 | 152 | 19 | 20 | 20 |
| 50~75klb | 241.8 | 356 | 292 | 254 | 190 | 24.5 | 230 | 165 | 230 | 165 | 25.4 | 29 | 29 |