

# DSBT (0.5tf~10tf)

## Double Ended Beam Load Cell

### Description

DSBV is a double ended type load cell with high capacity hopper and tank scale, truck scale. It is suitable. In addition, installation is simple and convenient through direct assembly of load cell and accessories.

### Specifications

Capacity(R.L.)	tf	0.5, 1.5, 3, 5, 10
Rated Output	mV / V	2.0 ± 0.1
Zero Balance	mV / V	0 ± 0.1
Accuracy Class	-	-
Non-Linearity	% R.O.	≤ 0.1
Hysteresis	% R.O.	≤ 0.1
Combined Error	% R.O.	≤ 0.1
Repeatability	% R.O.	≤ 0.03
Creep for 30min.	% R.O.	≤ 0.03
Return for 30min.	% R.O.	≤ 0.03
Resolution	-	1/1000
Division	mV / V	0.002
Temperature Effect on	-Zero Value -Output Value	%/10°C %/10°C
		± 0.05 ± 0.05
Excitation	-Recommended -Maximum	V V
		10 15
Resistance	-Input -Output -Insulation	Ω Ω MΩ
		350 ± 10 350 ± 3.5 2000
Compensated Temperature Range	°C	-10 to +40
Operating Temperature Range	°C	-30 to +80
Material & Plate	-	Steel
Cable Specification	-	Ø5.4 x 4P x 5m (PVC)
Safety Overload	% R.L.	150% R.L.

### Features

- ▶ Robust design and easy installation
- ▶ Strong against shock or side force
- ▶ Designed according to IP67

### Option

- ▶ Accessory Set

### Accessory Features

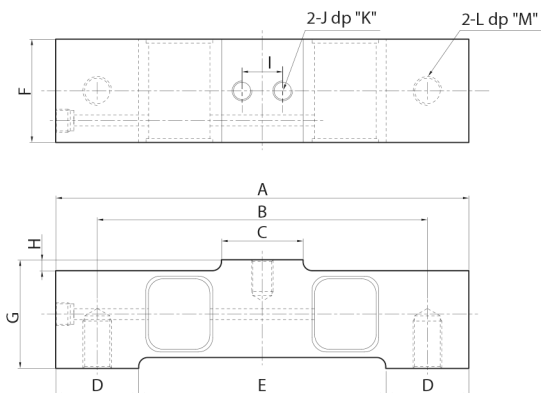
- ▶ Easy loadcell replacement
- ▶ Suitable for tank and truck scale

### Application

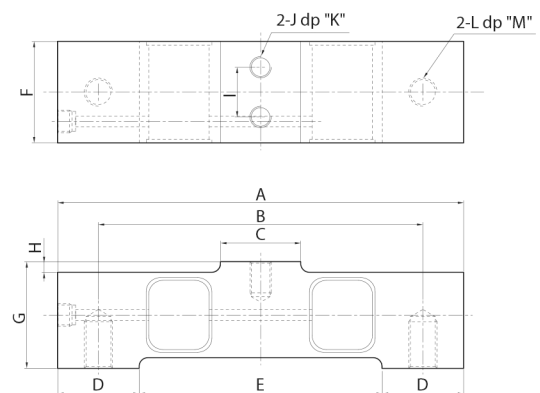
- ▶ Hopper, Tank Scale
- ▶ Tank Scale

### Dimensions

▶ DSBT (0.5tf~3tf)



▶ DSBT (5tf~10tf)

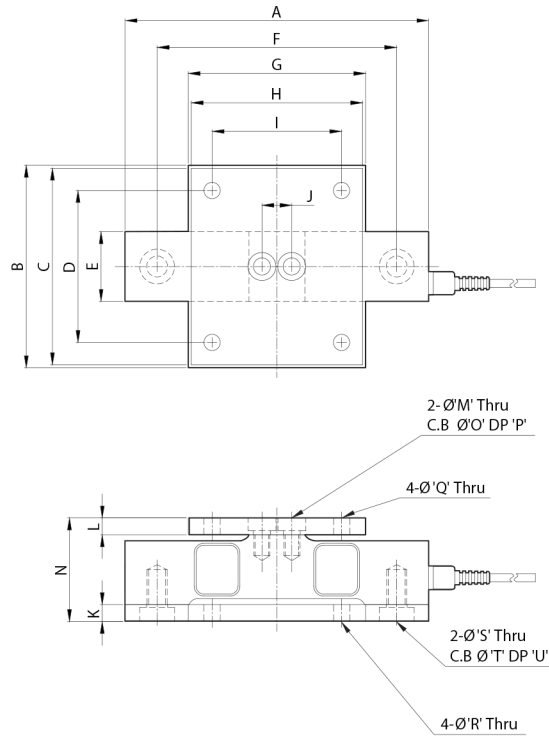


Capa.	A	B	C	D	E	F	G	H	I	J	K	L	M	Cable(m)
0.5tf	152.4	120.2	28	32.2	88	35	35	3	15	M8×1.25	13	M10×1.5	20	5
1.5tf	177.8	139.4	36	38.4	101	40	43	3	18	M8×1.25	13	M12×1.75	20	
2tf	165	138	35	25	115	32	30	1	16	M8×1.25	15	M10×1.5	20	
3tf	177.8	139.4	36	38.4	101	40	43	3	18	M8×1.25	13	M12×1.75	20	
5tf	228.6	182.8	45	45.8	137	57	60	6	28	M12×1.75	20	M16×2	24	
10tf	254	196.8	48	57	140	58	66	7	28	M16×2	24	M16×2	24	

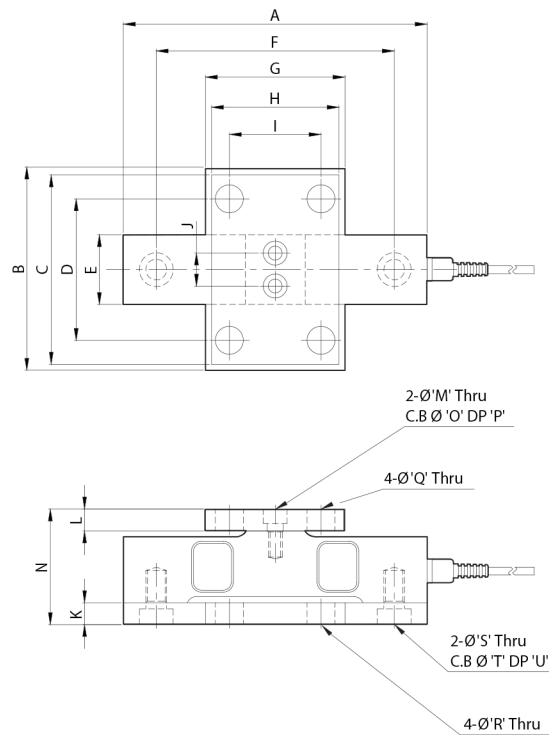
Double Ended Beam  
 Noise Resistance  
 Explosion Proof  
 Digital  
 Accessory

Accessory Dimensions

► DSBT (0.5tf ~ 3tf)



► DSBT (5tf ~ 10tf)



\* Upper and lower plates' fastening hole positions are same.  
 \* No upper plate fastening hole in 1.5tf one.

Capa.	A	B	C	D	E	F	G	H	I	J	K	L	N	M	O	P	Q	R	S	T	U	Cable (m)
0.5tf	152.4	101.6	98.6	76.2	35	120.2	89	89	65	15	8.5	8.5	52	8.5	14	6.5	8.2	8.2	10.5	17.5	7	5
1.5tf	177.8	114.3	70	92	40	139.4	101.6	101.6	79.2	18	10	10	63	8.5	14	7	-	10.2	12.5	22	7	
2tf	165	101.6	98.6	76.2	32	138	115	89	65	16	10.5	8.3	50.8	8.5	14	8.3	8.2	8.2	10.5	22	8	
3tf	177.8	114.3	114.3	92	40	139.4	101.6	101.6	79.2	18	10	10	63	8.5	14	7	10.2	10.2	12.5	22	7	
5tf	228.6	139.7	139.7	112.2	57	182.8	127	127	99.6	28	14.5	14.5	89	12.5	22	10	10.2	10.2	16.5	26	11.5	
10tf	254	165.2	165.2	128.6	58	196.8	139.8	139.8	106.2	28	19.5	19.5	105	16.5	26	13	12.7	12.7	16.5	26	13	