

DSBV | Double Ended Beam Load Cell



Description

DSBV is a double ended type load cell with high capacity hopper and tank scale, truck scale. It is suitable. In addition, installation is simple and convenient through direct assembly of load cell and accessories.

Specifications

| Capacity(R.L.) | tf | 1, 2, 3, 5, 10 | |
|-------------------------------|---------------|--------------------|----------|
| Rated Output | mV / V | 1.2 ± 0.12 | |
| Zero Balance | mV / V | 0 ± 0.02 | |
| Accuracy Class | - | - | |
| Non-Linearity | % R.O. | ≤ 0.05 | |
| Hysteresis | % R.O. | ≤ 0.05 | |
| Combined Error | % R.O. | ≤ 0.05 | |
| Repeatability | % R.O. | ≤ 0.03 | |
| Creep for 30min. | % R.O. | ≤ 0.03 | |
| Return for 30min. | % R.O. | ≤ 0.03 | |
| Resolution | - | ≤ 1/2000 | |
| Division | mV / V | 0.0006 | |
| Temperature Effect on | -Zero Value | %/10°C | ≤ 0.03 |
| | -Output Value | %/10°C | ≤ 0.03 |
| Excitation | -Recommended | V | 10 |
| | -Maximum | V | 15 |
| Resistance | -Input | Ω | 800 ± 40 |
| | -Output | Ω | 700 ± 7 |
| | -Insulation | MΩ | > 2000 |
| Compensated Temperature Range | °C | -10 to +40 | |
| Operating Temperature Range | °C | -30 to +80 | |
| Material & Plate | - | Steel | |
| Cable Specification | - | Ø8 x 4P x 5m (PVC) | |
| Safety Overload | % R.L. | 150% R.L. | |

Features

- ▶ Robust design and easy installation
- ▶ Strong against shock or side force
- ▶ Designed according to IP67

Option

- ▶ Accessory Set

Accessory Features

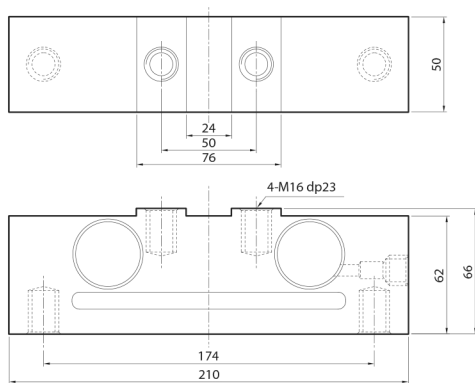
- ▶ Easy loadcell replacement
- ▶ Suitable for tank and truck scale

Application

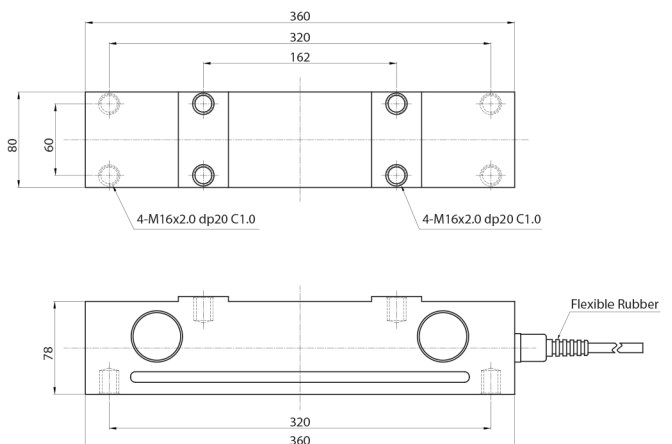
- ▶ Hopper, Tank Scale
- ▶ Tank Scale

Dimensions

▶ DSBV (1t ~ 3t)

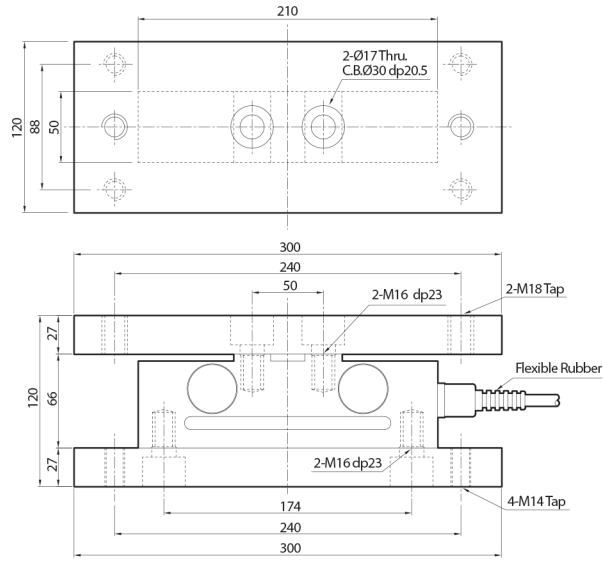


▶ DSBV (5t ~ 10t)



Accessory Dimensions

► DSBV (1t - 3t)



► DSBV (5t - 10t)

