



Online Data Sheet

Encoder WDG 145H

www.wachendorff-automation.com/wdg145h

Wachendorff Automation

... systems and encoders

- Complete systems
- Industrial rugged encoders to suit your application
- Standard range and customer versions
- Maximum permissible loads
- 48-hour express production
- Made in Germany
- Worldwide distributor network

Encoder WDG 145H



- Thru-bore encoder for direct installation on large electric motors
- Maximum mechanical and electrical safety
- Highly interference-resistant when used with frequency converters
- Meets protection class IP5, optional IP64
- Full connection protection with 10 VDC up to 30 VDC
- With light reserve warning

www.wachendorff-automation.com/wdg145h

Resolution	
Pulses per revolution PPR	up to 2500 PPR

Mechanical Data	
Housing	
Flange	hollow shaft (through-bored)
Flange material	aluminum
Housing cap	aluminum
Torque supports	incl. 3 torque supports WDGDS10001
- 1. Spring plate compensation	axial: ± 0.8 mm, radial: ± 0.2 mm
- 2. Cylinder pin 4 mm	needs accessories WDGDS10005
- Compensation	axial: ± 0.5 mm, radial: ± 1.5 mm, Max. operating speed: 800 rpm
Housing	\varnothing 145 mm

Shaft(s)	
Shaft material	stainless steel
Starting torque	approx. 1.5 Ncm at ambient temperature
Fixing	permanently attached clamping ring

Shaft	\varnothing 45 mm
Shaft length	L: 58 mm
Max. Permissible shaft loading radial	200 N
Max. Permissible shaft loading axial	100 N

Shaft	\varnothing 48 mm
Shaft length	L: 58 mm
Max. Permissible shaft loading radial	200 N
Max. Permissible shaft loading axial	100 N

Shaft	\varnothing 50 mm
Shaft length	L: 58 mm
Max. Permissible shaft loading radial	200 N
Max. Permissible shaft loading axial	100 N

Shaft	\varnothing 55 mm
Shaft length	L: 58 mm
Max. Permissible shaft loading radial	200 N

Max. Permissible shaft loading axial	100 N
--------------------------------------	-------

Shaft	\varnothing 60 mm
Shaft length	L: 58 mm
Max. Permissible shaft loading radial	200 N
Max. Permissible shaft loading axial	100 N

Shaft	\varnothing 65 mm
Shaft length	L: 58 mm
Max. Permissible shaft loading radial	200 N
Max. Permissible shaft loading axial	100 N

Shaft	\varnothing 72 mm
Shaft length	L: 58 mm
Max. Permissible shaft loading radial	200 N
Max. Permissible shaft loading axial	100 N

Bearings	
Bearings type	2 precision ball bearings
Nominale service life	3 x 10 ¹⁰ revs. at 100 % rated shaft load 4 x 10 ¹¹ revs. at 40 % rated shaft load 3 x 10 ¹² revs. at 20 % rated shaft load
Max. operating speed	1600 min ⁻¹ (with cylinder pin 800 min ⁻¹)

Machinery Directive: basic data safety integrity level	
MTTF _d	200 a
Mission time (TM)	25 a
Nominale service life (L10h)	3 x 10 ¹² revs. at 20 % rated shaft load and 1600 min ⁻¹ (with cylinder pin 800 min ⁻¹)
Diagnostic coverage (DC)	0 %

Electrical Data	
Power supply/Current consumption	4,75 VDC up to 5,5 VDC: typ. 70 mA
Power supply/Current consumption	10 VDC up to 30 VDC: typ. 70 mA

Output circuit	TTL TTL, RS422 compatible, inv. HTL HTL, inv.
Pulse frequency	TTL 2500 ppr: max. 200 kHz HTL 2500 ppr: max. 200 kHz
Channels	AB ABN and inverted signals
Load	max. 40 mA / channel
Circuit protection	circuit type G24, H24, I24, R24 only

Accuracy

Phase offset	90° ± max. 7.5 % of the period duration
pulse-/pause-ratio	50 % ± max. 7 %

General Data

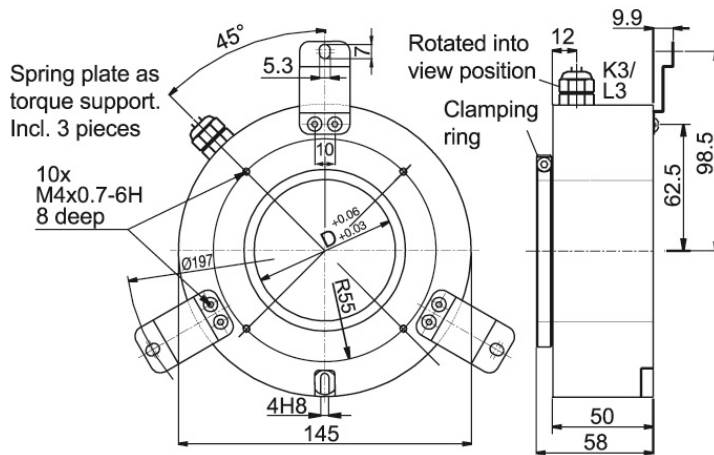
Weight	approx. 1700 g up to 2500 g
Connections	cable or connector, radial
Protection rating (EN 60529)	IP54
Operating temperature	-20 °C up to +80 °C
Storage temperature	-30 °C up to +80 °C

More Information

General technical data and safety instructions
<http://www.wachendorff-automation.com/gtd>

Options
<http://www.wachendorff-automation.com/acc>

Cable connection K3, L3 with 2 m cable

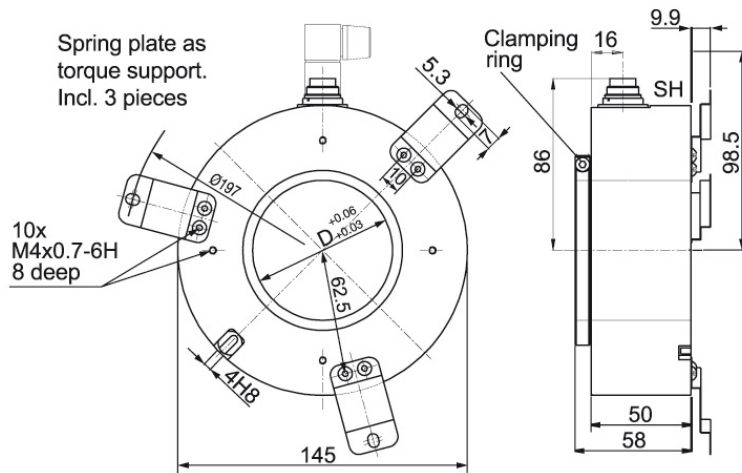


Description






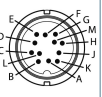
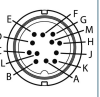
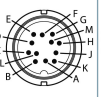
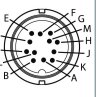
		ABN inv. poss.
K3	radial, shield not connected	•
L3	radial, shield connected to encoder housing	•

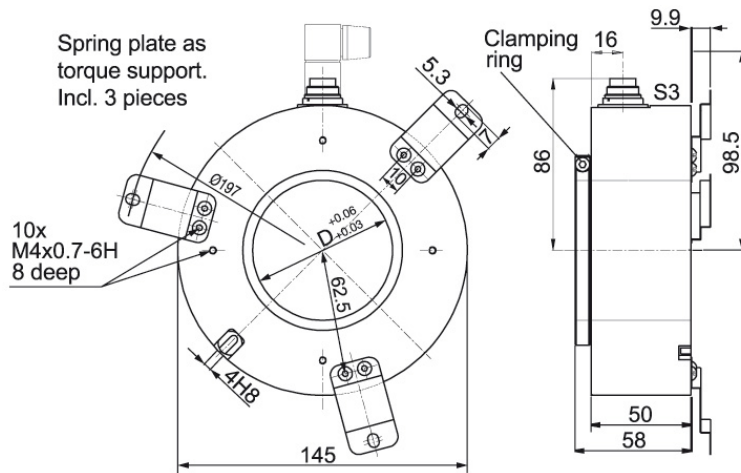
Assignments				
	K3, L3	K3, L3	K3, L3	K3, L3
Circuit	G05, G24	H05, H24	I05, I24	R05, R24
GND	WH	WH	WH	WH
(+) Vcc	BN	BN	BN	BN
A	GN	GN	GN	GN
B	YE	YE	YE	YE
N	GY	GY	GY	GY
Light reserve warning	PK	-	PK	-
A inv.	-	-	RD	RD
B inv.	-	-	BK, (BU at ACA)	BK, (BU at ACA)
N inv.	-	-	VT	VT
Shield	flex	flex	flex	flex

Connector (M16x0.75) SH, 5-, 6-, 8-, 12-pin



Description	ABN inv. poss.
SH5 radial, 5-pin, Connector connected to encoder housing	-
SH6 radial, 6-pin, Connector connected to encoder housing	-
SH8 radial, 8-pin, Connector connected to encoder housing	•
SH12 radial, 12-pin, Connector connected to encoder housing	•

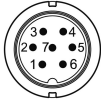

Assignments									
	SH5	SH6	SH6	SH8	SH8	SH12	SH12	SH12	SH12
	5-pin	6-pin	6-pin	8-pin	8-pin	12-pin	12-pin	12-pin	12-pin
									
Circuit	H05, H24	G05, G24	H05, H24	H05, H24	R05, R24	G05, G24	H05, H24	I05, I24	R05, R24
GND	1	6	6	1	1	K, L	K, L	K, L	K, L
(+) Vcc	2	1	1	2	2	M, B	M, B	M, B	M, B
A	3	2	2	3	3	E	E	E	E
B	4	4	4	4	4	H	H	H	H
N	5	3	3	5	5	C	C	C	C
Light reserve warning	-	5	-	-	-	G	-	G	-
A inv.	-	-	-	-	6	-	-	F	F
B inv.	-	-	-	-	7	-	-	A	A
N inv.	-	-	-	-	8	-	-	D	D
n. c.	-	-	5	6, 7, 8	-	A, D, F, J	A, D, F, G, J	J	G, J
Shield	-	-	-	-	-	-	-	-	-

Connector (M16x0.75) S3, 7-pin

Description

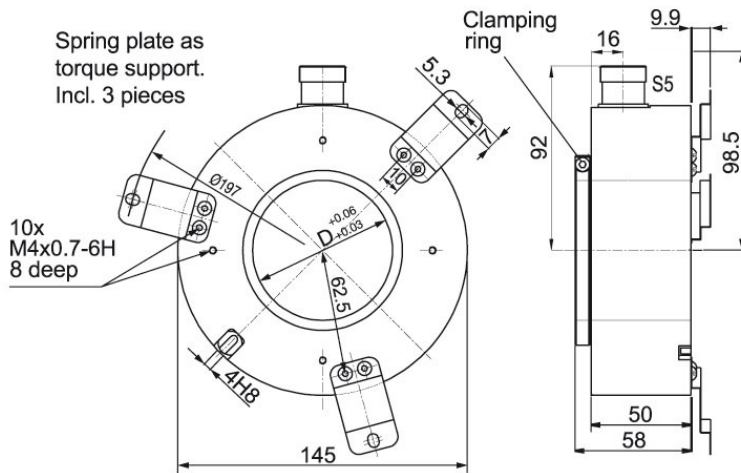
ABN inv. poss.

S3 radial, 7-pin, Connector connected to encoder housing

-

Assignments		
	S3	S3
	7-pin	7-pin
		
Circuit	G05, G24	H05, H24
GND	1	1
(+) Vcc	2	2
A	3	3
B	4	4
N	5	5
Light reserve warning	6	-
A inv.	-	-
B inv.	-	-
N inv.	-	-
n. c.	7	6, 7
Shield	-	-

Connector (M23) S5, 12-pin

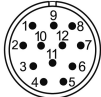
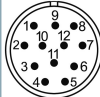
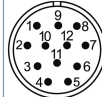
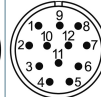


Description

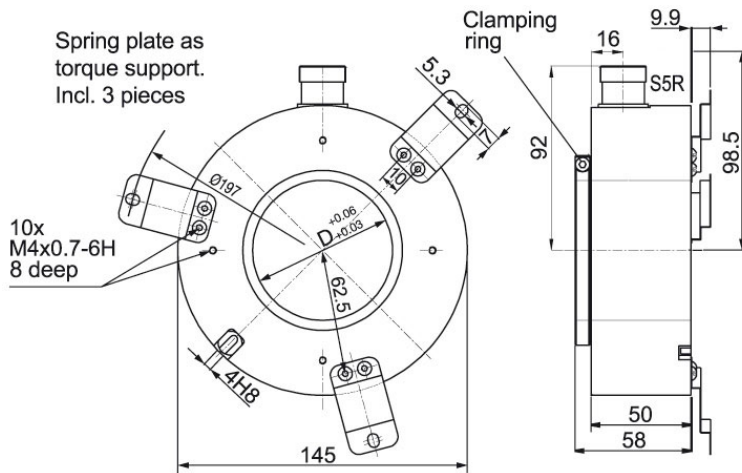
ABN inv. poss.

S5 radial, 12-pin, Connector connected to encoder housing

•

Assignments				
	S5	S5	S5	S5
	12-pin	12-pin	12-pin	12-pin
				
Circuit	G05, G24	H05, H24	I05, I24	R05, R24
GND	10	10	10	10
(+) Vcc	12	12	12	12
A	5	5	5	5
B	8	8	8	8
N	3	3	3	3
Light reserve warning	11	-	11	-
A inv.	-	-	6	6
B inv.	-	-	1	1
N inv.	-	-	4	4
n. c.	1, 2, 4, 6, 7, 9	1, 2, 4, 6, 7, 9, 11	2, 7, 9	2, 7, 9, 11
Shield	-	-	-	-

Connector (M23) S5R, 12-pin (clockwise)

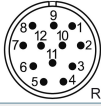
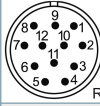
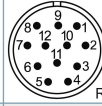
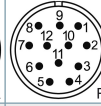


Description

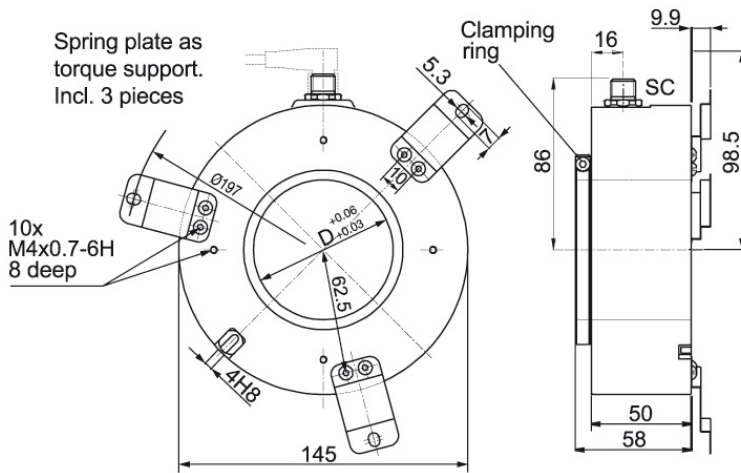
ABN inv. poss.

S5R radial, 12-pin, Connector connected to encoder housing

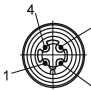
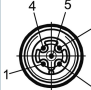
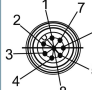
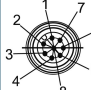
•

Assignments				
	S5R	S5R	S5R	S5R
	12-pin	12-pin	12-pin	12-pin
				
Circuit	G05, G24	H05, H24	I05, I24	R05, R24
GND	10	10	10	10
(+) Vcc	12	12	12	12
A	5	5	5	5
B	8	8	8	8
N	3	3	3	3
Light reserve warning	11	-	11	-
A inv.	-	-	6	6
B inv.	-	-	1	1
N inv.	-	-	4	4
n. c.	1, 2, 4, 6, 7, 9	1, 2, 4, 6, 7, 9, 11	2, 7, 9	2, 7, 9, 11
Shield	-	-	-	-

Sensor-connector (M12x1) SC, 4-, 5-, 8-pin



Description	ABN inv. poss.
SC4 radial, 4-pin, Connector connected to encoder housing	-
SC5 radial, 5-pin, Connector connected to encoder housing	-
SC8 radial, 8-pin, Connector connected to encoder housing	•

Assignments				
	SC4	SC5	SC8	SC8
	4-pin	5-pin	8-pin	8-pin
				
Circuit	H05, H24	H05, H24	H05, H24	R05, R24
GND	3	3	1	1
(+) Vcc	1	1	2	2
A	2	4	3	3
B	4	2	4	4
N	-	5	5	5
Light reserve warning	-	-	-	-
A inv.	-	-	-	6
B inv.	-	-	-	7
N inv.	-	-	-	8
n. c.	-	-	6, 7, 8	-
Shield	-	-	-	-

Options

IP64 all around

The encoder WDG 145H can be supplied in a full IP64 version.

Order key

AEK

Max. RPM: 500 rpm

Starting-torque: approx. 5 Ncm at ambient temperature, approx. 1.416 in-ozf at ambient temperature

Cable length

The encoder WDG 145H can be supplied with more than 2 m cable. The maximum cable length depends on the supply voltage and the frequency; see www.wachendorff-automation.com/atd

Please extend the standard order code with a three figure number, specifying the cable length in decimetres.

Example: 5 m cable = 050

Order key

XXX = Decimeter

Example Order No.	Type					Your encoder
WDG 145H	WDG 145H					WDG 145H
	Bore size					
65	45; 48; 50; 55; 60; 65; 72					
	Pulses per revolution PPR:					
1024	1024, 2500 Other PPRs on request					
	Channels:					
ABN	AB, ABN					
	Output circuit					
G24	Resolution PPR	Power supply VDC	Output circuit	Light reserve warning	Order key	
	1024, 2500	4.75 - 5.5	TTL	•	G05	
		4.75 - 5.5	TTL	-	H05	
		4.75 - 5.5	TTL, RS422 comp., inverted	•	I05	
		4.75 - 5.5	TTL, RS422 comp., inverted	-	R05	
		10 - 30	HTL	•	G24	
		10 - 30	HTL	-	H24	
		10 - 30	HTL inverted	•	I24	
10 - 30		HTL inverted	-	R24		
	Electrical connections					
K3	Description			ABN inv. poss.	Order key	
	Cable: length (2 m standard, WDG 58T: 1 m)					
	radial, shield not connected			•	K3	
	radial, shield connected to encoder housing			•	L3	
	Connector: (shield connected to encoder housing)					
	connector, M16x0.75, 5-pin, radial			-	SH5	
	connector, M16x0.75, 6-pin, radial			-	SH6	
	connector, M16x0.75, 8-pin, radial			•	SH8	
	connector, M16x0.75, 12-pin, radial			•	SH12	
	connector, M16x0.75, 7-pin, radial			-	S3	
	connector, M23, 12-pin, radial			•	S5	
	connector, clockwise pin count, M23, 12-pin, radial			•	S5R	
	sensor-connector, M12x1, 4-pin, radial			-	SC4	
	sensor-connector, M12x1, 5-pin, radial			-	SC5	
sensor-connector, M12x1, 8-pin, radial			•	SC8		
	Options					
	Description			Order key		
	IP64			AEK		
	Without option			Empty		
	Cable length			XXX = Decimeter		

Example Order No.=	WDG 145H	65	1024	ABN	G24	K3			WDG 145H						Your encoder
---------------------------	----------	----	------	-----	-----	----	--	--	----------	--	--	--	--	--	---------------------



For further information please contact our local distributor.
Here you find a list of our distributors worldwide.
<https://www.wachendorff-automation.com/>



Wachendorff Automation GmbH & Co. KG
Industriestrasse 7 • 65366 Geisenheim
Germany

Phone: +49 67 22 / 99 65 25
Fax: +49 67 22 / 99 65 70
E-Mail: wdg@wachendorff.de
www.wachendorff-automation.de

