



# Online Data Sheet

## Encoder WDG 40A

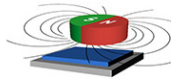
[www.wachendorff-automation.com/wdg40am](http://www.wachendorff-automation.com/wdg40am)

### Wachendorff Automation

#### ... systems and encoders

- Complete systems
- Industrial rugged encoders to suit your application
- Standard range and customer versions
- Maximum permissible loads
- 48-hour express production
- Made in Germany
- Worldwide distributor network

# Encoder WDG 40A (magnetic)



- Robust and economical encoder with small dimensions
- Protection to IP67, shaft sealed to IP65
- Optional:  
Protection to IP67 all around  
-40 °C up to +80 °C

[www.wachendorff-automation.com/wdg40am](http://www.wachendorff-automation.com/wdg40am)

Resolution	
Pulses per revolution PPR	up to 1024 PPR

Mechanical Data	
Housing	
Flange	Servo flange
Flange material	aluminum
Housing cap	aluminum, powder coated
Housing	Ø 40 mm
Cam mounting	pitch 51 mm

Shaft(s)	
Shaft material	stainless steel
Starting torque	approx. 0.2 Ncm at ambient temperature
Shaft	Ø 6 mm
Shaft length	L: 11.5 mm
Max. Permissible shaft loading radial	80 N
Max. Permissible shaft loading axial	50 N

Bearings	
Bearings type	2 precision ball bearings
Nominal service life	1 x 10 <sup>9</sup> revs. at 100 % rated shaft load 1 x 10 <sup>10</sup> revs. at 40 % rated shaft load 1 x 10 <sup>11</sup> revs. at 20 % rated shaft load
Max. operating speed	12000 rpm

Machinery Directive: basic data safety integrity level	
MTTF <sub>d</sub>	200 a
Mission time (TM)	25 a
Nominal service life (L10h)	1 x 10 <sup>11</sup> revs. at 20 % rated shaft load and 12000 rpm
Diagnostic coverage (DC)	0 %

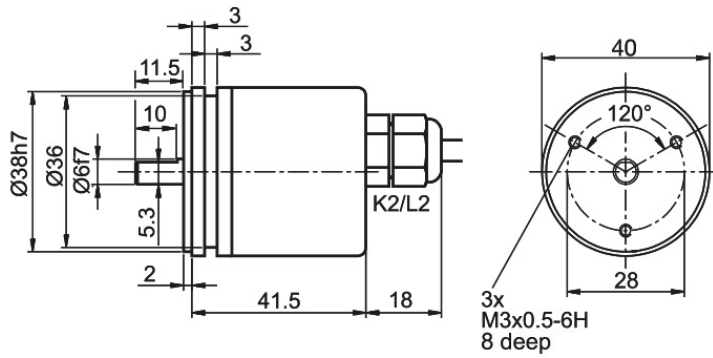
Electrical Data	
Power supply/Current consumption	5 VDC up to 30 VDC: typ. 40 mA
Output circuit	HTL HTL, inv.
Pulse frequency	1024 ppr: max. 200 kHz
Channels	AB ABN and inverted signals

Load	max. 40 mA / channel
Circuit protection	no

Accuracy	
Phase offset	90° ± max. 25% of the period duration
pulse-/pause-ratio	at 1 ppr up to 128 ppr: 50 % ± max. 7 % at 256 ppr: 50 % ± max. 9 % at 512 ppr: 50 % ± max. 13 % at 1024 ppr: 50 % ± max. 18 %

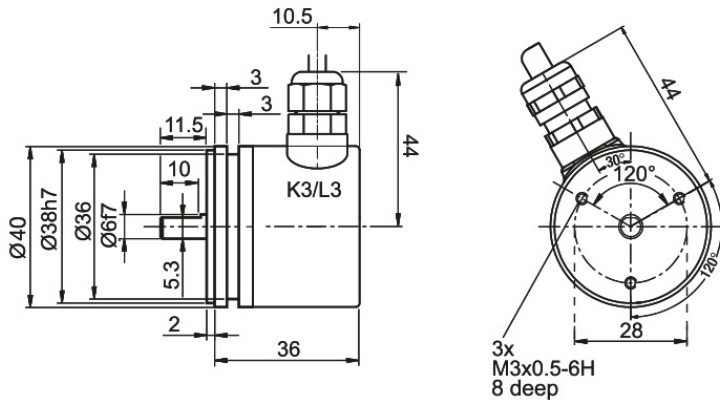
General Data	
Weight	approx. 100 g
Connections	cable or connector outlet
Protection rating (EN 60529)	Housing: IP65, IP67; shaft sealed: IP65; (IP40 for K1)
Operating temperature	-20 °C up to +80 °C
Storage temperature	-30 °C up to +80 °C

More Information	
General technical data and safety instructions <a href="http://www.wachendorff-automation.com/gtd">http://www.wachendorff-automation.com/gtd</a>	
Options <a href="http://www.wachendorff-automation.com/acc">http://www.wachendorff-automation.com/acc</a>	

**Cable connection K2, L2 with 2 m cable**

**Description**
**ABN inv. poss.**

<b>K2</b>	axial, shield not connected	•
<b>L2</b>	axial, shield connected to encoder housing	•

Assignments		
	<b>K2, L2</b>	<b>K2, L2</b>
<b>Circuit</b>	N35	M35
<b>GND</b>	WH	WH
<b>(+) Vcc</b>	BN	BN
<b>A</b>	GN	GN
<b>B</b>	YE	YE
<b>N</b>	GY	GY
<b>Light reserve warning</b>	-	-
<b>A inv.</b>	-	RD
<b>B inv.</b>	-	BK
<b>N inv.</b>	-	VT
<b>Shield</b>	flex	flex

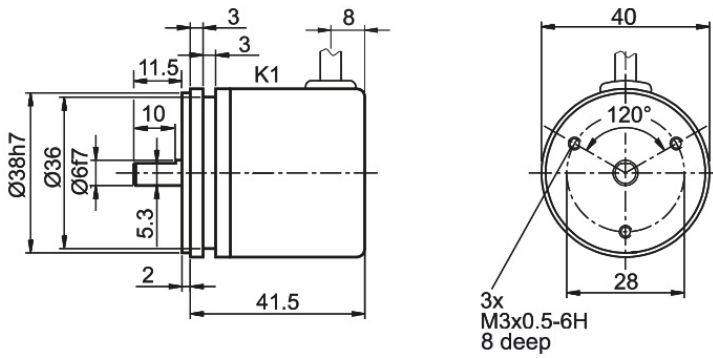
**Cable connection K3, L3 with 2 m cabel**

**Description**

<b>K3</b>	radial, shield not connected
<b>L3</b>	radial, shield connected to encoder housing

**ABN inv. poss.**

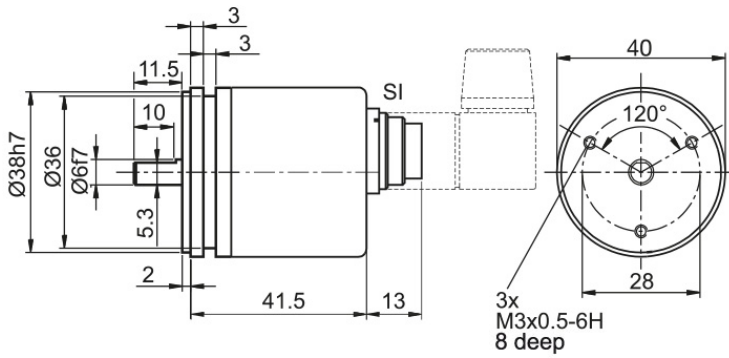
- 
- 

Assignments		
	K3, L3	K3, L3
<b>Circuit</b>	N35	M35
<b>GND</b>	WH	WH
<b>(+) Vcc</b>	BN	BN
<b>A</b>	GN	GN
<b>B</b>	YE	YE
<b>N</b>	GY	GY
<b>Light reserve warning</b>	-	-
<b>A inv.</b>	-	RD
<b>B inv.</b>	-	BK
<b>N inv.</b>	-	VT
<b>Shield</b>	flex	flex





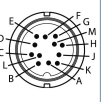
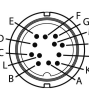
**Cable K1 (IP40) with 2 m cable**

**Description**
**ABN inv. poss.**
**K1** radial, shield not connected (IP40)

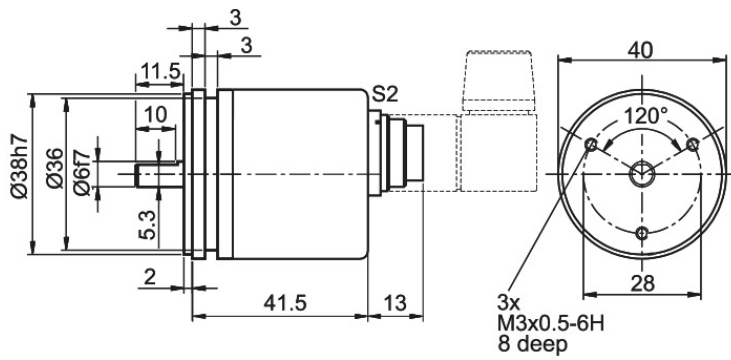
•

Assignments		
	K1	K1
<b>Circuit</b>	N35	M35
<b>GND</b>	WH	WH
<b>(+) Vcc</b>	BN	BN
<b>A</b>	GN	GN
<b>B</b>	YE	YE
<b>N</b>	GY	GY
<b>Light reserve warning</b>	-	-
<b>A inv.</b>	-	RD
<b>N inv.</b>	-	VT
<b>B inv.</b>	-	BK
<b>Shield</b>	flex	flex


**Connector (M16x0,75) SI, 5-, 6-, 8-, 12-pin**


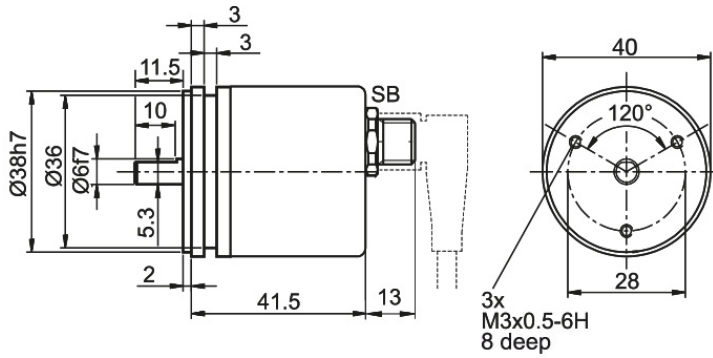
Description	ABN inv. poss.
<b>SI5</b> axial, 5-pin, Connector connected to encoder housing	-
<b>SI6</b> axial, 6-pin, Connector connected to encoder housing	-
<b>SI8</b> axial, 8-pin, Connector connected to encoder housing	•
<b>SI12</b> axial, 12-pin, Connector connected to encoder housing	•

Assignments						
	<b>SI5</b>	<b>SI6</b>	<b>SI8</b>	<b>SI8</b>	<b>SI12</b>	<b>SI12</b>
	5-pin	6-pin	8-pin	8-pin	12-pin	12-pin
						
<b>Circuit</b>	N35	N35	N35	M35	N35	M35
<b>GND</b>	1	6	1	1	K, L	K, L
<b>(+) Vcc</b>	2	1	2	2	M, B	M, B
<b>A</b>	3	2	3	3	E	E
<b>B</b>	4	4	4	4	H	H
<b>N</b>	5	3	5	5	C	C
<b>Light reserve warning</b>	-	-	-	-	-	-
<b>A inv.</b>	-	-	-	6	-	F
<b>B inv.</b>	-	-	-	7	-	A
<b>N inv.</b>	-	-	-	8	-	D
<b>n. c.</b>	-	5	6, 7, 8	-	A, D, F, G, J	G, J
<b>Shield</b>	-	-	-	-	-	-

**Connector (M16x0.75) S2, 7-pin**

**Description**
**ABN inv. poss.**
**S2** axial, 7-pin, Connector connected to encoder housing

-

Assignments	
	<b>S2</b>
	<b>7-pin</b>
	
<b>Circuit</b>	N35
<b>GND</b>	1
<b>(+) Vcc</b>	2
<b>A</b>	3
<b>B</b>	4
<b>N</b>	5
<b>Light reserve warning</b>	-
<b>A inv.</b>	-
<b>B inv.</b>	-
<b>N inv.</b>	-
<b>n. c.</b>	6, 7
<b>Shield</b>	-

**Sensor connector (M12x1) SB, 4-, 5-, 8-, 12-pin**

**Description**
**ABN inv. poss.**

<b>SB4</b>	axial, 4-pin, Connector connected to encoder housing	-
<b>SB5</b>	axial, 5-pin, Connector connected to encoder housing	-
<b>SB8</b>	axial, 8-pin, Connector connected to encoder housing	•
<b>SB12</b>	axial, 12-pin, Connector connected to encoder housing	•

**Assignments**

	<b>SB4</b> 4-pin	<b>SB5</b> 5-pin	<b>SB8</b> 8-pin	<b>SB8</b> 8-pin	<b>SB12</b> 12-pin	<b>SB12</b> 12-pin
<b>Circuit</b>	N35	N35	N35	M35	N35	M35
<b>GND</b>	3	3	1	1	3	3
<b>(+) Vcc</b>	1	1	2	2	1	1
<b>A</b>	2	4	3	3	4	4
<b>B</b>	4	2	4	4	6	6
<b>N</b>	-	5	5	5	8	8
<b>Light reserve warning</b>	-	-	-	-	-	-
<b>A inv.</b>	-	-	-	6	-	9
<b>B inv.</b>	-	-	-	7	-	7
<b>N inv.</b>	-	-	-	8	-	10
<b>n. c.</b>	-	-	6, 7, 8	-	2, 5, 7, 9, 10, 11, 12	2, 5, 11, 12
<b>Shield</b>	-	-	-	-	-	-



## Options

### Low-friction bearings

The encoder WDG 40A is also available as a particularly smooth-running low-friction encoder. The starting torque is thereby changed to 0.1 Ncm and the protection class at the shaft input to IP50.

### Order key

**AAC**

### IP67 all around

The encoder WDG 40A can be supplied in a full IP67 version.

### Order key

**AAO**

Max. RPM: 3500 rpm

Permitted Shaft-Loading, axial: 30 N

Permitted Shaft-Loading, radial: 45 N

Max. PPR: 1024 ppr

Starting-torque: approx. 1.2 Ncm at ambient temperature

### Low temperature

The encoder WDG 40A with the output circuit types M35, N35 is also available with the extended temperature range -40 °C up to +80 °C (measured at the flange).

### Order key

**ACA**

### Cable length

The encoder WDG 40A can be supplied with more than 2 m cable. The maximum cable length depends on the supply voltage and the frequency; see [www.wachendorff-automation.com/atd](http://www.wachendorff-automation.com/atd)

Please extend the standard order code with a three figure number, specifying the cable length in decimetres.

Example: 5 m cable = 050

### Order key

**XXX = Decimeter**

Example Order No.	Type					Your encoder
WDG 40A	WDG 40A					WDG 40A
<b>Pulses per revolution PPR:</b>						
1024	1, 2, 3, 4, 5, 6, 7, 8, 9, 10, 11, 12, 13, 14, 15, 16, 17, 18, 19, 20, 21, 22, 23, 24, 25, 26, 27, 28, 29, 30, 31, 32, 33, 34, 35, 36, 37, 38, 39, 40, 41, 42, 43, 44, 45, 46, 47, 48, 49, 50, 51, 52, 53, 54, 55, 56, 57, 58, 59, 60, 61, 62, 63, 64, 65, 66, 67, 68, 69, 70, 71, 72, 73, 74, 75, 76, 77, 78, 79, 80, 81, 82, 83, 84, 85, 86, 87, 88, 89, 90, 91, 92, 93, 94, 95, 96, 97, 98, 99, 100, 101, 102, 103, 104, 105, 106, 107, 108, 109, 110, 111, 112, 113, 114, 115, 116, 117, 118, 119, 120, 121, 122, 123, 124, 125, 126, 127, 128, 256, 512, 1024 Other PPRs on request					
<b>Channels:</b>						
ABN	AB, ABN bis 1024 I/U					
<b>Output circuit</b>						
M35	<b>Resolution PPR</b>	<b>Power supply VDC</b>	<b>Output circuit</b>	<b>Light reserve warning</b>	<b>Order key</b>	
	up to 1024	5 - 30	HTL inverted	-	M35	
		5 - 30	HTL	-	N35	
<b>Electrical connections</b>						
K2	<b>Description</b>			<b>ABN inv. poss.</b>	<b>Order key</b>	
	<b>Cable: length (2 m standard, WDG 58T: 1 m)</b>					
	radial, shield not connected (IP40)			•	K1	
	axial, shield not connected			•	K2	
	axial, shield connected to encoder housing			•	L2	
	radial, shield not connected			•	K3	
	radial, shield connected to encoder housing			•	L3	
	<b>Connector: (shield connected to encoder housing)</b>					
	connector, M16x0.75, 5-pin, axial			-	SI5	
	connector, M16x0.75, 6-pin, axial			-	SI6	
	connector, M16x0.75, 8-pin, axial			•	SI8	
	connector, M16x0.75, 12-pin, axial			•	SI12	
	connector, M16x0.75, 7-pin, axial			-	S2	
	sensor-connector, M12x1, 4-pin, axial			-	SB4	
	sensor-connector, M12x1, 5-pin, axial			-	SB5	
sensor-connector, M12x1, 8-pin, axial			•	SB8		
sensor-connector, M12x1, 12-pin, axial			•	SB12		
<b>Options</b>						
	<b>Description</b>			<b>Order key</b>		
	Low-friction bearings			AAC		
	IP67			AAO		
	Low temperature			ACA		
	Without option			Empty		
	Cable length			XXX = Decimeter		

Example Order No.=	WDG 40A	1024	ABN	M35	K2		WDG 40A					Your encoder



For further information please contact our local distributor.  
Here you find a list of our distributors worldwide.  
<https://www.wachendorff-automation.com/>



Wachendorff Automation GmbH & Co. KG  
Industriestrasse 7 • 65366 Geisenheim  
Germany

Phone: +49 67 22 / 99 65 25  
Fax: +49 67 22 / 99 65 70  
E-Mail: [wdg@wachendorff.de](mailto:wdg@wachendorff.de)  
[www.wachendorff-automation.de](http://www.wachendorff-automation.de)

