



Online Data Sheet

Encoder WDGA 58E PROFINET-IO (cov)

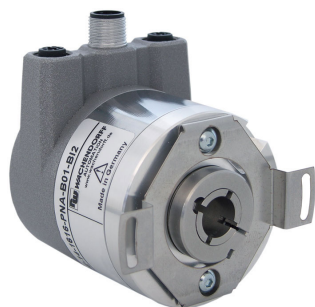
www.wachendorff-automation.com/wdga58epnb

Wachendorff Automation

... systems and encoders

- Complete systems
- Industrial rugged encoders to suit your application
- Standard range and customer versions
- Maximum permissible loads
- 48-hour express production
- Made in Germany
- Worldwide distributor network

Encoder WDGA 58E absolute PROFINET-IO magnetic, with EnDra®- Technology



EnDra®
Technologie

PROFI
NET

PIV CERTIFIED
PROFIBUS • PROFINET

- EnDra®: maintenance-free and environmentally friendly
- PROFINET-IO, Single-turn/Multi-turn
- Compact design with buscover
- Single-turn/Multi-turn (max. 16 bit/43 bit)
- Forward-looking technology
- 2 colour-duo LED's as indicator for operating condition and bus status and 2 L/A LED's
- High shaft load up to 80 N radial, 50 N axial
- Device Profile switchable, Class 3, 4

www.wachendorff-automation.com/wdga58epnb

Mechanical Data

Housing

Flange	hollow shaft (blind-bored)
Flange material	aluminum
Housing cap	steel case chrome-plated, magnetic shielding
Connection cover	die cast aluminum, powder coated
Torque supports	incl. 1 torque support WDGDS10019
- 1. Spring plate compensation	axial: ±1.2 mm, radial: ±0.2 mm
- Max. operating speed	6000 rpm up to max. protection rating +80 °C
Housing	Ø 58 mm

Shaft(s)

Shaft material	stainless steel
Starting torque	approx. 1.6 Ncm at ambient temperature, approx. 2.226 in-ozf at ambient temperature
Fixing	permanently attached clamping ring

Shaft	Ø 6 mm
Advice	with adapter sleeve
Shaft length	L: 17 mm
Insertion depth min.	10 mm
Insertion depth max.	19 mm
Max. Permissible shaft loading radial	80 N
Max. Permissible shaft loading axial	50 N

Shaft	Ø 6.35 mm, Ø 1/4"
Advice	with adapter sleeve
Shaft length	L: 17 mm, L: 0.669 in
Insertion depth min.	10 mm, 0.394 in
Insertion depth max.	19 mm, 0.748 in
Max. Permissible shaft loading radial	80 N, 8.158 kp
Max. Permissible shaft loading axial	50 N, 5.099 kp

Shaft	Ø 7 mm
Advice	with adapter sleeve
Shaft length	L: 17 mm
Insertion depth min.	10 mm
Insertion depth max.	19 mm
Max. Permissible shaft loading radial	80 N

Max. Permissible shaft loading axial	50 N
--------------------------------------	------

Shaft	Ø 8 mm
Advice	with adapter sleeve
Shaft length	L: 17 mm
Insertion depth min.	10 mm
Insertion depth max.	19 mm
Max. Permissible shaft loading radial	80 N
Max. Permissible shaft loading axial	50 N

Shaft	Ø 9.525 mm, Ø 3/8"
Advice	with adapter sleeve
Shaft length	L: 17 mm, L: 0.669 in
Insertion depth min.	10 mm, 0.394 in
Insertion depth max.	19 mm, 0.748 in
Max. Permissible shaft loading radial	80 N, 8.158 kp
Max. Permissible shaft loading axial	50 N, 5.099 kp

Shaft	Ø 10 mm
Advice	with adapter sleeve
Shaft length	L: 17 mm
Insertion depth min.	10 mm
Insertion depth max.	19 mm
Max. Permissible shaft loading radial	80 N
Max. Permissible shaft loading axial	50 N

Shaft	Ø 12 mm
Shaft length	L: 17 mm
Insertion depth min.	10 mm
Insertion depth max.	19 mm
Max. Permissible shaft loading radial	80 N
Max. Permissible shaft loading axial	50 N

Shaft	Ø 14 mm
Shaft length	L: 17 mm
Insertion depth min.	10 mm
Insertion depth max.	19 mm
Max. Permissible shaft loading radial	80 N

Max. Permissible shaft loading axial	50 N
Shaft	Ø 15 mm
Shaft length	L: 17 mm
Insertion depth min.	10 mm
Insertion depth max.	19 mm
Max. Permissible shaft loading radial	80 N
Max. Permissible shaft loading axial	50 N

Bearings

Bearings type	2 precision ball bearings
Nominal service life	1 x 10 ⁹ revs. at 100 % rated shaft load 1 x 10 ¹⁰ revs. at 40 % rated shaft load 1 x 10 ¹¹ revs. at 20 % rated shaft load
Max. operating speed	6000 rpm

Machinery Directive: basic data safety integrity level

MTTF _d	300 a
Mission time (TM)	20 a
Nominal service life (L10h)	1 x 10 ¹¹ revs. at 20 % rated shaft load and 6000 rpm
Diagnostic coverage (DC)	0 %

Electrical Data

Power supply/Current consumption	10 VDC up to 32 VDC: typ. 125 mA
Power consumption	typ. 3 W

Sensor data

Single-turn technology	innovativ hall sensor technology
Single-turn resolution	up to 65,536 steps/360° (16 bit)
Single-turn accuracy	± 0.0878° (12 bit)
Single-turn repeat accuracy	± 0.0878° (12 bit)
Internal cycle time	50 µs
Multi-turn technology	patented EnDra® technology no battery and no gear.
Multi-turn resolution	43 bit

Environmental data

Environmental data:

ESD (DIN EN 61000-4-2):	8 kV
Burst (DIN EN 61000-4-4):	2 kV
includes EMC:	DIN EN 61000-6-2 DIN EN 61000-6-3
Vibration: (DIN EN 60068-2-6)	200 m/s ² (10 Hz up to 1000 Hz)
Shock: (DIN EN 60068-2-27)	5000 m/s ² (6 ms)
Design:	according DIN VDE 0160
Turn on time:	<1,5 s

Interface

Interface:	Industrial Ethernet
Protocol:	PROFINET-IO (CC-C)
Device Profile:	V4.2, Class 3, 4
Data Transfer:	100BASE-TX
Cycle time:	250 µs, applicable for up to 125 µs

Function:	Multiturn
Code:	binary, CW default, programable
Programmable Parameter:	steps per revolution counts of revolution preset scale counting direction MRPD MRP LLDP IRT

Diagnostics: (LED)	Traffic and connection management: L/A1: Port 1 L/A2: Port 2
--------------------	--

Status LED:	STAT, MOD: status of encoder and bus
-------------	--------------------------------------

General Data

Weight	approx. 410 g, approx. 14.462 oz
Connections	bus cover
Protection rating (EN 60529)	IP65 all around
Operating temperature	-40 °C up to +85 °C, -40 °F up to +176 °F
Storage temperature	-40 °C up to +100 °C, -40 °F up to +212 °F

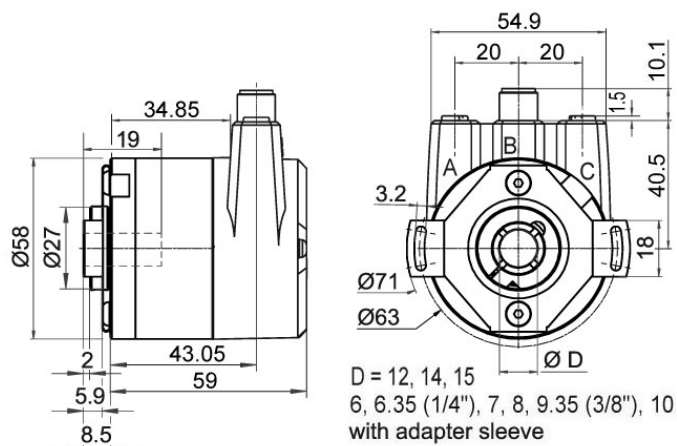
More Information


General technical data and safety instructions

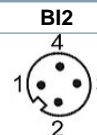
<http://www.wachendorff-automation.com/gtd>


Options

<http://www.wachendorff-automation.com/acc>

WDGA 58E PROFINET-IO, BI2, bus cover with 3x M12x1

Description
BI2 Bus cover with 3x M12x1

Assignments	
	BI2 
Female connector (Port1)	M12x1, 4-pin, D-coded
Tx+	1
Rx+	2
Tx-	3
Rx-	4

Assignments	
	BI2 
connector (Power)	M12x1, 4-pin, A-coded
(+) Vcc	1
n. c.	2
GND	3
n. c.	4

Assignments	
	BI2 
Female connector (Port2)	M12x1, 4-pin, D-coded
Tx+	1
Rx+	2
Tx-	3
Rx-	4

Example Order No.	Type	Your encoder
WDGA 58E	WDGA 58E	WDGA 58E
	Shaft	Order key
12	Ø 6 mm with adapter sleeve	06
	Ø 6.35 mm Ø 1/4" with adapter sleeve	2Z
	Ø 7 mm with adapter sleeve	07
	Ø 8 mm with adapter sleeve	08
	Ø 9.525 mm Ø 3/8" with adapter sleeve	4Z
	Ø 10 mm with adapter sleeve	10
	Ø 12 mm	12
	Ø 14 mm	14
	Ø 15 mm	15
	Single-turn Resolution	Order key
13	Single-turn resolution 1 up to 16 bit, e. g. 12 bit = 12	12
	Multi-turn Resolution	Order key
12	Multi-turn 18 bit: e. G. 18 bit = 18 e. G. 39 bit = 39	18
	Data protocol	Order key
PN	PROFINET-IO (with bus cover)	PN
	Software	Order key
W	up to date release	W
	Code	Order key
B	binary	B
	Power supply	Order key
0	10 V up to 32 V (standard)	0
	Galvanic isolation	Order key
1	yes	1
	Electrical connections	Order key
BI2	Connection cover:	
	Bus cover with 3x M12x1	BI2

Example Order No.	WDGA 58E	12	13	12	PN	W	B	0	1	BI2
--------------------------	----------	----	----	----	----	---	---	---	---	-----

WDGA 58E										Example Order No.
----------	--	--	--	--	--	--	--	--	--	--------------------------



For further information please contact our local distributor.
Here you find a list of our distributors worldwide.
<https://www.wachendorff-automation.com/>



Wachendorff Automation GmbH & Co. KG
Industriestrasse 7 • 65366 Geisenheim
Germany

Phone: +49 67 22 / 99 65 25
Fax: +49 67 22 / 99 65 70
E-Mail: wdg@wachendorff.de
www.wachendorff-automation.de

