

USER MANUAL



FM-2HD

Thanks for purchasing Conotec product.

1 Safety Precautions

Please read the safety precautions carefully prior to using and ensure the correct use.

※ The specifications, outer dimension stated in this guide are subject to change without prior notice to improve the performance of the product.

⚠ Warning

1. As this product is not manufactured as safety equipment, make sure to use this product after mounting double safety device when using it for the purpose of controlling a device having risk of personal injury, equipment damage or huge property loss.
2. Do not cut the wire or make check-up or maintenance when the power supply is connected.
3. Make sure to check the socket number before connecting the power.
4. Never disassemble process, improve or repair this equipment.

⚠ Caution

1. Please read carefully about how to use, safety regulations, and warning prior to install this device and must use within defined relevant specification or relevant capacity.
2. Do not make wiring or installing in the big motor has a big inductive load and solenoid.
3. Please use shielding wire at the sensor extension and do not make it unnecessarily long.
4. Do not use the parts that generate the arc at same power or near directly opening and closing.
5. Power line should be kept away from high-voltage line and do not install in the watery, oily, and dusty place.
6. Do not install this device in a place exposed to direct sunlight or rain.
7. Do not install this device in a place with strong magnetism, noise, vibration, and shock.
8. Keep away from the place where strong alkali and acidic substances are detected and use an independent plumbing.
9. Do not spray water directly for the purpose of cleaning at installing it in the kitchen.
10. Do not install in a place that temperature/ humidity exceeds the rating.
11. Use it without disconnecting the sensor line or scratching.
12. Sensor line should be kept away signal, power, and load lines, and use an independent piping.
13. Please note that this product is not follow-up managed at disassemble or remodeling at your discretion.
14. The signal of ⚠ displayed in the terminal wiring diagram is the safety statement of warning or caution.
15. Do not use near where devices generate strong high-frequency noise (high-frequency welders, high-frequency sewing machine, high frequency radios, large SCR controller).
16. If you use this device beyond the method specified by the manufacturer, it may cause injury or property damage.
17. Keep out of reach of children as this device is not a toy.
18. The device only be installed by relevant specialist or qualified worker.
19. The company will not accept any liability in respect of such cases that customer does not comply with the warning or caution wording stated in the above or damages caused by negligence of the customer.

⚠ Danger

■ Caution, risk of electric shock.

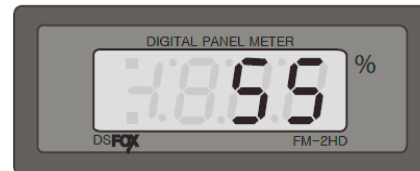
1. Electrical shock – Do not touch at the AC terminal during the application of an electric current.
2. Must shut off the input power during the input power check.

2 Model Composition

Model	Sensor	Range	Power	Size
FM-2HD	HCPV -220	10 ~ 95%	230VAC 50/60Hz	77(W)x35(H)

3 Name of Each Part

◆ When a nameplate is attached (humidity display)



◆ When the nameplate is removed (the humidity compensation value can be set)

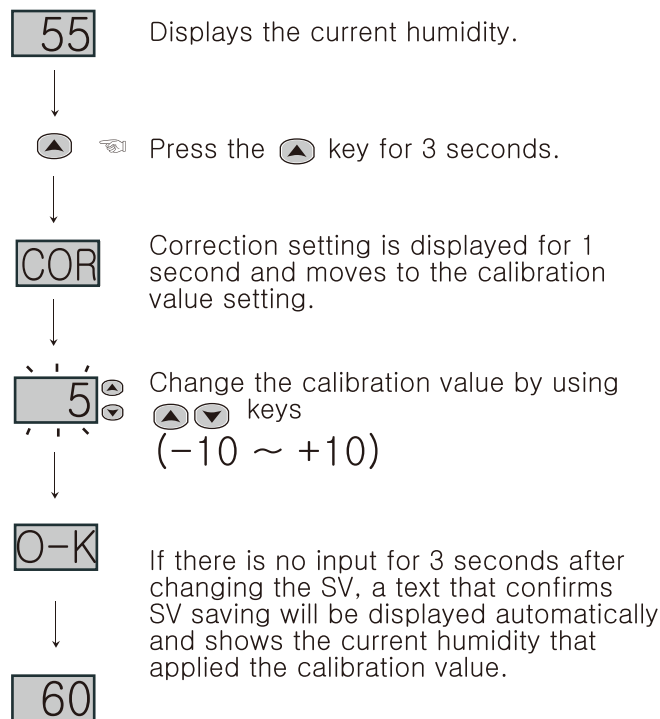


■ Installer Mode Function Settings

- ▲ or pressing the ▼ key for 3 seconds displays COR and displays humidity correction SV to FND.
- ▲ or, use the ▼ key and correct SV and hold for 3 seconds without any input to display the current humidity after auto save.

4 How to set humidity correction

Humidity calibration settings

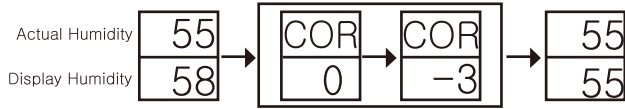


5 Detailed Description of Function

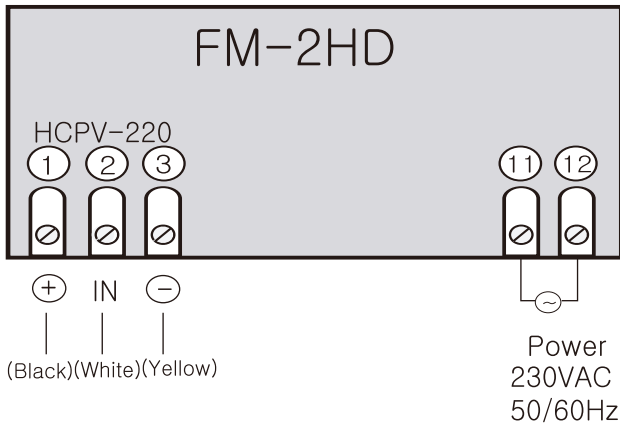
COR : Current Humidity Calibration Function

A function to calibrate where there is cause a difference in actual humidity and display humidity caused by sensor errors input from outside while the product has no problem.

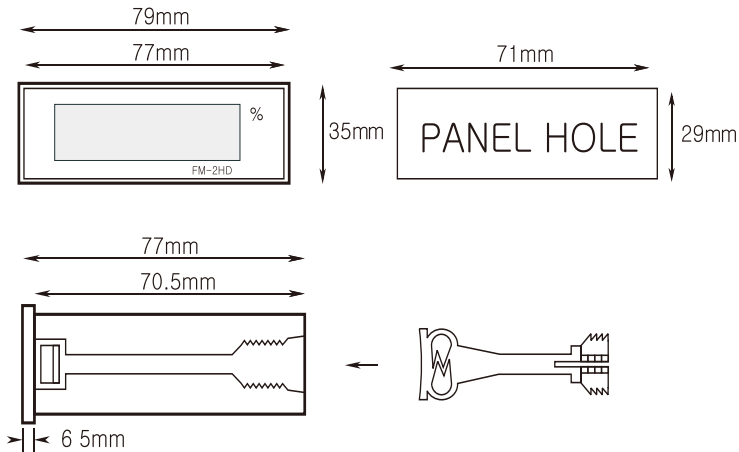
E.g.) Actual Humidity: 55 % / Display Humidity: 58 %



6 Terminal connection diagram



7 External dimension (Unit: mm)



8 Humidity range and default set

Function	Model	FM-2HD	Default set
Humidity Calibration	Cor	± 10 %	± 0 %

9 Simple troubleshooting tip

- If displaying error while using the product:
- **Eri** is displayed when DATA memory elements inside are damaged due to powerful noise from outside while using the product.
- In such a case, contact our company for customer service.
- Despite the controller is provided with supplementary measures for outside noise, it cannot endure infinite noise.
- Noise (2KV) abnormality may damage inside of the unit.
- If **O-E** (Open Error) or **S-E** (Short Error) messages appear, the sensor is defective. Please check the sensor.

※ The product specification are subject to change without prior notice for product improvement.

※ Please be familiar with precautions necessary for handling the product.

※ Regarding the English-language manual, please download it at our homepage.

■ H. Office : 56, Ballyongsandan 1-ro, Jangan-eup, Gijang, Busan, Republic of Korea
 ■ Factory : 56, Ballyongsandan 1-ro, Jangan-eup, Gijang, Busan, Republic of Korea

■ TEL : +82-51-819-0426
 ■ FAX : +82-51-819-4562
 ■ e-mail : conotec@conotec.co.kr
 ■ URL : www.conotec.co.kr

■ Main Products & Development
 - Digital Temperature /Humidity Controller
 - Digital Timer, Current/Voltage Meter
 - Other Products Development

■ This device is suitable for following environment.
 Ambient temperature: 0°C~ 60°C
 Surrounding humidity: Below 80%Rh
 Rated power source: AC230V 50/60Hz