

General Purpose Relay

HR707N Series

Part Number Description

HR707N	-	①	②	③
① Contact Arrangement	2P : 2C	3P : 3C		
② Option	No mark : Standard (Mechanical indicator equipped)	L : LED Indicator (DC Coil : Green, AC Coil : Red)		
	LD : LED Indicator + Freewheeling Diode (DC)	LC : LED Indicator + Built-in the Surge Adsorbent Circuit (AC)		
③ Coil Voltage	12VDC	24VDC	100/110VDC	
	12VAC 50/60 Hz	24VAC 50/60 Hz		
	100/110VAC 50/60 Hz	200/220VAC 50/60 Hz	220/240VAC 50/60 Hz	

General Specification

Contact Ratings	Contact Form	2C	3C	
	Contact Material	Ag alloy (24K gold plate)		
	Maximum Contact Resistance	50mΩ		
	Rated Current (Resistance Load)	10A 250VAC 10A 28VDC		
	Maximum Switching Current	10A		
	Maximum Rated Voltage	250VDC / 250VAC		
	Minimum Switching Current*	100mA 5VDC		
Coil Ratings	Coil Voltage	12VDC	24VDC	100/110VDC
		12VAC 50/60 Hz	24VAC 50/60 Hz	
		100/110VAC 50/60 Hz	200/220VAC 50/60 Hz	220/240VAC 50/60 Hz
	Coil Consumption	DC : 1.6W Approx. AC : 2.4VA Approx.		
General Ratings	Minimum Pick-up Voltage	80% of Nominal		
	Maximum Drop Out Voltage	10% of Nominal Voltage DC 30% of Nominal Voltage AC		
	Operating Time	Maximum Pick-up	30ms	
		Minimum Drop-out	20ms	
	Insulation Resistance	100MΩ at 500VDC		
	Dielectric Strength	Between Contact Points : 1,000Vrms for 1 minute.		
		Between Contact Points and Coil : 1,500Vrms for 1 minute.		
	Life Cycle	Mechanical : Min. 10,000,000		
		Electrical : Min. 100,000		
	Vibration Resistant	10 ~ 55Hz width of vibration 1.5mm		
Ambient Temperature	-10 ~ +40°C (with no icing)			
Ambient Humidity	35% ~ 80% RH			
Weight	Approx. 75g			

☞ Please refer to the attention section.

☞ Specifications and materials can be changed without prior notice for the enhancement of the quality.

* The minimum switching current is indicated as a standard value. The actual minimum Switching rate is variable factor according to the make and break frequency, environmental condition and anticipated credibility level. Therefore, it is recommended that tests be done to test actual load value before the production process.



Product Selection

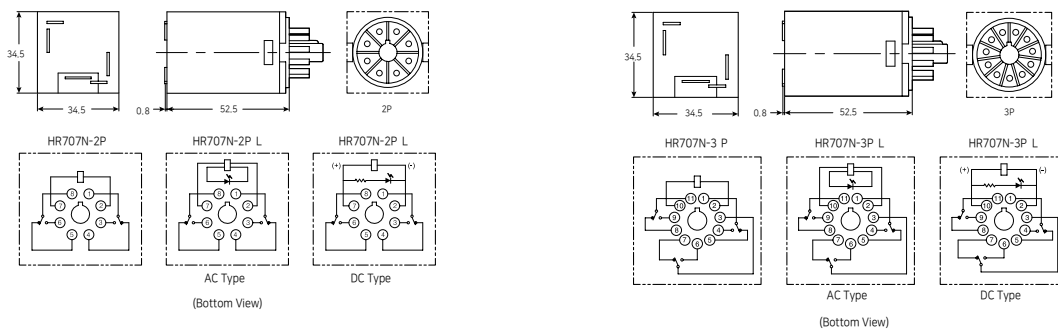
	Contact Form	Socket	Rated Voltage	Part Number			Weight (g)
				Non-Illumination	Illumination	Illumination Surge Absorption Circuit	
	2 Pole (2C)	KF083A KPZ2 KF083AC	220VAC	HR707N-2P 220VAC	HR707N-2PL 220VAC	HR707N-2PLC 220VAC	75g
			110VAC	HR707N-2P 110VAC	HR707N-2PL 110VAC		75g
			110VDC	HR707N-2P 110VDC	HR707N-2PL 110VDC		75g
			24VDC	HR707N-2P 24VDC	HR707N-2PL 24VDC	HR707N-2PLD 24VDC	75g
	3 Pole (3N/O + 3N/C)	KF113A KPZ3	220VAC	HR707N-3P 220VAC	HR707N-3PL 220VAC	HR707N-3PLC 220VAC	75g
			110VAC	HR707N-3P 110VAC	HR707N-3PL 110VAC		75g
			110VDC	HR707N-3P 110VDC	HR707N-3PL 110VDC		75g
			24VDC	HR707N-3P 24VDC	HR707N-3PL 24VDC	HR707N-3PLD 24VDC	75g

Dimension

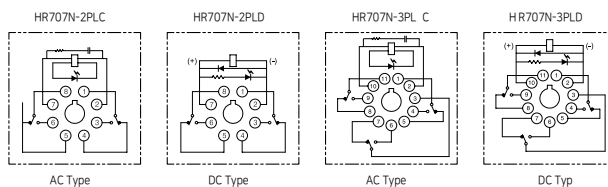
unit : mm

HR707N-2P Series

HR707N-3P Series



HR707N (surge absorption type)



- HR707N surge absorption models contains a circuit to absorb the noises that are produced from relay while relay tracking. It is suitable to apply where malfunctioning or disturbances are likely to happen in such devices as PLC.
- In case where relay Contact point (PLC relay output card) is tracked, damages on Contact points of other tracking devices are reduced by absorbing surge and it is possible to use high priced equipment for a long period of time.

☞ Refer to the socket drawings at page I - 31