

# Bell

## HRE Series




### General Specification

Supply Voltage	110VAC, 220VAC, 12VDC, 24VDC, 110VDC
Current consumption	Max. Approx. 5W
Maximum output	1W
Maximum Sound Levels	90(dB) (Phon) / 1m
Degree of Protection	IP40
Sound Type	Striking Vibration

☞ The specification and material of the product can be changed without notice for better quality.

### Product Selection

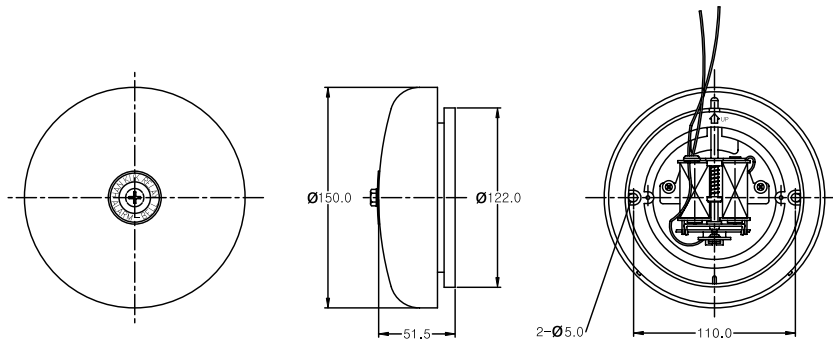
	Supply Voltage	Part Number
	12VDC	HRE-S90D2
	24VDC	HRE-S90D4
	110VDC	HRE-S90D1
	110VAC	HRE-S90A1
	220VAC	HRE-S90A2

☞ The voltage and specifications other than the aforementioned product are customized. Please contact the agency for delivery data and price.

☞ The aforementioned product ratings 110VDC and 110VAC refer to the range of 110V ~ 125V.

### Dimensions & Diagram

Unit : mm



### Caution

- DC electric buzzer has a contact in series with the inductive load coil. Therefore, its life is limited, and it may cause disturbance to other devices due to its noise. Installing a noise filter at the power can prevent the noise.