

Control Switch

J2 Series



Pilot Light



Non-Illuminated
Push Button Switch



Illuminated
Push Button Switch



Non-illuminated
Selector Switch



Illuminated
Selector Switch



Key Selector Switch



Non-illuminated
Emergency Stop Switch



Illuminated
Emergency Stop Switch



Non-Illuminated
Mushroom Push Button Switch



Illuminated
Mushroom Push Button Switch

Part Number Description

J2	1	2	3	4	5	6	7	
1 Operator Type	1 : Pilot Lamp	2 : Momentary Push Button	3 : Alternative Push Button	4 : 2 Position Selector	5 : 3 Position Selector	6 : 2 Position Key	7 : 3 Position Key	
	8 : Illuminated Emergency Stop	9 : Non-Illuminated Emergency Stop						
2 Illumination & Shape	1 : Non-Illuminated Round	7 : Illumination Round(LED)						
3 Contact	0 : None	10 : 1NO(J2-10)	01 : 1NC(J2-01)	20 : 1NO + 1NO(J2-10 X 2ea)				
4 Operating Head Type	No mark : Push Button(Non-Illuminated), Selector, Key, Emergency Stop T : Flat Head Push Button Q : Push Button(Illuminated) M : Mushroom Head							
5 Color	No mark : Selector(Non-Illuminated), Key, Emergency Stop		R : Red	G : Green	Y : Yellow	B : Blue	W : White	K : Black
6 Rated Voltage	D6 : 6VDC	D12 : 12VDC	D4 : 24VDC					
	A1 : 110VAC	A2 : 220VAC						
7 Selector, Key Operator Function	2 : 2 Step Maintained		3 : 3 Step Maintained					

※ Illuminated black color is only the lens is black translucent and the LED is white.

※ Non-illuminated pushbutton, selector, key, emergency stop switch does not mark operating head type.

※ Non-dimming selector, key switch, emergency stop switch do not mark color.

Rev. 2/14

Data subject may change without notice.

www.kacon.co.kr

Industrial Controls Catalog

II - III - 57

Control Switch

J2 Series



General Specification

Specifications	Ambient Temperature	- 20°C ~ +55°C(with no icing)				
	Ambient Humidity	45% ~ 85%RH(with no icing)				
	Storage Temperature	- 45°C ~ +80°C				
	Storage Humidity	Min. 90%RH				
	Protection Grade	Front side : IP65(IEC60529) / Selector, Key : IP40				
	Insulation Resistance	100MΩ min.(at 500VDC)				
	Dielectric strength	Contact	2,500V for 1 minute			
		LED	2,000V for 1 minute			
	Vibration Resistant	Durability	500m/s ²			
		Malfunction	200m/s ²			
Life Cycles	Mechanical	Push Button Switch : 2,000,000 time	Selector, Key, Emergency Stop : 500,000 time			
	Electrical	100,000 time				
Contact Ratings	Rated Insulation Voltage	600V				
	Maximum switching current	10A				
	Rated current @ voltage	24V	120V	240V	380V	
	AC 50/60Hz	Resistive Load(AC-12)	10A	10A	6A	2A
		Inductive Load(AC-15)	10A	6A	3A	1.9A
	Dc	Resistive Load(DC-12)	8A	2.2A	1.1A	-
		Resistive Load(DC-13)	4A	1.1A	0.55A	-
	Terminal bolt	M3.5 (Torque : 1.3N·m)				
	Suitable wire standard	14 ~ 16AWG				

*Min using load reference 3VAC/DC 5mA (can use range depends on the environment and the load type) The contact is silver contact

* Contact Material : Ag alloy (24K gold plate)

LED	Color	R : Red, G : Green, Y : Yellow, B : Blue, W : White, K : Black			
	Specifications	6VAC/DC, 12VAC/DC, 24VAC/DC, 110VAC/DC, 220VAC/DC			
	Rated Voltage	D6 : 6VDC			
		D12 : 12VDC			
		D4 : 24VDC			
		A1 : 100 ~ 120VAC(50/60Hz)			
	A2 : 200 ~ 240VAC(50/60Hz)				
Rated Current	15mA				
Life Cycles	50,000hrs				

* LED working 50% less than the original brightness after 50000 hours.


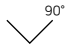

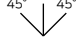

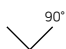

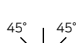

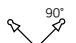


Product Selection

Operator Type	Ø	Contact		Color	Part Number	Rated Voltage
		Configuration	Maximum Combined			
Illuminated Pilot Lamp Switch 	Ø22, Ø25	-	-	Red	J2-170TR	D6(6VDC) D12(12VDC) D4(24VDC) A1(110VAC) A2(220VAC)
				Green	J2-170TG	
				Blue	J2-170TB	
				Yellow	J2-170TY	
				White	J2-170TW	
				Black	J2-170TK	
Non-Illuminated Push Button Momentary Switch 	Ø22, Ø25	1NO (J2-10)	3ea	Red	J2-2110R	-
				Green	J2-2110G	
				Blue	J2-2110B	
				Yellow	J2-2110Y	
				White	J2-2110W	
				Black	J2-2110K	
Non-Illuminated Push Button Alternative Switch 	Ø22, Ø25	1NO (J2-10)	3ea	Red	J2-3110R	-
				Green	J2-3110G	
				Blue	J2-3110B	
				Yellow	J2-3110Y	
				White	J2-3110W	
				Black	J2-3110K	
Illuminated Push Button Momentary Switch 	Ø22, Ø25	1NO (J2-10)	2ea	Red	J2-2710QR	D6(6VDC) D12(12VDC) D4(24VDC) A1(110VAC) A2(220VAC)
				Green	J2-2710QG	
				Blue	J2-2710QB	
				Yellow	J2-2710QY	
				White	J2-2710QW	
				Black	J2-2710QK	
Illuminated Push Button Alternative Switch 	Ø22, Ø25	1NO (J2-10)	2ea	Red	J2-3710QR	D6(6VDC) D12(12VDC) D4(24VDC) A1(110VAC) A2(220VAC)
				Green	J2-3710QG	
				Blue	J2-3710QB	
				Yellow	J2-3710QY	
				White	J2-3710QW	
				Black	J2-3710QK	





Control Switch

J2 Series

Product Selection

Operator Type	Ø	Contact		Color	Selector Type	Operator Function	Part Number	Rated Voltage
		Configura-tion	Maximum Combined					
2 Step Non-Illuminated Selector Switch								
	Ø22, Ø25	1NO (J2-10)	3ea	Black	Maintained		J2-4110-2	-
3 Step Non-Illuminated Selector Switch								
	Ø22, Ø25	2NO (J2-10 X 2ea)	2ea	Black	Maintained		J2-5120-3	-
2 Step Illuminated Selector Switch								
	Ø22, Ø25	1NO (J2-10)	2ea	Red Green Blue Yellow White	Maintained		J2-4710R-2 J2-4710G-2 J2-4710B-2 J2-4710Y-2 J2-4710W-2	D6(6VDC) D12(12VDC) D4(24VDC) A1(110VAC) A2(220VAC)
3 Step Illuminated Selector Switch								
	Ø22, Ø25	2NO (J2-10 X 2ea)	2ea	Red Green Blue Yellow White	Maintained		J2-5720R-3 J2-5720G-3 J2-5720B-3 J2-5720Y-3 J2-5720W-3	D6(6VDC) D12(12VDC) D4(24VDC) A1(110VAC) A2(220VAC)
2 Step Key Selector								
	Ø22, Ø25	1NO (J2-10)	3ea	Black	Maintained		J2-6110-2	-
3 Step Key Selector								
	Ø22, Ø25	2NO (J2-10 X 2ea)	2ea	Black	Maintained		J2-7120-3	-



Product Selection

Operator Type	Ø	Contact		Color	Part Number	Rated Voltage
		Configuration	Maximum Combined			
Non-Illuminated Ø40 Mushroom Push Button Momentary Switch 	Ø22, Ø25	1NO (J2-10)	3ea	Red	J2-2110MR	-
				Green	J2-2110MG	
				Blue	J2-2110MB	
				Yellow	J2-2110MY	
				White	J2-2110MW	
Non-Illuminated Ø40 Mushroom Push Button Alternative Switch 	Ø22, Ø25	1NO (J2-10)	3ea	Red	J2-3110MR	-
				Green	J2-3110MG	
				Blue	J2-3110MB	
				Yellow	J2-3110MY	
				White	J2-3110MW	
Illuminated Ø40 Mushroom Push Button Momentary Switch 	Ø22, Ø25	1NO (J2-10)	2ea	Red	J2-2710MR	D6(6VDC) D12(12VDC) D4(24VDC) A1(110VAC) A2(220VAC)
				Green	J2-2710MG	
				Blue	J2-2710MB	
				Yellow	J2-2710MY	
				White	J2-2710MW	
Illuminated Ø40 Mushroom Push Button Alternative Switch 	Ø22, Ø25	1NO (J2-10)	2ea	Red	J2-3710MR	D6(6VDC) D12(12VDC) D4(24VDC) A1(110VAC) A2(220VAC)
				Green	J2-3710GR	
				Blue	J2-3710MB	
				Yellow	J2-3710MY	
				White	J2-3710MW	






Control Switch

J2 Series

Product Selection

Operator Type	Ø	Contact		Color	Part Number	Rated Voltage
		Configuration	Maximum Combined			
Illuminated Ø40 Emergency Switch						
	Ø22, Ø25	1NC (J2-01)	2ea	Red	J2-8701	D6(6VDC) D12(12VDC) D4(24VDC) A1(110VAC) A2(220VAC)
Non-Illuminated Ø40 Emergency Switch						
	Ø22, Ø25	1NC (J2-01)	3ea	Red	J2-9101	-






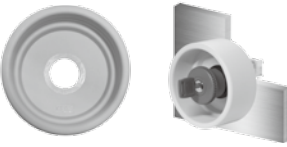


Accessory

Operator Type	Contact	Contact Form	Color	Rated Voltage	Part Number
LED	-	-	Red Green Yellow Blue White	D6(6VAC/DC) D12(12VAC/DC) D4(24VAC/DC) A1(110VAC/DC) A2(220VAC/DC)	BA9S-JR BA9S-JG BA9S-JY BA9S-JB BA9S-JW
Standard Contact		1NO	-	-	J2-10
		1NC ⊕ ※ IEC60947-5-1 Positive opening type	-	-	J2-01
		2NO	-	-	J2-S20
		2NC ⊕ ※ IEC60947-5-1 Positive opening type	-	-	J2-S02
Optional Contact (*Sold separately)		1NO + 1NC	-	-	J2-S11

Control Switch

J2 Series

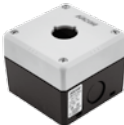



Accessory

Operator Type		Size (W×D×H)	Color	Part number
Protection Cover		Ø49.5x69x32 (except EPB/MPB)	Cover : C (Clear) Bottom : C (Clear)	KEG42
Name Plate		62 x 48.5 t=0.2mm	Product : Yellow Letter : Black	HP119E
			Product : Yellow Letter : Red	HP119K
			Product : White Letter : Black	HP119C
			Product : White Letter : Red	HP119E-R
		62 x 48.5 t=0.2mm	Product : Yellow Letter : Black	HP119E(OFF)
			Product : Yellow Letter : Red	HP119E(OFF-R)
			Product : White Letter : Black	HP119E-W(OFF)
			Product : White Letter : Red	HP119E-W(OFF-R)
		Ø62 t=0.2mm	Product : Yellow Letter : Black	HP119E-1(STOP)
			Product : White Letter : Black	HP119E-1W(STOP)
			Product : Yellow Letter : Red	HP119E-1(STOP-R)
			Product : White Letter : Red	HP119E-1W(STOP-R)
	Ø62 t=0.2mm	Product : Yellow Letter : Black	HP119E-1(OFF)	
		Product : Yellow Letter : Red	HP119E-1(OFF-R)	
		Product : White Letter : Black	HP119E-1W(OFF)	
Safety Guard		Ø90 H39.1	Yellow	KEG82
			White	KEG82W
AL Safety Guard		Ø90 H38.8	Yellow	KEG92
			White	KEG92W
Illuminated Safety Guard		Ø90 H43.1		KEG82YL-△

※ Refer to II - II - 46p for circuit configuration related matters. please


※ △ - Circuit type: N(NPN), P(PNP)

옵션

Operator Type	SIZE (W×D×H)	Color	Part number
Box	 Ø22	Yellow	KEX-101Y
Full Cover Guard	 76.5X65X43	Yellow	KEG-12C
	 Ø99 H45	Yellow	KEG-72C
	 Ø90 H43	Yellow	KEG-82C

※ CAUTION: If the support of the redundant protective guard is not cut, the emergency stop switch cannot be pressed.
 ※ HP119 name panel is also suitable with KEG7,8,9 series
 - Example of usage



Operator Type	SIZE (W×D×H)	Color	Part Number	Applicable	
				KEG-1□C	KEG-7□C / KEG-8□C
Accessory for Full Cover Guard	 Ø61.5X 45.5 t=0.2mm	Product : Yellow Letter : Black	HP-1CE	○	-
	 Ø61.5X 45.5 t=0.2mm	Product : Yellow Letter : Red	HP-1CE-R	○	-
	 Ø77.6 t=0.2mm	Product : Yellow Letter : Black	HP-7CE	-	○
	 Ø77.6 t=0.2mm	Product : Yellow Letter : Red	HP-7CE-R	-	○

※ Full Cover Guard Example of usage



KEG-1□C + KEX-101Y KEG-1□C KEG-7□C KEG-8□C

「Combined Switch Box and Full Cover Guard」

Control Switch

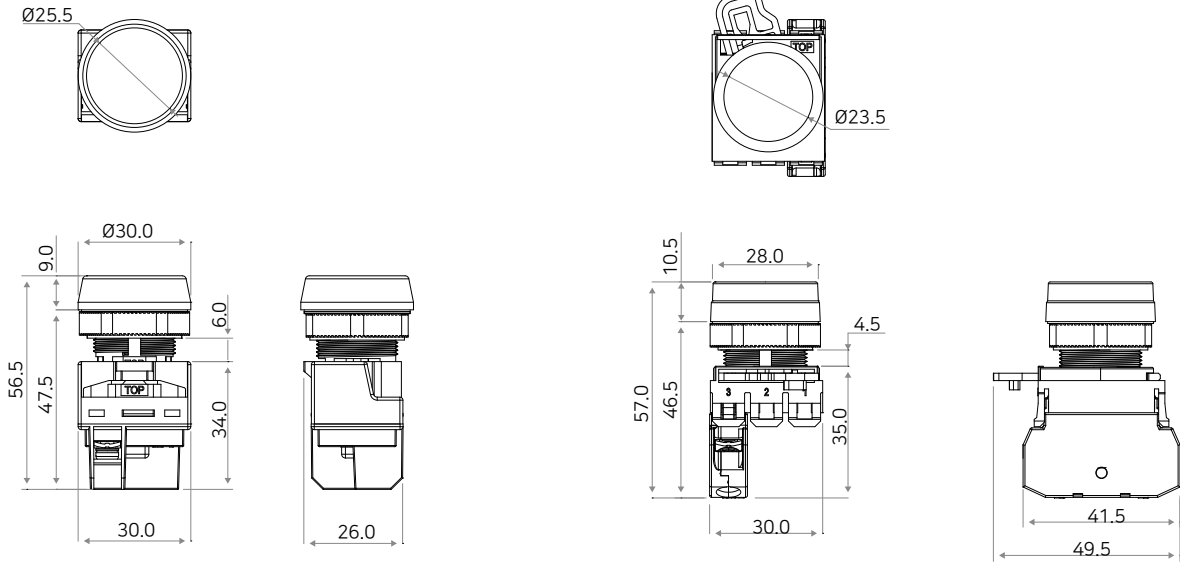
J2 Series

Dimension

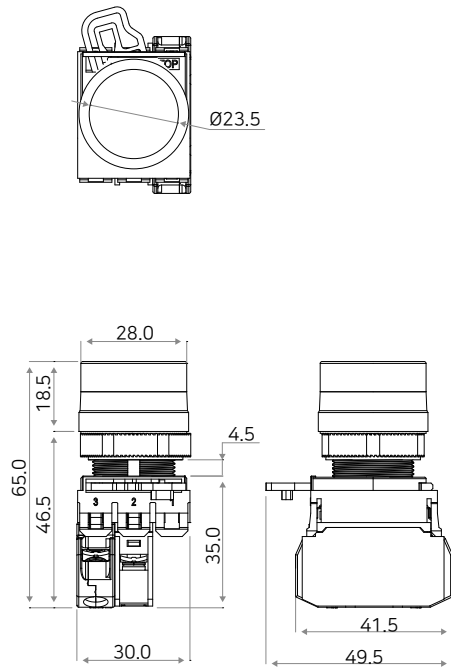
Unit : mm

Pilot Lamp

Push Button



Illuminated Push Button

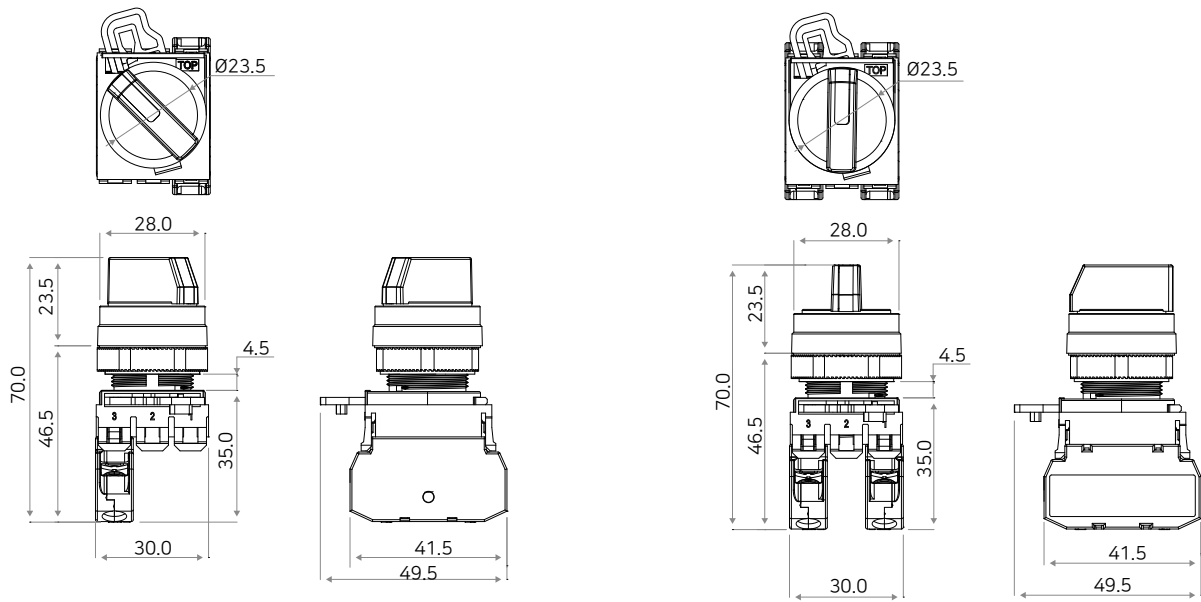


Dimension

Unit : mm

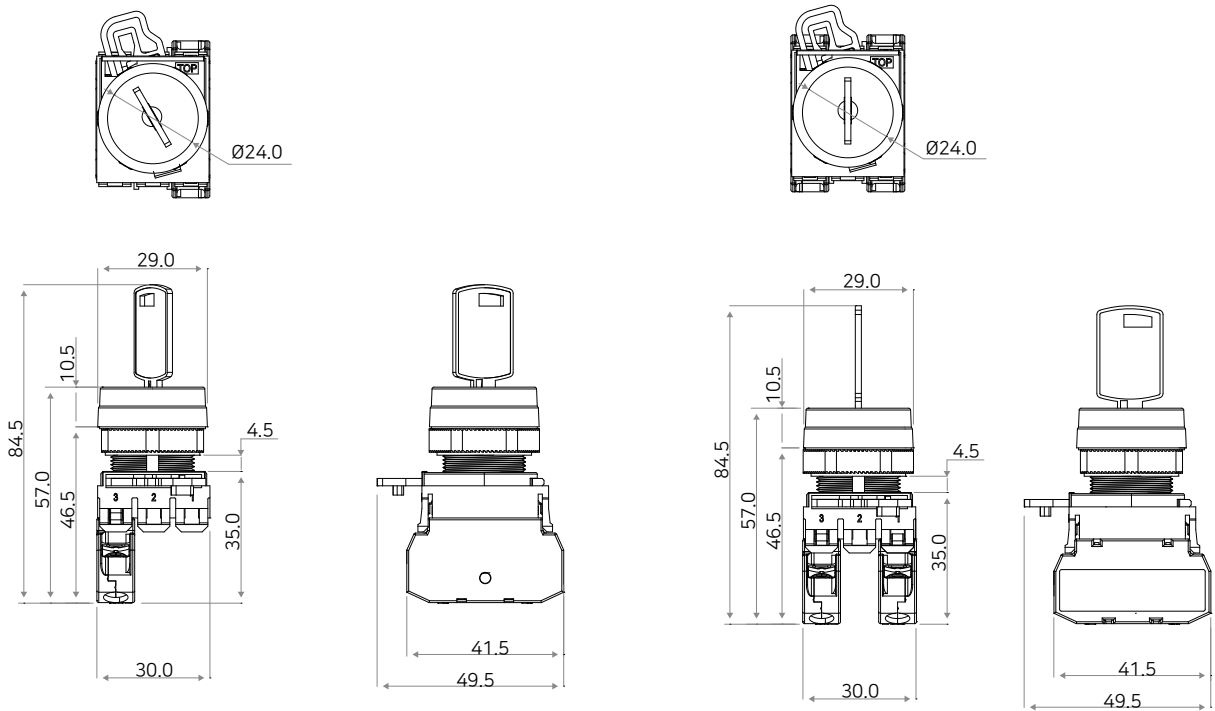
2 Step Selector Switch

3 Step Selector Switch



2 Step Key Selector

3 Step Key Selector



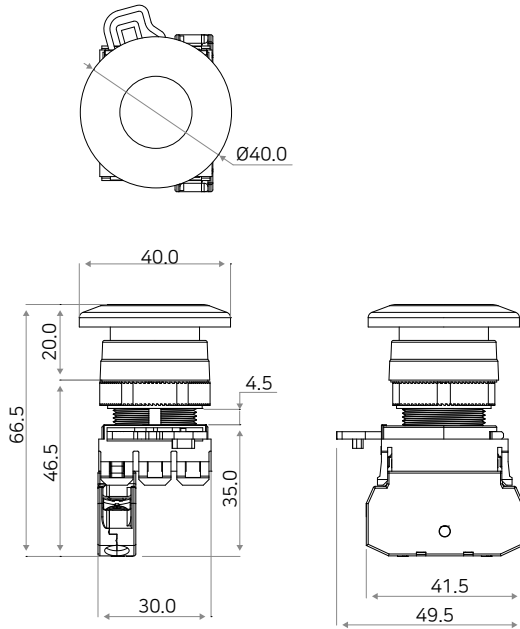
Control Switch

J2 Series

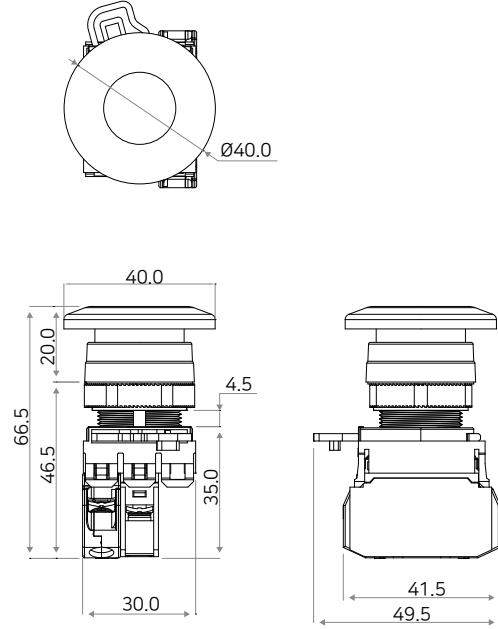
Dimension

Unit : mm

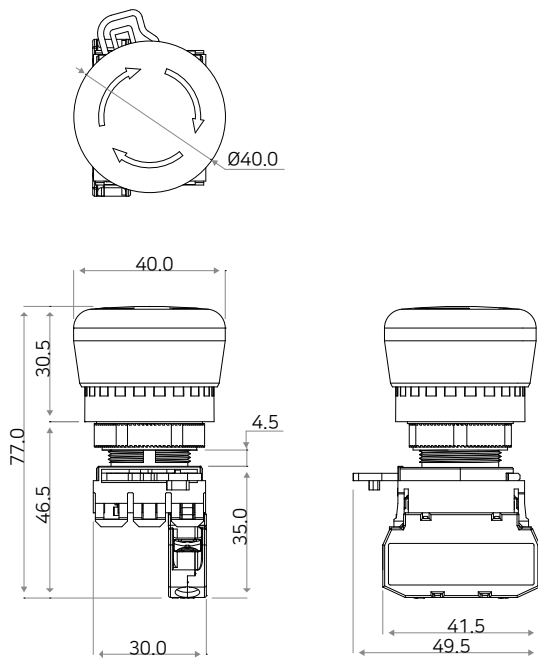
Mushroom Push Button Switch



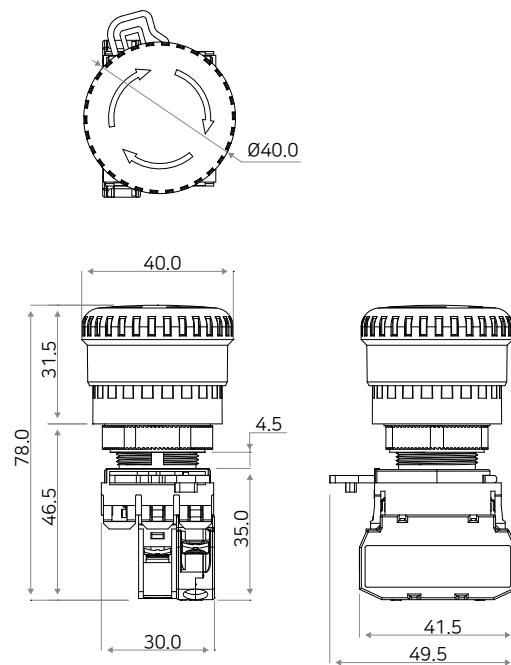
Illuminated Mushroom Push Button Switch



Emergency Switch



Illuminated Emergency Switch

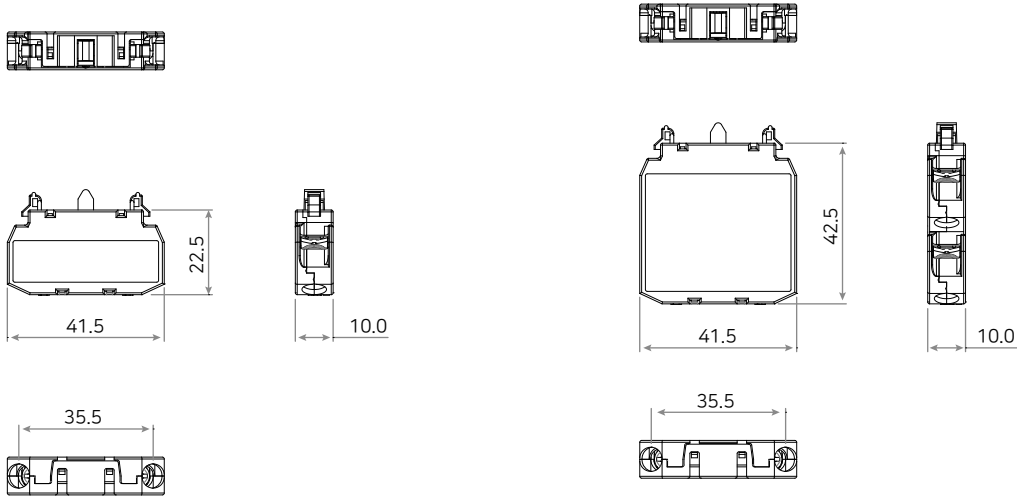


Dimension

Unit : mm

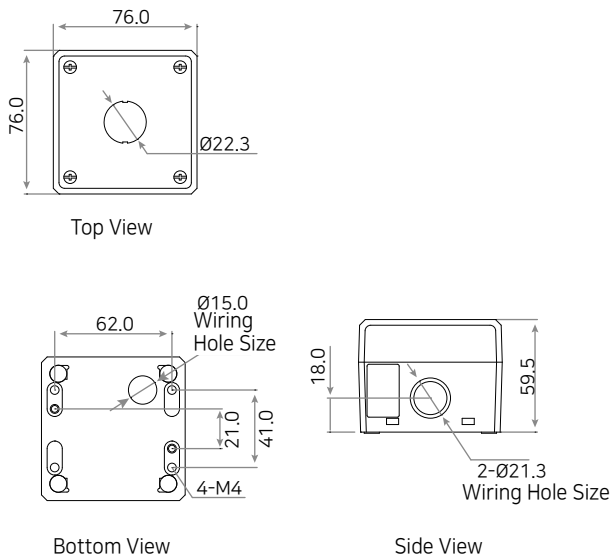
J2-10, J2-01

J2-20, J2-02, J2-11



KEX-101Y

KEG42



Model	"A"	Color
KEG42	Ø22	Red, Green, Orange, Blue Clear, Black

Control Switch

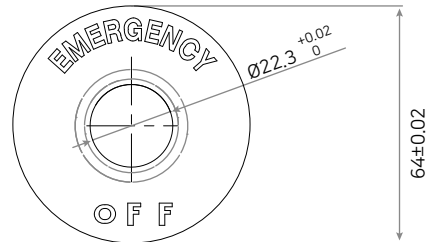
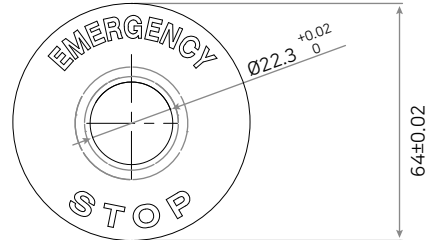
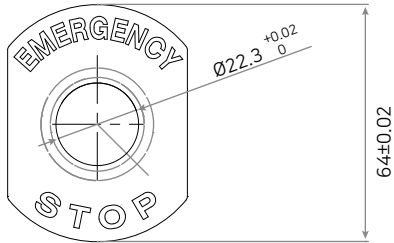
J2 Series

Dimension

Unit : mm

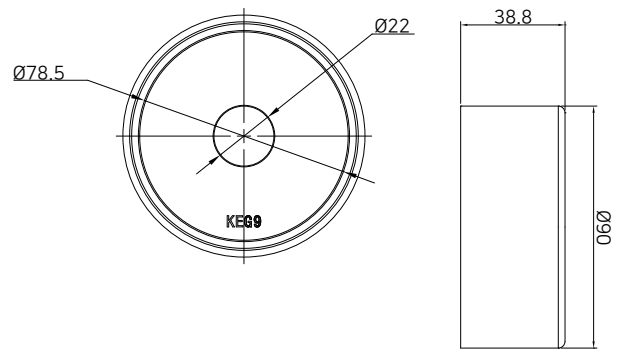
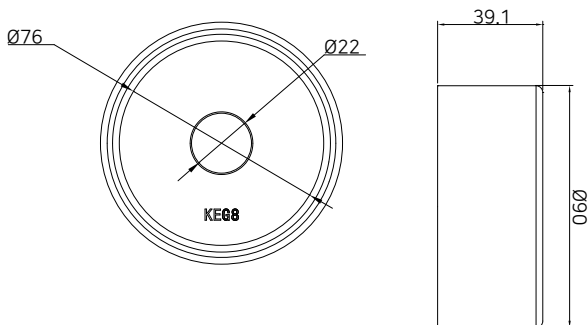
HP119

HP119-1 Series



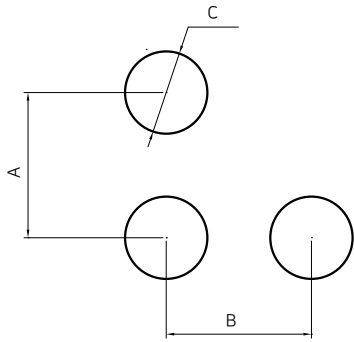
KEG82

KEG92



Pre-Caution

Panel Cut-Out

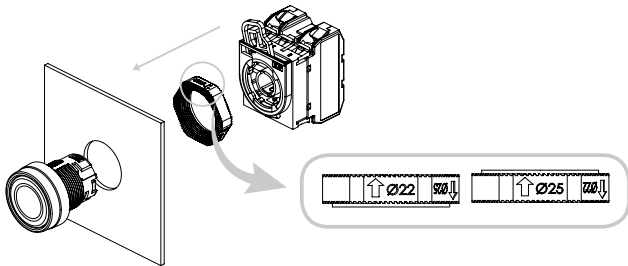


Panel Hole	C
Ø22	22.3
Ø25	25.3

Panel Thickness (Unit : mm)
 With switch alone : 1.0 ~ 4.0
 With optional product : 1.0 ~ 2.2

	A	B
Push Button		
Key Selector	Min. 50	Min. 30
Selector		
Pilot Lamp	Min. 30	Min. 30
Mushroom Push	Min. 50	Min. 40
Emergency switch	Min. 50	Min. 50

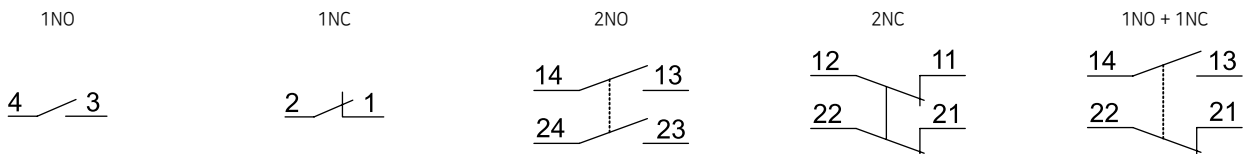
Caution when fixing ring panel is attached



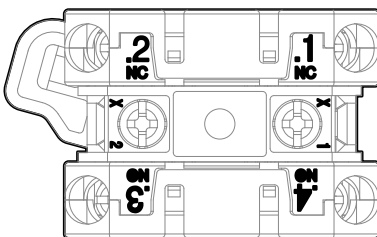
Ø22, Ø25 compatible fixing Ring

Please check numbers on side of the ring for suitable mounting to panel hole.

Terminal Arrangement



Illuminated type terminal arrangement



NC 2 1

X1, X2 : LED Power

NO 4 3

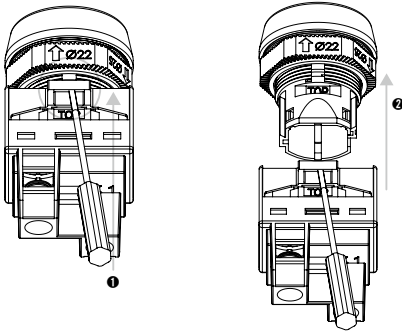
Control Switch

J2 Series

Pre-Caution

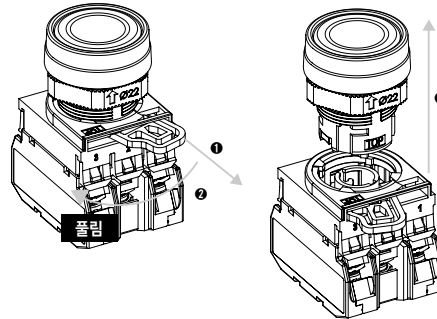
Separation of control unit and main unit

Pilot Light



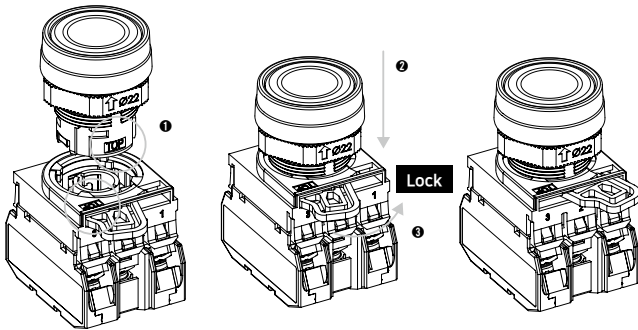
- ❶ Push the hook on a body to upper direction as figure 1
- ❷ Then LED lens shall be disassembled from the body.

Push button, Selector, Key, Emergency Switches



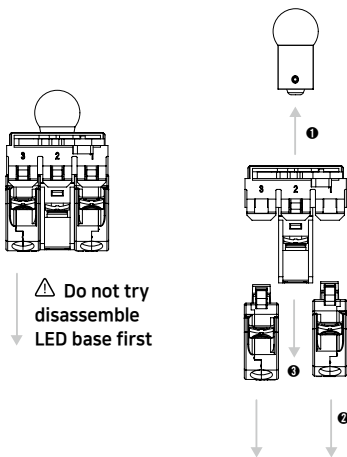
- ❶ Pull and turn the lever as a figure 1.
- ❷ Rotate it in direction 2 to unlock it.
- ❸ Pull out the operator from the body.

How to assemble



- ❶ Match same direct with 'TOP' indication between operator & body as figure 1
- ❷ Assemble operator to body as figure 2.
- ❸ Lock the operator by turning the lever too right as figure 3.

How to change LED



1. Please disassemble as following instruction as figures
Remove ❶ LED -> ❷ Contact block -> ❸ LED base
2. If you do not following the instruction it shall be a cause of broken switches.

Pre-Caution

Key, Selector Switches contact block configuration

2 Step

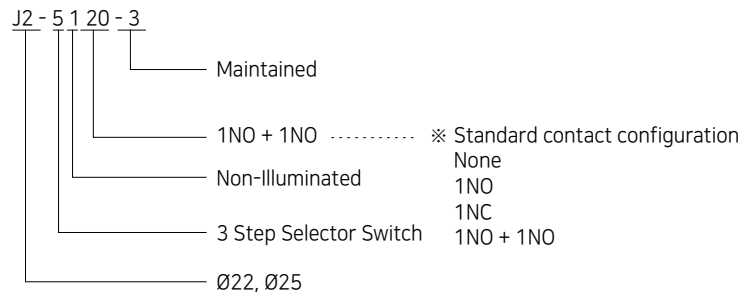
Contact block	Parts number Example	Position	Contact	Lever	
				Left	Right
1NO + 1NO	J2-10 + J2-10	R	NO		•
		L	NO		•
1NO + 1NC	J2-10 + J2-01	R	NO		•
		L	NC	•	
1NC + 1NC	J2-01 + J2-01	R	NC	•	
		L	NC	•	
2NO + 2NC	J2-20 + J2-02	R	NO		•
			NO		•
		L	NC	•	
			NC	•	

3 Step

Contact block	Parts number Example	Position	Contact	Lever		
				Left	Center	Right
1NO + 1NO	J2-10 + J2-10	R	NO			•
		L	NO	•		
1NO + 1NC	J2-10 + J2-01	R	NO			•
		L	NC		—————	
1NC + 1NC	J2-01 + J2-01	R	NC	—————		
		L	NC		—————	
2NO + 2NC	J2-20 + J2-02	R	NO			•
			NO			•
		L	NC		—————	
			NC		—————	



Parts number



Control Switch

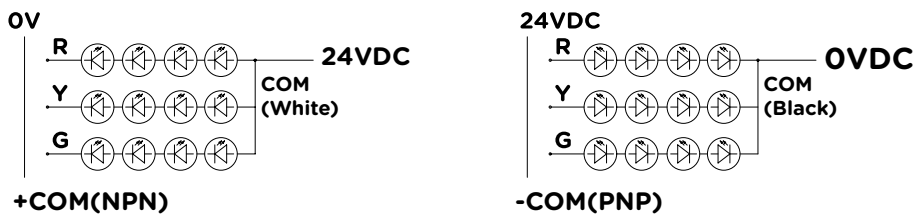
J2 Series

KEG8□YL-△ Circuit composition

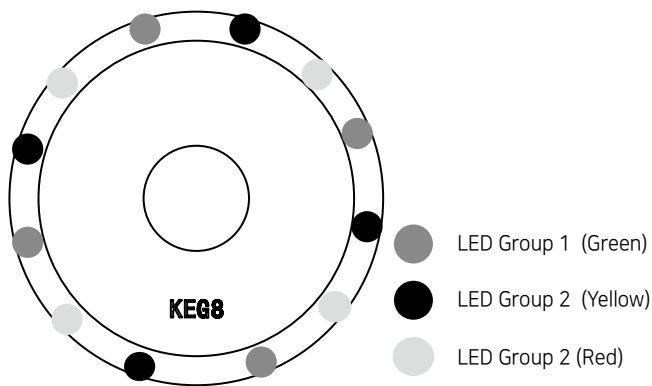
	Wiring system	com	LED Group 1	LED Group 2	LED Group 3
color	+com	White (W)	Red(R)	Yellow(Y)	Green(G)
	-com	Black(K)	Red(R)	Yellow(Y)	Green(G)

※ □ - Ø : 2(Ø22), 5(Ø25), 3(Ø30)
 △ - Wiring system : N(NPN), P(PNP)

KEG8□YL-△ LED Circuit composition



KEG8□YL-△ LED Group layout circuit composition



KEG8□YL-△ Circuit wiring example

