

Slim And Compact Size Relays

K706 Series

Part Number Description

K706	-	①	②	③	④
① Contact Ratings	1PL : 1C			2PL : 2C	
② Option	D : Diode (Only DC)			Blank : None	
③ Function	T : Test Button Type (AC : Red, DC : Blue)			Blank : None	
④ Coil Voltage	6VDC	12VDC	24VDC	48VDC	110VDC
	24VAC	110VAC	230VAC		
※ AC - Red LED DC - Green LED					

General Specification

Contact Ratings	Contact Arrangement	1C	2C			
	Contact Material	Ag alloy (24K Gold Plt.)				
	Maximum Rated Current (Resistance Load)	10A / 250VAC (1P 1C)	5A / 250VAC (2P 2C)			
	Maximum Switching Current	10A (1P 1C)	5A (2P 2C)			
	Maximum Switching Capacity	3,000VA (1P 1C)	2,000VA (2P 2C)			
	Minimum Switching Current*	100mA 5VDC				
	Initial Contact Resistance	100mΩ(1A 6VDC)				
Coil Ratings	Coil Voltage	6VDC	12VDC	24VDC		
		48VDC	110VDC			
		24VAC	115VAC	220/240VAC		
	Coil Consumption	DC(W) : 0.53		AC(VA) : 1.0		
	Minimum Pick-up Voltage	DC : 75% of Nominal Voltage		AC : 80% of Nominal Voltage		
	Maximum Dropout Voltage	DC : 10% of Nominal Voltage DC		AC : 30% of Nominal Voltage AC		
General Ratings	Operating Time	Max. 20ms				
	Release Time	10ms / Standard		20ms / Diode		
	Insulation Resistance	1,000MΩ (500VDC)				
	Dielectric Strength	Between Contact Points	1,000Vrms 1min.			
		Between poles	3,000VAC 1min.			
		Between Contact Points and Coil	5,000Vrms 1min			
	Life Cycle	Mechanical	Min. 10,000,000			
		Electrical	Min. 100,000			
	Vibration Resistant	Malfunction	10 ~ 55Hz (Durable Amplitude 1.5mm)			
		Destruction	10 ~ 55Hz (Durable Amplitude 1.5mm)			
	Shock Resistant	Malfunction	98 m/s ²			
		Destruction	980 m/s ²			
	Ambient Temperature	-40 ~ +55°C (with no Condensing)				
	Ambient Humidity	35% ~ 85% RH				




☞ Please refer to the attention section.

☞ Specifications and materials can be changed without prior notice for the enhancement of the quality.

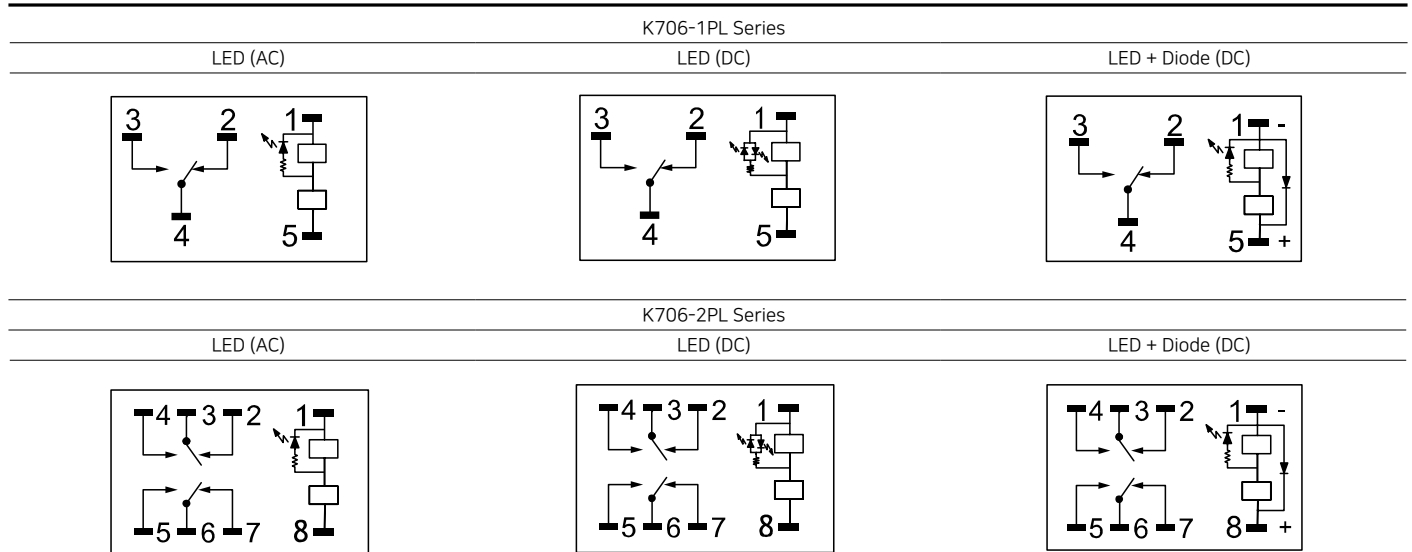
* The minimum switching current is indicated as a standard value. The actual minimum switching rate is variable factor according to the make and break frequency, environmental condition and anticipated credibility level. Therefore, it is recommended that tests be done to test actual load value before the production process.



Part Number Description

	Contact Arrangement	Socket	Rated Voltage	Part Number			
				LED + Diode		LED	
				Test Button	Without Test Button	Test Button	Without Test Button
  	1Pole 1 form C (1C)	KPX12 KPX12-P	24VAC			K706-1PLT 24VAC	K706-1PL 24VAC
			115VAC			K706-1PLT 110VAC	K706-1PL 110VAC
			220/240VAC			K706-1PLT 230VAC	K706-1PL 230VAC
			6VDC	K706-1PLDT 6VDC	K706-1PLD 6VDC	K706-1PLT 6VDC	K706-1PL 6VDC
			12VDC	K706-1PLDT 12VDC	K706-1PLD 12VDC	K706-1PLT 12VDC	K706-1PL 12VDC
			24VDC	K706-1PLDT 24VDC	K706-1PLD 24VDC	K706-1PLT 24VDC	K706-1PL 24VDC
			48VDC	K706-1PLDT 48VDC	K706-1PLD 48VDC	K706-1PLT 48VDC	K706-1PL 48VDC
			110VDC	K706-1PLDT 110VDC	K706-1PLD 110VDC	K706-1PLT 110VDC	K706-1PL 110VDC
			24VAC			K706-2PLT 24VAC	K706-2PL 24VAC
			115VAC			K706-2PLT 110VAC	K706-2PL 110VAC
			220/240VAC			K706-2PLT 230VAC	K706-2PL 230VAC
			6VDC			K706-2PLT 6VDC	K706-2PL 6VDC
12VDC	K706-2PLDT 12VDC	K706-2PLD 12VDC	K706-2PLT 12VDC	K706-2PL 12VDC			
24VDC	K706-2PLDT 24VDC	K706-2PLD 24VDC	K706-2PLT 24VDC	K706-2PL 24VDC			
48VDC	K706-2PLDT 48VDC	K706-2PLD 48VDC	K706-2PLT 48VDC	K706-2PL 48VDC			
110VDC	K706-2PLDT 110VDC	K706-2PLD 110VDC	K706-2PLT 110VDC	K706-2PL 110VDC			

Wiring diagram



Slim And Compact Size Relays

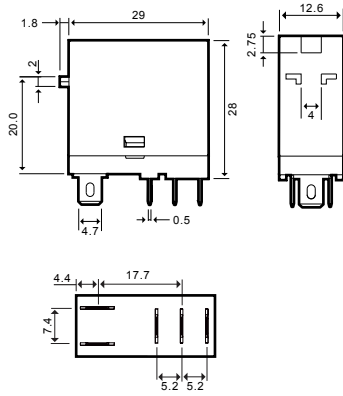
K706 Series

Dimension

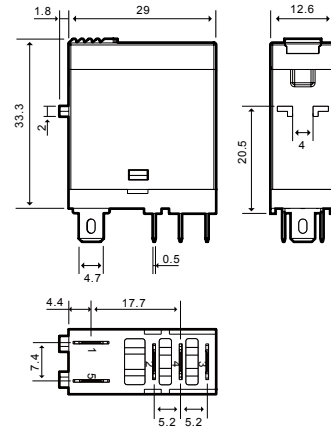
(mm)

K706-1PL Series

Without Test Button

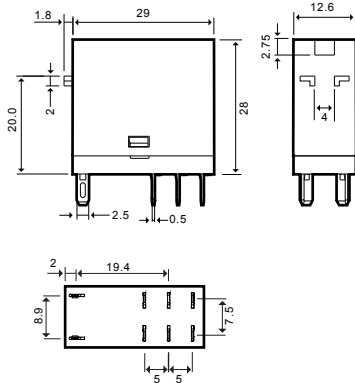


Test Button

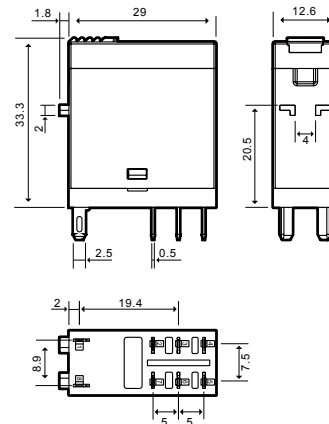


K706-2PL Series

Without Test Button



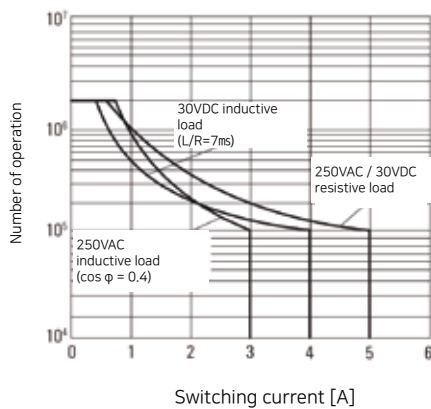
Test Button



⇒ Refer to the socket drawings at page I - 31

Reference Data

Life cycle curve



DC load breaking capacity

