

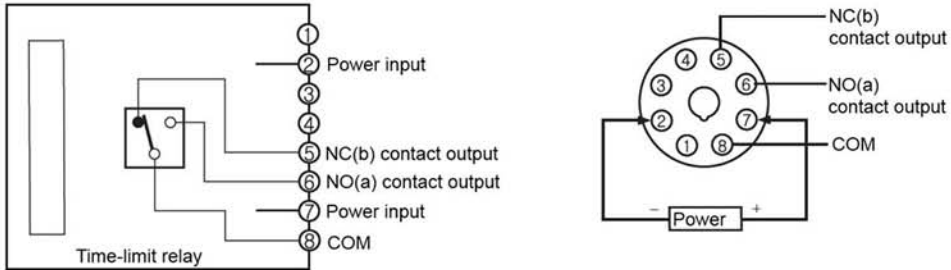
KFR1, 2 FLICKER TIMER



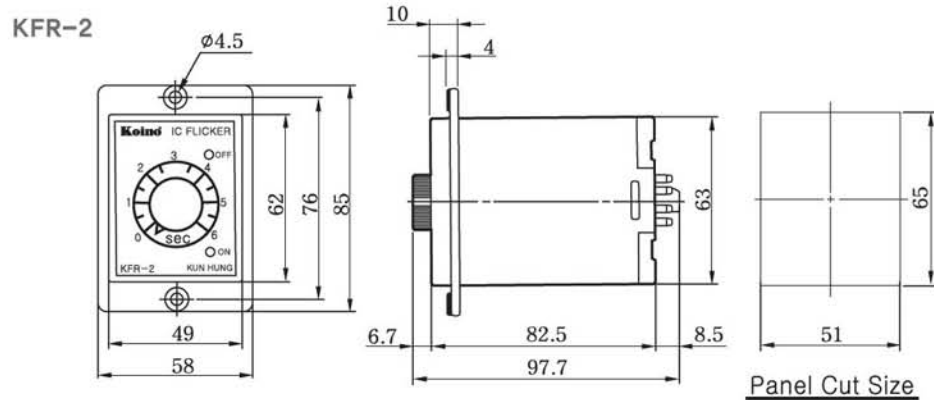
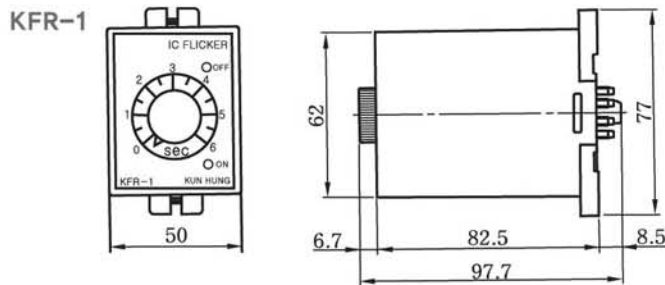
Specification

Model No.	KFR-1	KFR-2
Operation	ON delay	
Indicator	red LED	
Time specification	ON time: 6 seconds Max.	
Time specification	OFF time: 3 seconds Max.	
Socket	KFR-1: KH-TDR-R8	
Socket	KFR-2: KH-MR-8	
Rated voltage	AC type: 110/220VAC, DC type: 12, 24, 110VDC	
Power consumption	Actype: 2.5VA, DC type: 4W	
Contact ratings	220VAC 2.5A	
Relay durability	Mechanical: 5,000,000 cycles of operation	
Relay durability	Electrical: 200,000 cycles of operation	
Insulation resistance	min. 100M Ω (500VDC)	
Dielectric strength	2,000VAC 50/60Hz for 1 minute	
Operating time deviation	\pm 0.5% Max. (for maximum setting time)	
Ambient temperature	-10~+50°C (not freezing condition)	
Vibration resistance	10~55Hz at double amplitude: 0.5mm(X,Y,Z directions) for 1 hour	
Shock resistance	30G	
Ambient humidity	35~85% RH	
Protection	IP50 (indoor use only)	
Material	ABS	
Weight	200~210g	

Wiring diagram



Dimensions



CONTROL COMPONENTS

SQUARE LIGHT

TOWER LIGHT

MICRO SWITCH

FOOT SWITCH

LIMIT SWITCH

POWER SWITCH

HOIST SWITCH

CAM SWITCH

BUZZER

PHOTO SENSOR

PROXIMITY SENSOR

FLOATLESS LEVEL SWITCH

TIMER & COUNTER

RELAY

SOCKETS

TERMINAL BLOCK

CONTROL BOX

PID TEMP. CONTROLLER