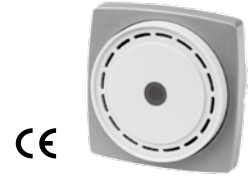


Buzzer




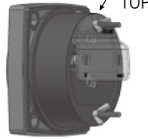
KMB Series



General Specification

Supply Voltage	24VAC, 12/24VDC, 110/125VDC, 110VAC, 220VAC	
Current Consumption	Max. 5W	
Maximum Output	1W	
Maximum Sound Levels	85dB(Phon) / 1m	
Degree of Protection	IP40	
Sound Type	AC : Electrical (vibration sound)	DC : Electronic (Front LED display)
Tightening Torque	0.8N·m (8.16kgf·cm)	

Product Selection

Operating Mechanism	Part Number	Supply Voltage	Operating Mechanism	Part Number	Supply Voltage	Accessory	Part Number
 Exposed Type Buzzer	KMB-N80	24VAC	 Built-in Buzzer	KMB-P80	24VAC	 KMB-C	 TOP ※ Please install it on the top
		12/24VDC			12/24VDC		
		110/125VDC			110/125VDC		
		110VAC			110VAC		
		220VAC			220VAC		

☞ The voltage and specifications other than the aforementioned product are customized. Please contact the agency for delivery data and price.
 ☞ The aforementioned product ratings 110/125VDC and 110VAC refer to the range of 110V ~ 125V.

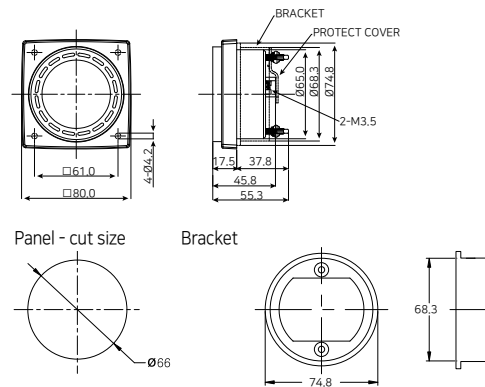
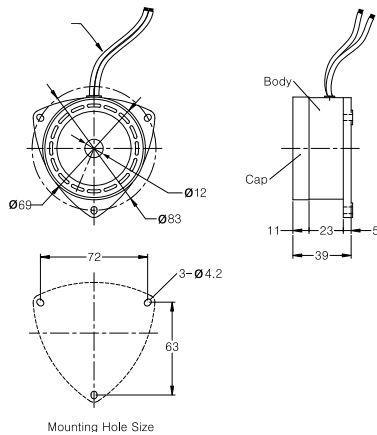
Dimensions & Diagram

Unit : mm

KMB-N80

KMB-P80

Wire length : 200mm x 2
 Lead wire : VCTF 0.75mm² x 2



Caution

- DC electric buzzer has a contact in series with the inductive load coil. Therefore, its life is limited, and it may cause disturbance to other devices due to its noise. Installing a noise filter at the power can prevent the noise.
- The external impact may change the tone.