

KPC-48 COUNTER

CONTROL
COMPONENTSSQUARE
LIGHTTOWER
LIGHTMICRO
SWITCHFOOT
SWITCHLIMIT
SWITCHPOWER
SWITCHHOIST
SWITCHCAM
SWITCH

BUZZER

PHOTO
SENSORPROXIMITY
SENSORFLOATLESS
LEVEL SWITCHTIMER &
COUNTER

RELAY

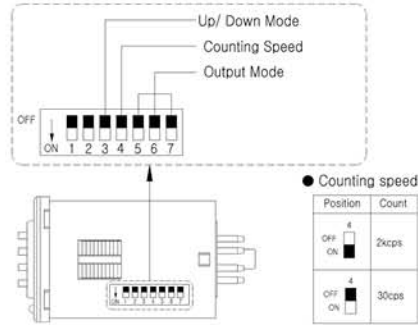
SOCKETS

TERMINAL
BLOCKCONTROL
BOXPID TEMP.
CONTROLLER

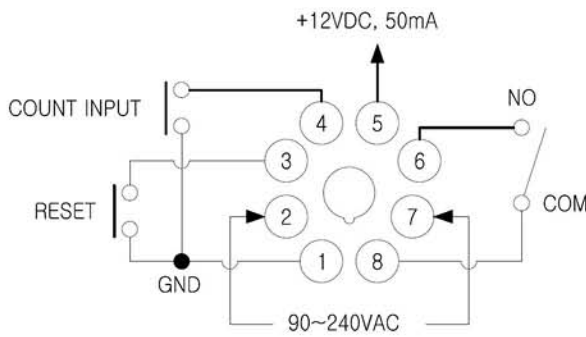
Specification

Display	Red LED(4 digits)	
Wiring	8 pin Socket: KH-KTS-8, KH-RS-R8, KH-MR-8	
Voltage	90~240VAC(50/60Hz)	
Power Consumption	2.2VA	
Returning Time	Power reset: 500ms/ Gate: 20ms	
Output Ratings	250VAC 2A, 30VDC 2A(Resistive Load)	
Output Relay Durability	Mechanical: 10,000,000 operations Electrical: 200,000 operations (Resistive Load)	
Insulation resistance	min. 100MΩ(DC500V)	
Dielectric strength	50/60Hz AC2,000V for 1 minute	
Anti-noise resistance	Square wave (pulse width 1 μs) by noise simulator ± 2KV	
Vibration	Resistance	10~55Hz at double amplitude: 0.75mm(X,Y,Z directions) for 1 hour
	Malfunction	10~55Hz at double amplitude: 0.5mm(X,Y,Z directions) for 10 min.
Shock	Resistance	30G, at 3 axis, 3 times
	Malfunction	10G, at 3 axis, 3 times
Accuracy	± 0.01%	
Protection	IP50	
Ambient Temperature	-10~+55°C (not freezing condition)	
Ambient Humidity	35~85% RH	
Material	PC	
Weight	96 g	

Function selection

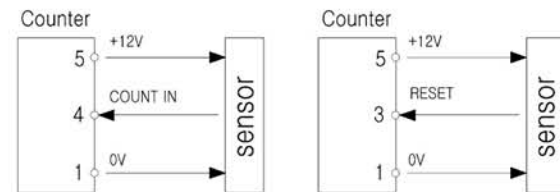


Wiring diagram

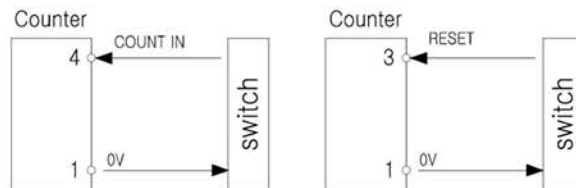


Signal input diagram

Solid state input



Contact input



Counter output selection (continued)

■ : One shot output(0.05~5sec Setting) ▨ : Hold (Hold output) ▤ : Non-Display

Position	UP mode	Position	DOWN mode
3 5 6 7 OFF ON 		3 5 6 7 OFF ON 	
9 8 4 3 2 ON OFF 		9 8 4 3 2 ON OFF 	
9 8 4 3 2 ON OFF 		9 8 4 3 2 ON OFF 	
9 8 4 3 2 ON OFF 		9 8 4 3 2 ON OFF 	
3 5 6 7 OFF ON 		3 5 6 7 OFF ON 	
3 5 6 7 OFF ON 		3 5 6 7 OFF ON 	
3 5 6 7 OFF ON 		3 5 6 7 OFF ON 	
3 5 6 7 OFF ON 		3 5 6 7 OFF ON 	

CONTROL COMPONENTS

SQUARE LIGHT

TOWER LIGHT

MICRO SWITCH

FOOT SWITCH

LIMIT SWITCH

POWER SWITCH

HOIST SWITCH

CAM SWITCH

BUZZER

PHOTO SENSOR

PROXIMITY SENSOR

FLOATLESS LEVEL SWITCH

TIMER & COUNTER

RELAY

SOCKETS

TERMINAL BLOCK

CONTROL BOX

PID TEMP. CONTROLLER

Dimensions

