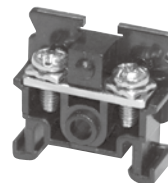


Modular Terminal Block

KTB2, KTB3 Series



Part Number Description

KTB ① - **②**

① Description	2 : Modular Terminal Block & Accessory		3 : Two Level Modular terminal block (10A, 15A)	
② Rated Current	010 : 10A	015 : 15A	025 : 25A	035 : 35A
	060 : 60A	100 : 100A	200 : 200A	300 : 300A
Separator	A10 : 010	A25 : 015,025		A35 : 035
	A60 : 060	A100 : 100	A200 : 200	A300 : 300
Accessory	Cover	CVA : 010	CVB : 015 ~ 035	CVC : 060 ~ 100
	Name Plate	PA : KTB2-010	PB : KTB2-015 ~ 300	
	Stopper	STA : 15mm	STB : 35mm	STC : 35mm (Plastic)
	Din rail	CHA : 10A 15mm 1m	CHA-2M : 10A 15mm 2m	
		CHB : 15A 35mm 1m	CHB-2M : 15A 35mm 2m	
		CHC : 15A 35mm 1M, cutting type		

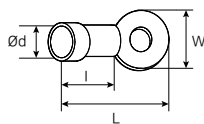
General Specification

Description	KTB2-010	KTB2-015	KTB2-025	KTB2-035	KTB2-060	KTB2-100	KTB2-200	KTB2-300	KTB3-015
Rated Current	10A	15A	25A	35A	60A	100A	200A	300A	15A
Rated Voltage	Max. 600VAC								
Insulation Resistance	1,000M Ω min.(at 500VDC)								
Dielectric Strength	2,500VAC per 1 minute.								
Material	Flame retardant PC (HB)							Flame retardant PC (V2)	

※ Use caution Temperature: -20 to 60 ° C

※ Heat resistance rating (B) 130 ° C (KS C IEC60085)

The specification of the connection Terminal

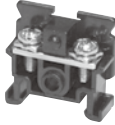
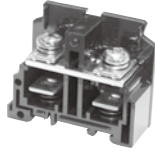
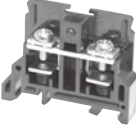
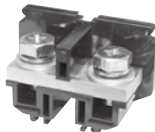
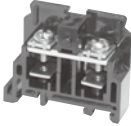
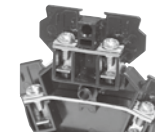
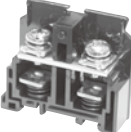
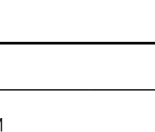



Description	KTB2-010	KTB2-015	KTB2-025	KTB2-035	KTB2-060	KTB2-100	KTB2-200	KTB2-300	KTB3-015
Terminal Bolt	M3.0	M3.5	M4.0		M6.0	M6.0	M10.0	M12.0	M3.5
W(mm)	6.6	6.8	8.7	9.6	12.4	16.5	24.5	29.0	6.8
L(mm)	20.0	20.0	27.0	27.0	30.0	45.5		55.5	20.0
l (mm)	8.0	8.0	14.0		14.5	20.5	20.5	25.5	8.0
d	Ø3.1	Ø3.6	Ø4.1		Ø6.1	Ø6.1	Ø10.1	Ø12.1	Ø3.6













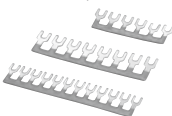

Modular Terminal Block

KTB2, KTB3 Series

Product Selection

	Rated Current	Terminal Bolt	Part Number		Rated Current	Terminal Bolt	Part Number
	10A	M3.0	KTB2-010		60A	M6.0	KTB2-060
	15A	M3.5	KTB2-015		100A	M6.0	KTB2-100
	25A	M4.0	KTB2-025		200A	M10.0	KTB2-200
	35A	M4.0	KTB2-035		300A	M12.0	KTB2-300
					15A	M3.5	KTB3-015

Accessory

Channel		Separator		
KTB2-CHA KTB2-CHA-2M	KTB2-CHB KTB2-CHB-2M	KTB2-CHC KTB2-CHC-2M	KTB2-A10 ~ A300	
				
15mm용	35mm용	35mm용(커팅형)		
Separator		Stopper		
KTB3-A10	KTB3-A15	KTB2-STA	KTB2-STB	KTB2-STC
				
15mm	35mm	15mm	35mm	35mm (Plastic)
	커버	기명판	쇼트바	
KTB2-CVA(10A)	KTB2-CVB (15 ~ 35A) KTB2-CVC (60 ~ 100A)	KTB2-PA (10A용) KTB2-PB (15A 이상용)	KTB2 - S1512 □, KTB2 - S2506 □, KTB2 - S3508 □, KTB3-S1512 □	KTB3-S1010 □
				
※ Flame retardant (V2)	※ Flame retardant (V2)			

⇒ Color : R(red), Y(yellow), K(black), B(blue)

Rev. 2/14

Data subject may change without notice.

www.kacon.co.kr

Industrial Controls Catalog

IV - 61

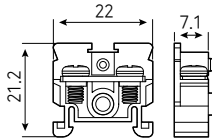
KACON

Dimension

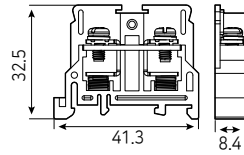
unit : mm

KT B2 Series

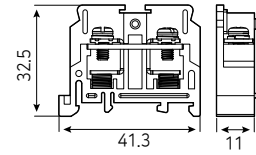
KT B2-010



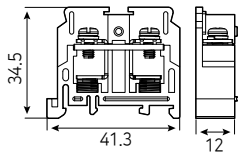
KT B2-015



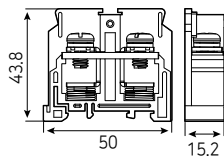
KT B2-025



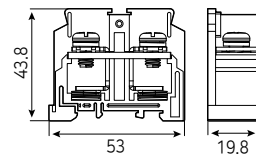
KT B2-035



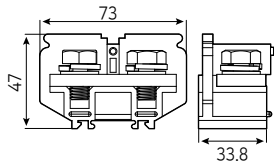
KT B2-060



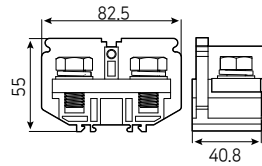
KT B2-100



KT B2-200

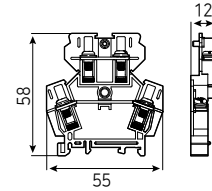


KT B2-300



KT B3 Series

KT B3-015(Two Level)



Option application notification

	KT B2-010	KT B2-015	KT B2-025	KT B2-035	KT B2-060	KT B2-100	KT B2-200	KT B2-300	KT B3-010	KT B3-015
Channel	KT B2-CHA	KT B2-CHB, KT B2-CHC							KT B2-CHA	KT B2-CHB KT B2-CHC
Separator	KT B2-A10	KT B2-A25	KT B2-A35	KT B2-A60	KT B2-A100	KT B2-A200	KT B2-A300	KT B3-A10	KT B3-A15	
Stopper	KT B2-STA	KT B2-STB, KT B2-STC					KT B2-STB	KT B2-STA	KT B2-STB	
Cover	KT B2-CVA	KT B2-CVB			KT B2-CVC			KT B2-CVA	KT B2-CVB	
Name Plate	KT B2-PA	KT B2-PB							KT B2-PA	KT B2-PB
Short Bar		KT B2-S1512	KT B2-S2506	KT B2-S3508					KT B3-S1010	KT B3-S1512