

Limit Switch

KXM Series

Part Number Description

KXM - 1 2

1 Head Type	301 : Push Plunger	726 : Ø50 Adjustable Roller Lever - Rubber	
	302 : Roller Plunger	901 : Spring Rod	
	312 : Cross Roller Plunger	902 : Spring Wire	
	702 : Roller Lever	903 : Spring Rod - Plastic Tip	
	703 : Adjustable Roller Lever	923 : Spring Rod - Metal Tip	
	704 : Adjustable Rod Lever		
2 Indicator Lamp	No mark : Standard (No Indicator)	D : LED Lamp (12 ~ 24VDC/AC)	A : Neon Lamp (100 ~ 240VAC)

General Specification

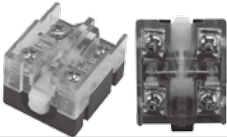


Contact Form	1N/O + 1N/C	
Contact Material	Ag alloy/24K Au Plate	
Rated Current	6A 250VAC · Resistance load	
Insulation Resistance	Min. 100MΩ 500VDC Insulation resistance	
Contact Resistance	Max. 25mΩ	
Dielectric Strength	1,500VAC · 50/60Hz 1 Minute	
Internal Voltage	Between the terminals	1,000VAC · 50/60Hz 1 Min.
	Between each terminal and non-charging parts	1,500VAC · 50/60Hz 1 Min.
Life Cycle	Mechanical	Min. 1,000,000
	Electrical	Min. 300,000
Vibration Resistance	10 ~ 55Hz dual wave length 1.5mm	
Shock Resistance	Malfunction	98m/s ² · Max. 10G
	Destruction	294m/s ² · Max. 30G
Degree Of Protection	IP66	
Ambient Temperature	-20 ~ +60°C · (with no icing)	
Ambient Humidity	Max. 90%RH	
Weight	Approx. 130 ~ 190g	

※ Be sure to use a band clip when using the IP66.

Contact Ratings	Voltage	Non-Inductive				Inductive			
		Resistive Load		Lamp Load		Motor Load		Inductive Load	
		NC(A)	NO(A)	NC(A)	NO(A)	NC(A)	NO(A)	NC(A)	NO(A)
125VAC		6	1.5	0.7	2	1	3		
250VAC		6	1	0.5	1.5	0.8	3		
500VAC		2	0.75	0.35	0.75	0.4	0.75		
30VDC		5		3		3	4		
125VDC	0.4	0.2		-		-			
250VDC									







Contact Block

Indication Lamp Name Plate

KXM-101	KXM-102	KXM-103
24K Au Plate	12 ~ 24VAC/DC LED Lamp	100 ~ 240VAC Neon Lamp
		








Product Selection

	Indicator Lamp	Part Number	Head Type	OF	RF	PT	MD	OT	TT
	Standard	KXM - 301	Push Plunger	900gf (8.83N)	150gf (1.47N)	1.5mm	0.7mm	4mm	5.5mm
	LED Lamp	KXM - 301D							
	Neon Lamp	KXM - 301A							
	Standard	KXM - 302	Roller Plunger	900gf (8.83N)	150gf (1.47N)	1.5mm	0.7mm	4mm	5.5mm
	LED Lamp	KXM - 302D							
	Neon Lamp	KXM - 302A							
	Standard	KXM - 312	Cross Roller Plunger	900gf (8.83N)	150gf (1.47N)	1.5mm	0.7mm	4mm	5.5mm
	LED Lamp	KXM - 312D							
	Neon Lamp	KXM - 312A							
	Standard	KXM - 702	Roller Lever	600gf (5.88N)	150gf (0.49N)	20°	10°	75°	95°
	LED Lamp	KXM - 702D							
	Neon Lamp	KXM - 702A							
	Standard	KXM - 703	Adjustable Roller Lever	800gf (7.84N) ~ 342gf (3.35N)	50gf (0.49N) ~ 21gf (0.21N)	20°	10°	75°	95°
	LED Lamp	KXM - 703D							
	Neon Lamp	KXM - 703A							
	Standard	KXM - 704	Adjustable Rod Lever	800gf (7.84N) ~ 230gf (1.99N)	50gf (0.49N) ~ 12gf (0.12N)	20°	10°	75°	95°
	LED Lamp	KXM - 704D							
	Neon Lamp	KXM - 704A							

Limit Switch

KXM Series

Product Selection

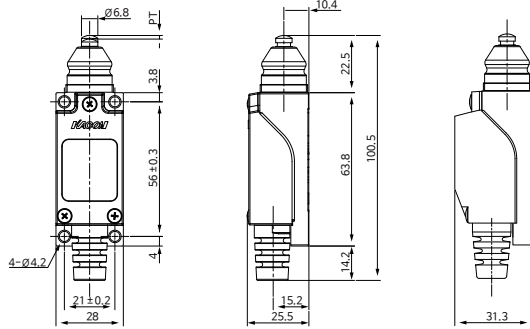
	Indicator Lamp	Part Number	Head Type	OF	RF	PT	MD	OT	TT
	Standard	KXM-726	Ø50 Adjustable Roller Lever Type	800gf (7.84N) ~ 342gf (3.35N)	50gf (0.49N) ~ 21gf (0.21N)	20°	10°	75°	95°
	LED Lamp	KXM-726D							
	Neon Lamp	KXM-726A							
	Standard	KXM-901	Spring Rod	90gf (0.88N)		30°		20°	50°
	LED Lamp	KXM-901D							
	Neon Lamp	KXM-901A							
	Standard	KXM-902	Spring Wire	90gf (0.88N)		30°		20°	50°
	LED Lamp	KXM-902D							
	Neon Lamp	KXM-902A							
	Standard	KXM-903	Spring Rod-Plastic Tip	90gf (0.88N)		30°		20°	50°
	LED Lamp	KXM-903D							
	Neon Lamp	KXM-903A							
	Standard	KXM-923	Spring Rod-Metal Tip	90gf (0.88N)		30°		20°	50°
	LED Lamp	KXM-923D							
	Neon Lamp	KXM-923A							

Dimension

unit : mm

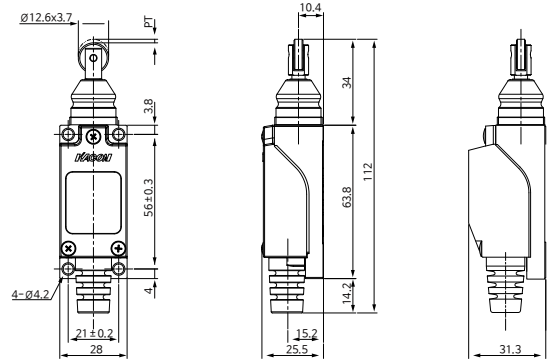
Push Plunger
KXM-301

Standard Type with Neon / LED Type



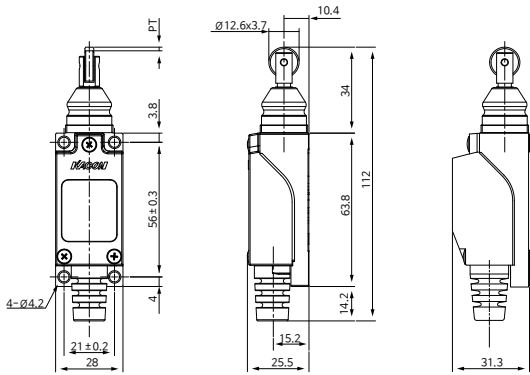
Roller Plunger
KXM-302

Standard Type with Neon / LED Type



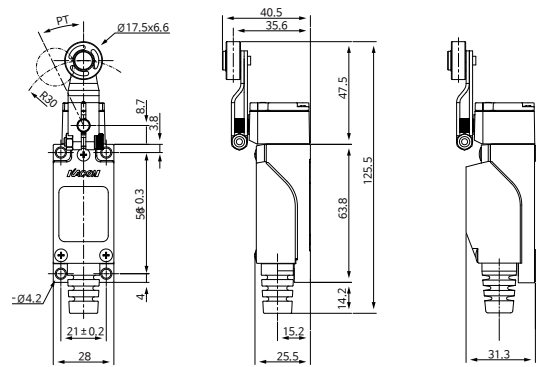
Cross Roller Plunger
KXM-312

Standard Type with Neon / LED Type



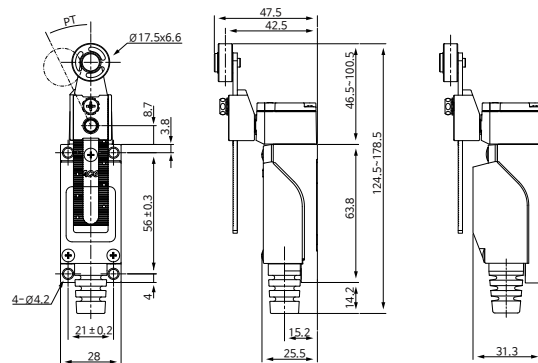
Roller Lever
KXM-702

Standard Type with Neon / LED Type



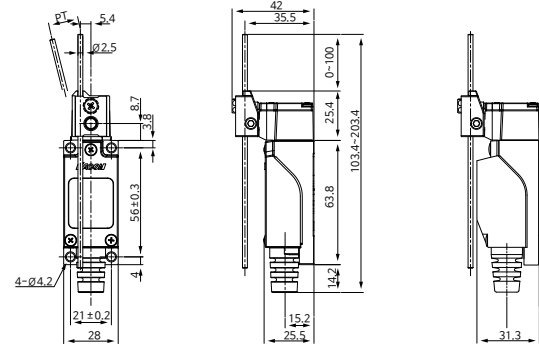
Adjustable Roller Lever
KXM-703

Standard Type with Neon / LED Type



Adjustable Rod Lever
KXM-704

Standard Type with Neon / LED Type



Limit Switch

KXM Series

Dimension

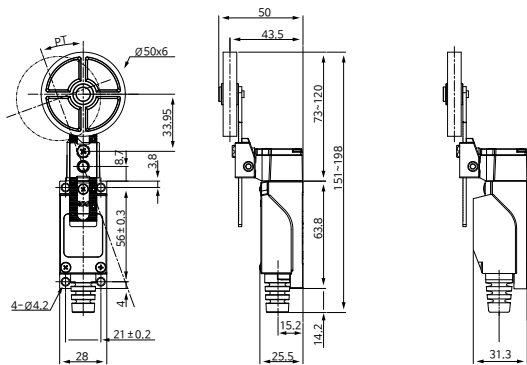
unit : mm

Ø50 Adjustable Roller Lever Type

KXM-726

Standard Type

with Neon / LED Type

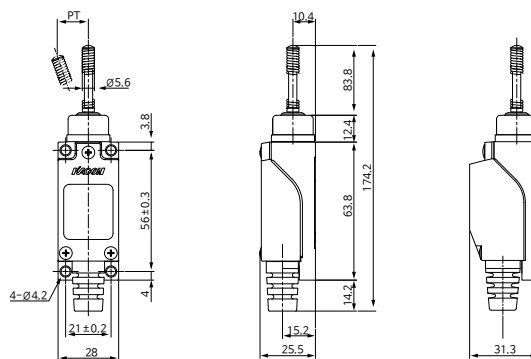


Spring Rod

KXM-901

Standard Type

with Neon / LED Type

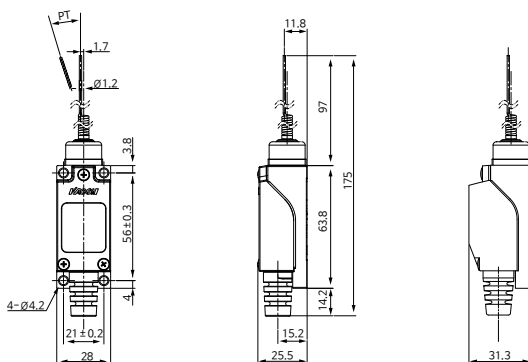


Spring Wire

KXM-902

Standard Type

with Neon / LED Type

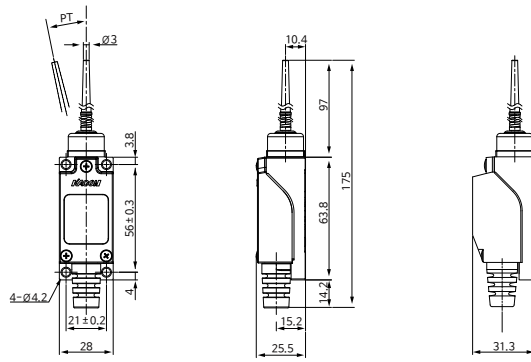


Spring Rod-Plastic Tip

KXM-903

Standard Type

with Neon / LED Type

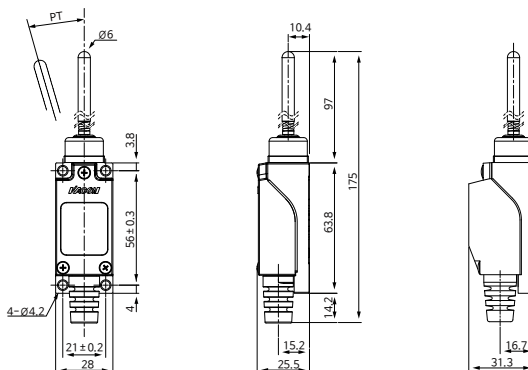


Spring Rod-Metal Tip

KXM-923

Standard Type

with Neon / LED Type



Operation indicator lamp Ratings

Indicator Lamp	Item		
	Rated voltage	Rated current	Order code
NEON lamp	80 ~ 240VAC	0.2 ~ 1.5mA	AC load: KXM - □A
LED lamp	12 ~ 24VDC	0.5 ~ 1.5mA	DC load: KXM - □D

- There are two types of lamps: Neon and LED lamps.
- The circuit check and fault detection are easy because the switch operation status is easily checked outside.
- This is ideal for the places where checking the passage of products is difficult on the conveyor line.
- The LED type has the + or - polarity. Pay attention to the polarity, which is indicated inside.
- The lens section of the indicator lamp cover ensures sufficient brightness with its diffusible resin diamond cut structure.
- The waterproof performance is excellent because the indicator lamp and cover are formed together.



Operation indicator lamp direction shift

- The lamp terminal does not require additional wiring, because it is connected via the spring in the indicator cover and the built-in switch terminal bolts.
- The indicator lamp can be selected between the modes of "ON in operation" and "ON in nonoperation".
- The indicator lamp can be shifted by removing the lamp holder inside the cover using tools including drivers.



Lamp holder removal



ON in operation

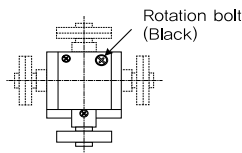


ON in non-operation

- The user can change the mode of operation status indication by changing the lamp holder mounting direction by 180° (up or down) inside the indicator lamp cover.
- The factory setting is "ON in operation"

Head mounting

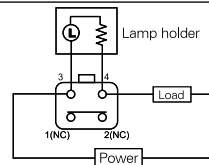
In the lever type, the head can be placed in one of four directions at 90° rotation interval.



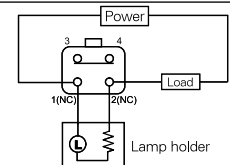
To change the head direction, loosen the black bolt on the top of the head, rotate the head, and tighten the bolt again.

Operation indicator lamp wiring and circuit diagram

Internal wiring



ON in non-operation
[Lamp ON when NC ON]

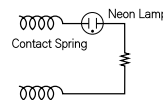


ON in operation
[Lamp ON when NO ON]

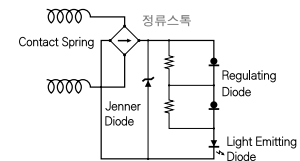
⇒ Caution: Use the same power supply for terminals / Connect the same polarity for terminals 1 and 4, and 2 and 3.

Diagram

NEON Lamp

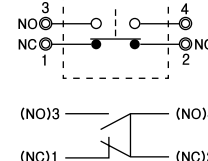
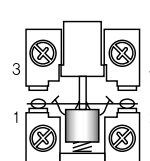


LED Lamp



Built-in switch circuit diagram

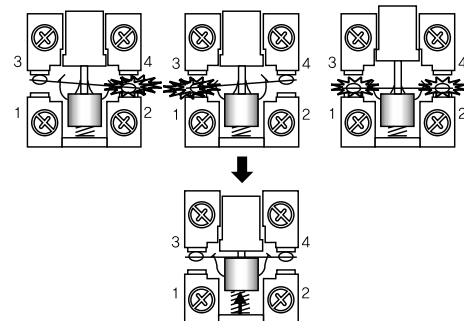
24K Au Plate



Direct contact opening ⇔ Direct Opening

1. The device is safe with the mechanism that cuts off the circuit when the switch contact weld occurs.
2. If the contact weld appears, the plunger directly pushes up the movable terminal to forcefully separate the NC contact and cut off the circuit.
3. The direct opening function is for the Nc contact only.
4. The plunger continues to push the movable terminal during operation, and the circuit is not cut off by mechanical impact.

Welding



Contact weld After direct opening

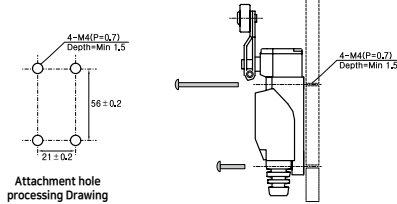
Limit Switch

KXM Series

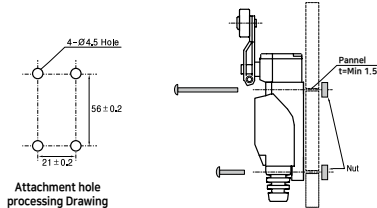
Mounting on the panel

1. This product can be mounted on the front or rear.
2. Before the installation of the product, determine its position so that the OT of the actuator is proper.
⇒ An excessive OT leads to a decrease in the product life due to the strong wear and fatigue
3. After determining the mounting position, refer to the following types to process the panel.
4. Be sure to use spring washers for the mounting bolts so that the product will not be removed by vibration or impact.

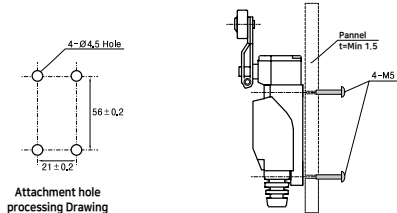
Type 1. Front Attached - Direct Tap Processing on the panel



Type 2. Front Attachment - Direct hole processing on the panel



Type 3. Rear Attachment - Using M5 Tap of the product



⇒ The bolts and nuts above are shipped together with the product.

Wires

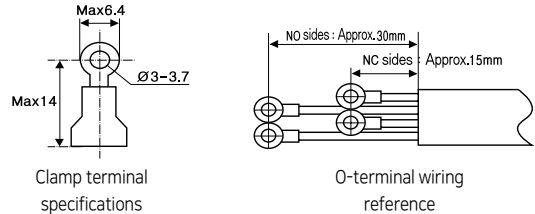
1. The proper size of wires that pass through the wiring lead-out (NBR) is $\varnothing 6.6 \sim \varnothing 8.5$.
2. The use of VCTF cable is desirable.
3. The following table shows the specifications of the VCTF cable. Refer to the table for cable selection.

Small Line Number	Conductor (L)	Completed outer diameter (I)
2 wire	0.75mm ²	$\varnothing 6.6\text{mm}$
	1.25mm ²	$\varnothing 7.4\text{mm}$
	2.0mm ²	$\varnothing 8.0\text{mm}$
3 wire	0.75mm ²	$\varnothing 7.0\text{mm}$
	1.25mm ²	$\varnothing 7.8\text{mm}$
	2.0mm ²	$\varnothing 8.5\text{mm}$
4 wire	0.75mm ²	$\varnothing 7.6\text{mm}$
	1.25mm ²	$\varnothing 8.5\text{mm}$



VCTF : The cable for 300 V or less indoor small appliances, which is manufactured by insulating stranded copper wires with PVC.

4. When wiring the switch terminals, do not directly connect the lead wire to the terminal, but use the O-type clamp terminal with insulation shielding.
5. After wiring, be sure to mount the cover before applying the power. Otherwise, it may lead to an electric shock.



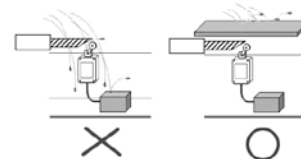
Tightening torque

When mounting the product, excessive force for bolts or nuts may damage the product. Observe the following tightening torques.

Front Attachment	M4- Max. 12kgf.cm / 1.2N.m
Rear Attachment	M5- Max. 19.6kgf.cm / 2.0N.m
Switch Terminal	M3- Max. 4.9kgf.cm / 0.5N.m

Environment

- Do not use the product under water or oil, nor in the environment where it is influenced by oil or water because this product is not completely oiltight.
- Do not use the product in the places where there are risks of fire and corrosion.
- Actual conditions may affect the product reliability including the guaranteed life and tightness.

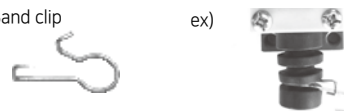


Basic Accessories

- Front attachment-M4×35 2EA, M4×20 2EA
- Rear Attachment-M5×10 4EA



- Band clip



Tighten the bottom wire outlet using a band clip.

Limit Switch

ZLN15G Series



Part Number Description

ZLN15G



1 Head Type	10 : Short Long Push Plunger	010 : Push Plunger		
	03 : Long Push Plunger	030 : Roller Plunger	031 : Cross Roller Plunger	
	05 : Hinge Short Lever	06 : Hinge Lever	07 : Roller Lever	09 : Roller Short Lever

General Specification

Contact Form		1C
Contact Material		Ag alloy
Contact & Contact Distance		0.5mm
Insulation Resistance		Max. 100MΩ 500VDC
Contact Resistance		Min. 50mΩ
Operation Speed		0.01mm/sec ~ 0.5m/sec
Allowed operation frequency	Electrical	Max. 20 Min.
	Mechanical	Max. 120 Min.
Dielectric Strength	Between the terminals of the same polarity	1,000VAC 1Min.
	Between each terminal and non-charging metal parts	2,000VAC 1Min.
Life Cycle	Electrical	Min. 500,000
	Mechanical	Min. 1,000,000
Vibration Resistance	Malfunctional	10 ~ 55Hz Durable amplitude 1.5mm
Shock Resistance	Destruction	Max. 100G
	Malfunctional	Max. 30G
Ambient Temperature		-10 ~ +80°C (with no icing)
Ambient Humidity		35% ~ 85% RH
Tightening Torque		1.2N·m (12.25kgf·cm)
Maximum Inrush Current		Normal Open(NO) 15A Normal Close(NC) 30A

	Voltage	Resistance Load	Non-Inductive		Inductive Load	Inductive Motor Load	
			Lamp Load			Normal Open NO	Normal Close NC
			Normal Open NO	Normal Close NC			
Contact Ratings	125VAC	15A	1.5A	3A	15A	2.5A	5A
	250VAC	10A	1.25A	2.5A	10A	1.5A	3A
	500VAC	10A	0.75A	1.0A	6A	0.75A	1.5A
	8VDC	15A	1.5A	3A	15A	2.5A	5A
	14VDC	15A	1.5A	3A	10A	2.5A	5A
	30VDC	6A	1.5A	3A	5A	2.5A	5A
	125VDC	0.5A	0.5A	0.5A	0.05A	0.05A	0.05A
	250VDC	0.25A	0.25A	0.25A	0.03A	0.03A	0.03A


Product Selection

	Part Number	Contact	Head Type	OF	RF	PT	MD	OT	TT
	ZLN15G10	1C	Short Long Push Plunger	600g	100g	2.0mm	0.8mm	0.5mm	-
	ZLN15G010	1C	Push Plunger	600g	100g	2.0mm	0.8mm	0.5mm	-
	ZLN15G03	1C	Long Push Plunger	600g	100g	2.0mm	0.8mm	6.0mm	8.0mm
	ZLN15G030	1C	Roller Plunger	600g	100g	2.0mm	0.8mm	6.0mm	8.0mm
	ZLN15G031	1C	Cross Roller Plunger	600g	100g	2.0mm	0.8mm	6.0mm	8.0mm

Limit Switch

ZLN15G Series

Product Selection

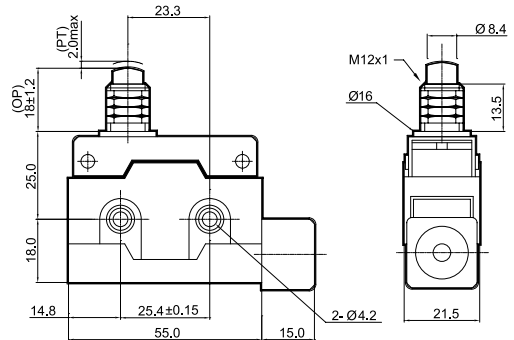
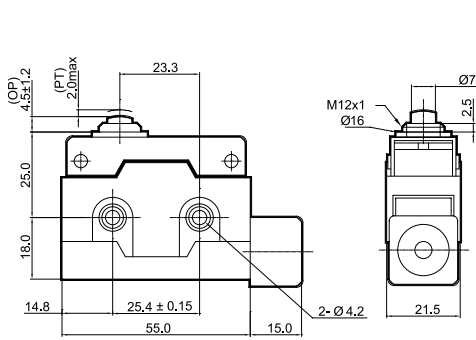
	Part Number	Contact	Head Type	OF	RF	PT	MD	OT	TT
	ZLN15G05	1N/O+1N/C	Hinge Short Lever	150g	40g	13.5mm	3.2mm	4.0mm	17.5mm
	ZLN15G06	1N/O+1N/C	Hinge Lever	150g	40g	13.5mm	3.2mm	4.0mm	17.5mm
	ZLN15G07	1N/O+1N/C	Roller Lever	180g	50g	11.0mm	2.4mm	3.0mm	8.5mm
	ZLN15G09	1N/O+1N/C	Roller Short Lever	240g	80g	6.5mm	1.5mm	2.0mm	8.5mm

Dimension

unit : mm

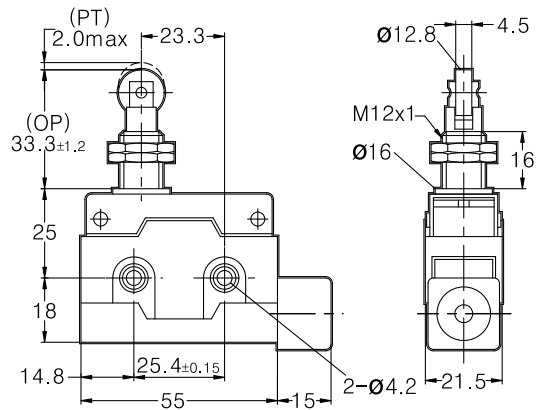
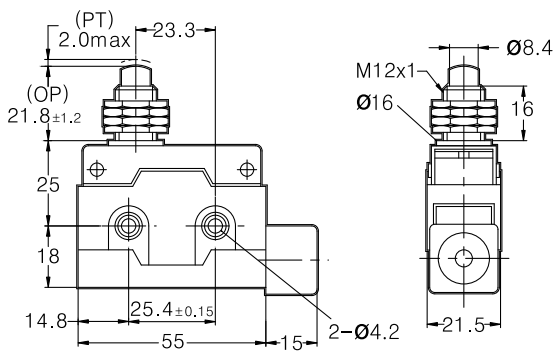
ZLN15G10

ZLN15G010

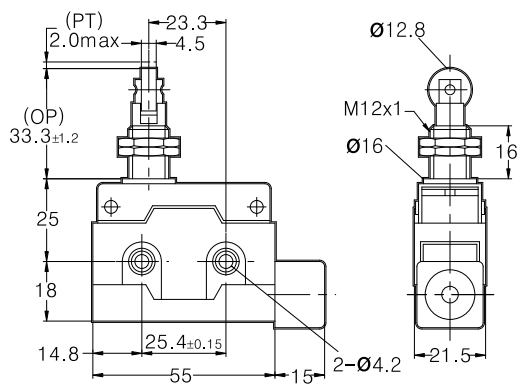


ZLN15G03

ZLN15G030



ZLN15G031



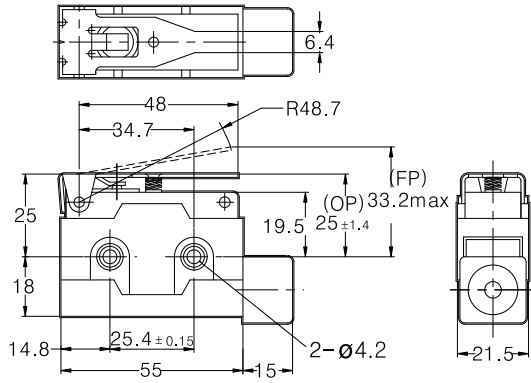
Limit Switch

ZLN15G Series

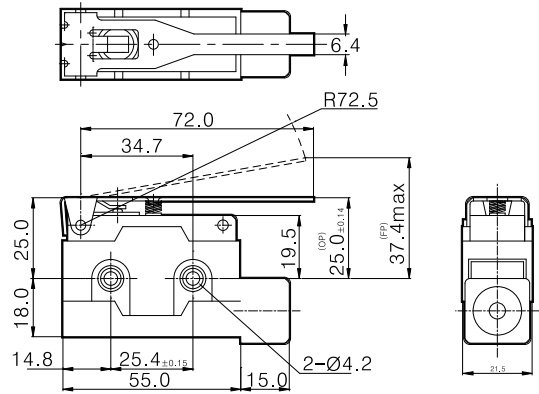
Dimension

unit : mm

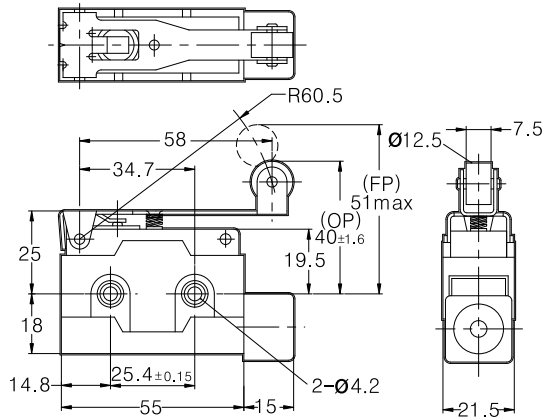
ZLN15G05



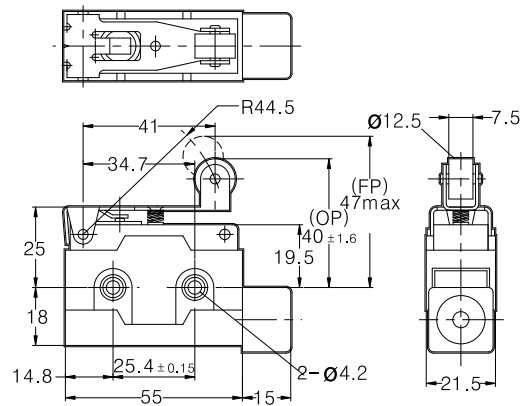
ZLN15G06



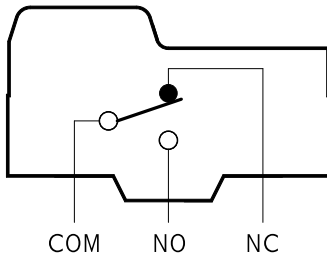
ZLN15G07



ZLN15G09

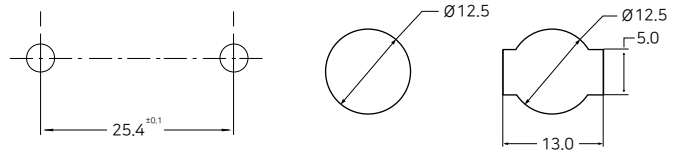


Circuit Drawing



COM : Common Terminal
 NO : Always Open Terminal
 NC : Always Closed Terminal

Attachment Hole Processing Drawing



Wiring method

1. Use a (-) driver to remove the cover.
2. Pass the wire through the rubber packing on the terminal cover.
3. Connect the lead wire to the terminal.
4. Restore the terminal cover.

Precautions

- Drill drainage holes if water or oil may flow in the switch.
- Avoid strong acid, alkali and high temperature.
- ※ Specifications and materials may change without prior notice to improve the product quality.

Glossary

Operating characteristics	Category	Abbr.	Term	Unit	Definition
	Force	Force required for operation	OF	g, kg g-mm	Force on the actuator required for the motion from the free position to the operating position
		Restoring force	RF	g, kg g-mm	Force on the actuator required for the motion from the operating limit position to the restoring position
		Force required for entire motion	TF	g, kg g-mm	Force on the actuator required for the motion from the operating position to the operating limit position
	Motion	Motion to the operating position	PT	mm, deg	Distance or angle from the free position of the actuator to the operating position
		Motion after operation	OT	mm, deg	Distance or angle from the operating position of the actuator to the operating limit position
		Hysteresis distance	MD	mm, deg	Distance or angle from the operating position of the actuator to the restoring position
		Total motion	TT	mm, deg	Distance or angle from the free position of the actuator to the operating limit position
	Position	Free position	FP	mm, deg	The position of the operating part when no force is applied from outside
		Operating position	OP	mm, deg	The position of the actuator when the external force is applied to the actuator and the moving contact reverses from the free position
		Restoring position	RP	mm, deg	The position of the actuator when the external force to the actuator is reduced and the moving contact reverses from the operating position to the free position
		Operating limit position	TTP	mm, deg	The position of the actuator when the actuator reaches the actuator stop position

Limit Switch

KL Series



Part Number Description

KL 1

1 Head Type	S-A-P1 : Push Plunger	S-A-P2 : Roller Plunger	S-A-L1 : Roller Lever Plunger	S-A-L2 : Roller Lever
	S-A-L4 : Adjustable Roller Lever	S-A-L3 : Adjustable Rod Lever		
	L-A-P1 : Push Plunger	L-A-P2 : Roller Plunger	L-A-L1 : Roller Lever Plunger	L-A-L2 : Roller Lever
	L-A-L4 : Adjustable Roller Lever	L-A-L3 : Adjustable Rod Lever		
	M-A-P1 : Push Plunger	M-A-P2 : Roller Plunger	M-A-L1 : Roller Lever Plunger	M-A-L2 : Roller Lever
	M-A-L4 : Adjustable Roller Lever	M-A-L3 : Adjustable Rod Lever		

General Specification

Contact Form	1N/O + 1N/C
Contact Material	Ag alloy
Insulation Resistance	100MΩ 500VDC
Contact Resistance	Max. 50mΩ
Max. Allowable Inrush current	0.2A 125VDC

Contact Ratings	Voltage	Non-Inductive				Inductive			
		Resistance Load		Lamp Load		Inductive Load		Motor Load	
		Normal Open (N/O)	Normal Close (N/C)	Normal Open (N/O)	Normal Close (N/C)	Normal Open (N/O)	Normal Close (N/C)	Normal Open (N/O)	Normal Close (N/C)
	125VAC	10A	10A	1.5A	3A	2.5A	5A	6A	6A
	250VAC	10A	10A	1A	2A	1.5A	3A	4A	4A
	600VAC	1A	3A	0.5A	1A	0.5A	1A	1.5A	1.5A
	8VDC	10A	10A	3A	6A	6A	6A	10A	10A
	30VDC	6A	6A	3A	4A	4A	4A	6A	6A
	125VDC	0.8A	0.8A	0.2A	0.2A	0.2A	0.2A	0.8A	0.8A

·The above figure means the normal current.
 ·The Inductive load has the power factor of 0.4 or above (AC) and a correction factor of 7m/s or lower (DC).
 ·The lamp load generates approx. 10 times more inrush current, while the motor load generates 6 times more.

Operation Speed	0.01mm/sec ~ 0.5m/sec	Shock Resistance	Destruction	Plunger Max. 30G	
On/Off Frequency	Electrical	Max. 30 Min.		Lever Max. 20G	
	Mechanical	Max. 120 Min.	Malfunction	Max. 100G	
Dielectric Strength	Between the terminals of the same polarity	1,000VAC 1Min.	Life Cycle	Mechanical	Min 500,000
	Between the charging metal pieces and the earth	2,000VAC 1Min.		Electrical	Min 1,000,000
	Between each terminal and non-charging metal parts	2,000VAC 1Min.	Ambient Temperature	-25°C ~ +80°C (with no icing)	
Vibration Resistance	10Hz ~ 55Hz Dual wave length 1.5mm		Ambient Humidity	35% ~ 85% RH	
Tightening Torque	0.8N·m (8.16kgf·cm)				

☞ The above specification and the material can be changed without notice for the improvement of the quality.

Rev. 2/14

Data subject may change without notice.







www.kacon.co.kr

Industrial Controls Catalog

III - 45

KACOM





Product Selection

	Part Number	Contact	Head Type	OF	RF	PT	MD	OT	TF
	K-L-SAP1	1N/O+1N/C	Push Plunger	2,720g	910g	1.7mm	1.0mm	6.4mm	-
	K-L-SAP2	1N/O+1N/C	Roller Plunger	2,720g	910g	1.7mm	1.0mm	5.6mm	-
	K-L-SAL1	1N/O+1N/C	Roller Lever Plunger	700g	170g	4.5mm	1.0mm	6.4mm	-
	K-L-SAL2	1N/O+1N/C	Roller Lever	1,360g	227g	20° ±5	12°	40°	200g
	K-L-SAL4	1N/O+1N/C	Adjustable Rod Lever	142g	28g	20° ±5	12°	40°	200g
	K-L-SAL3	1N/O+1N/C	Adjustable Roller Lever	1,360g	227g	20° ±5	12°	40°	200g





Limit Switch

KL Series

Product Selection

	Part Number	Contact	Head Type	OF	RF	PT	MD	OT	TF
	K-L-LAP1	1N/O+1N/C	Push Plunger	2,720g	910g	1.7mm	1.0mm	6.4mm	-
	K-L-LAP2	1N/O+1N/C	Roller Plunger	2,720g	910g	1.7mm	1.0mm	5.6mm	-
	K-L-LAL1	1N/O+1N/C	Roller Lever Plunger	700g	170g	4.5mm	1.0mm	6.4mm	-
	K-L-LAL2	1N/O+1N/C	Roller Lever	1,360g	227g	20° ±5	12°	40°	200g
	K-L-LAL4	1N/O+1N/C	Adjustable Rod Lever	142g	28g	20° ±5	12°	40°	200g
	K-L-LAL3	1N/O+1N/C	Adjustable Roller Lever	1,360g	227g	20° ±5	12°	40°	200g

Product Selection

	Part Number	Contact	Head Type	OF	RF	PT	MD	OT	TF
	K-L-MAP1	1N/O+1N/C	Push Plunger	2,720g	910g	1.7mm	1.0mm	6.4mm	-
	K-L-MAP2	1N/O+1N/C	Roller Plunger	2,720g	910g	1.7mm	1.0mm	5.6mm	-
	K-L-MAL1	1N/O+1N/C	Roller Lever Plunger	700g	170g	4.5mm	1.0mm	6.4mm	-
	K-L-MAL2	1N/O+1N/C	Roller Lever	1,360g	227g	20° ±5	12°	40°	200g
	K-L-MAL4	1N/O+1N/C	Adjustable Rod Lever	142g	28g	20° ±5	12°	40°	200g
	K-L-MAL3	1N/O+1N/C	Adjustable Roller Lever	700g	170g	4.5mm	1.0mm	6.4mm	200g

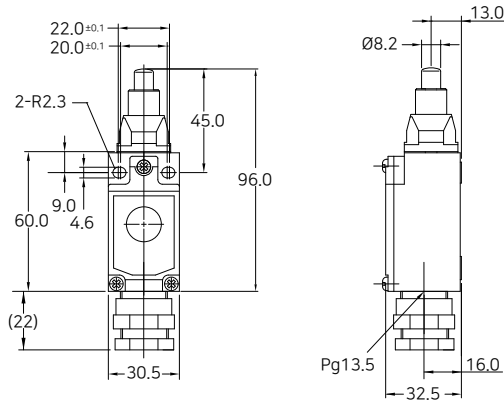
Limit Switch

KL Series

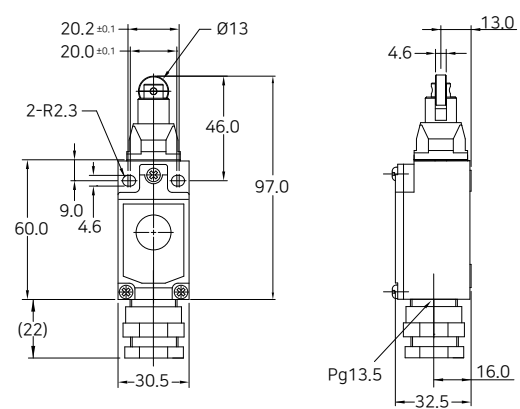
Dimension

unit : mm

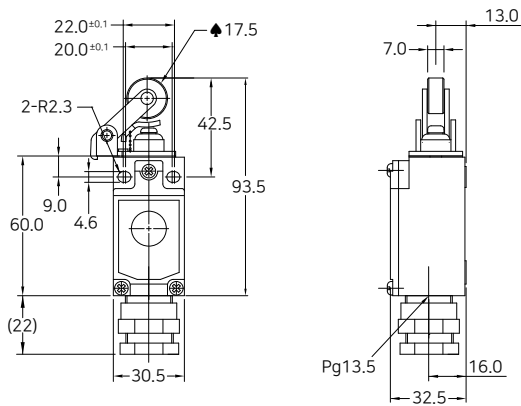
KLS-A-P1



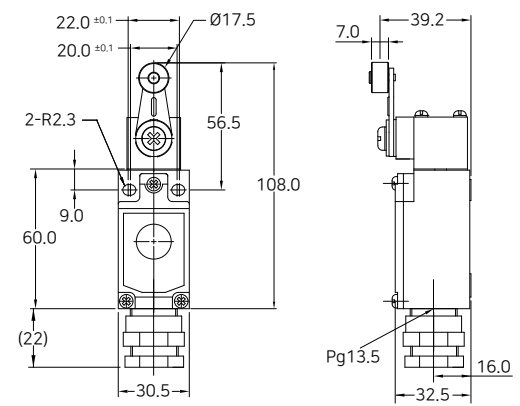
KLS-A-P2



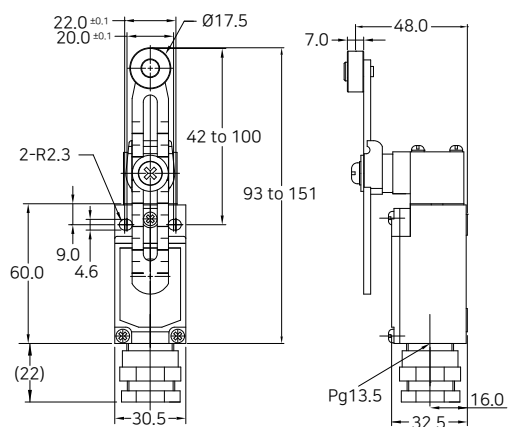
KLS-A-L1



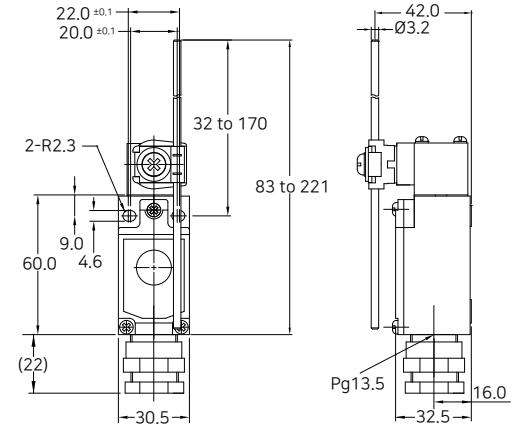
KLS-A-L2



KLS-A-L3



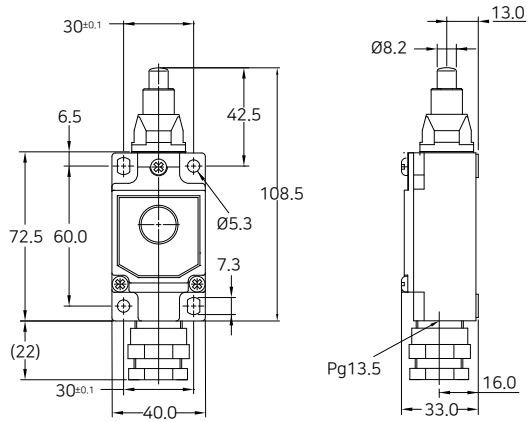
KLS-A-L4



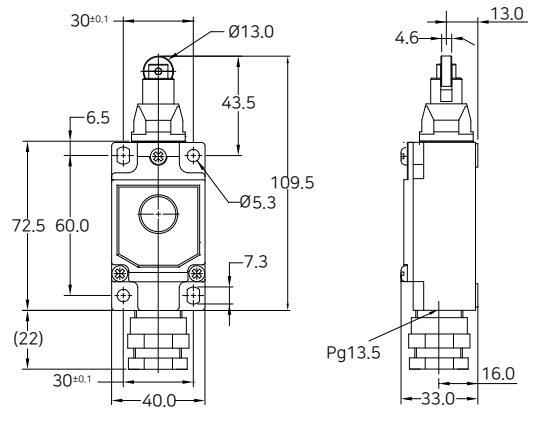
Dimension

unit : mm

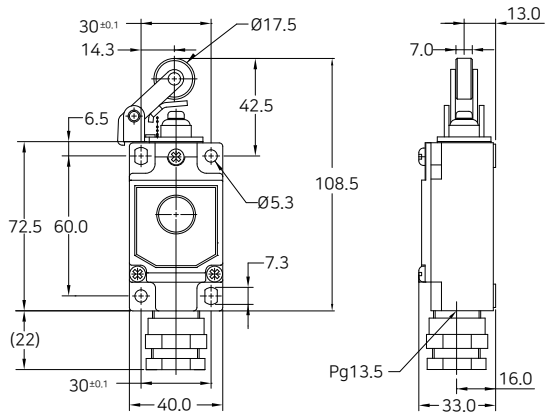
KLL-A-P1



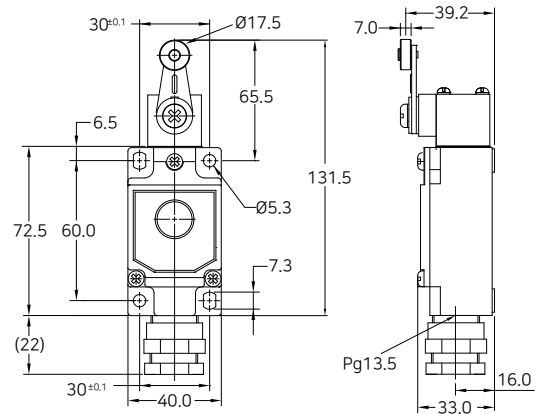
KLL-A-P2



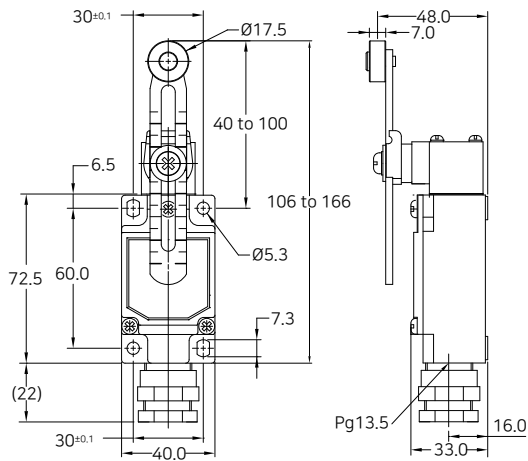
KLL-A-L1



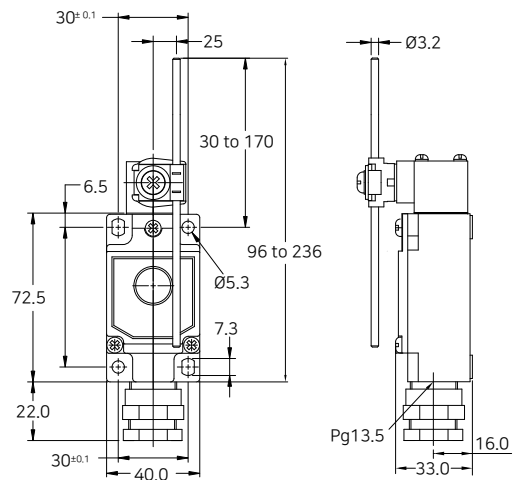
KLL-A-L2



KLL-A-L3



KLL-A-L4



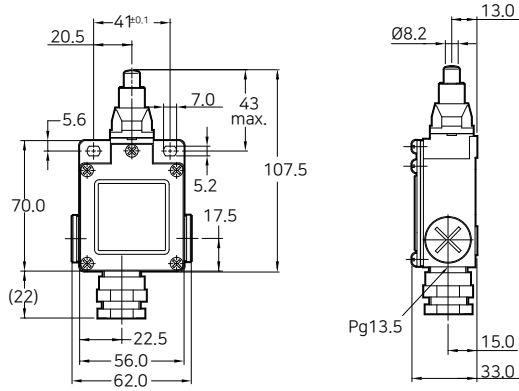
Limit Switch

KL Series

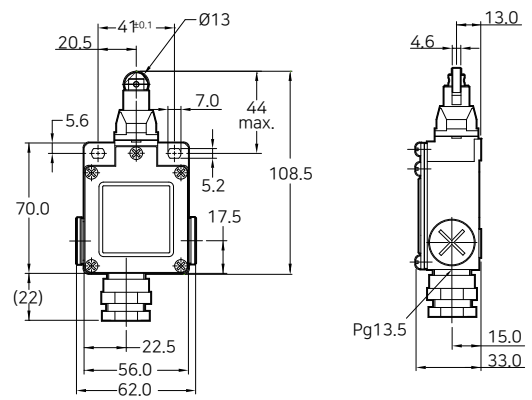
Dimension

unit : mm

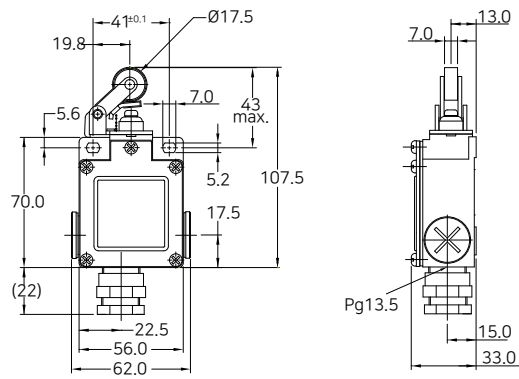
KLM-A-P1



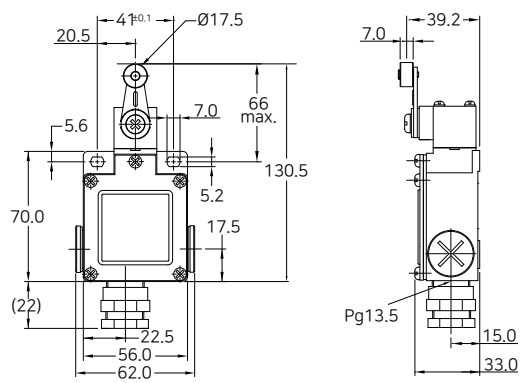
KLM-A-P2



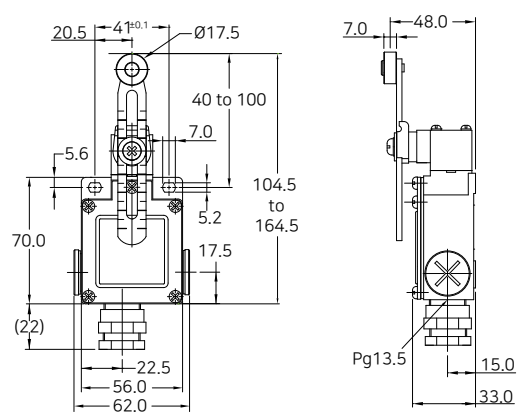
KLM-A-L1



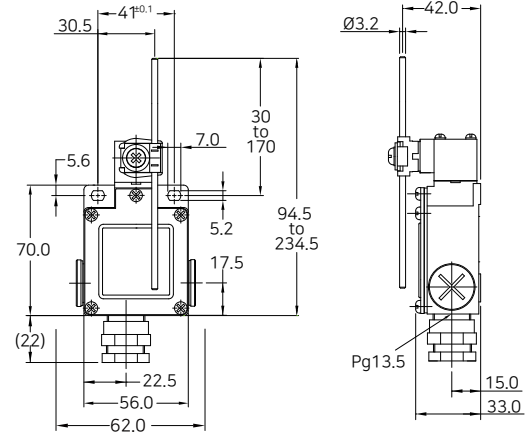
KLM-A-L2



KLL-A-L3

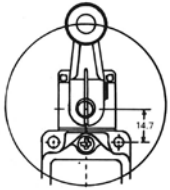


KLL-A-L4



User guide

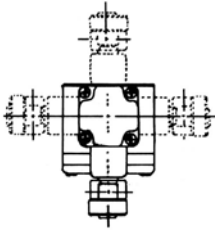
- Roller lever operating position adjustment



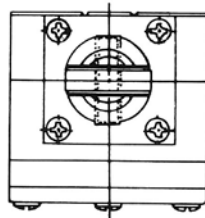
Loosen the bolt on the side of the roller lever, and adjust the angle.

- Selection of the head block direction

Roller Lever type

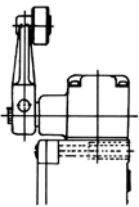


Plunger

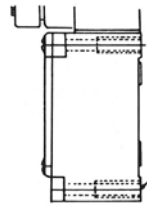


Loosen four bolts, and assemble the product in the desired direction. Pay attention to the plunger direction.

- Inside of the roller lever

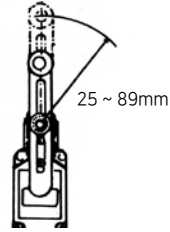


- Rear of the roller lever

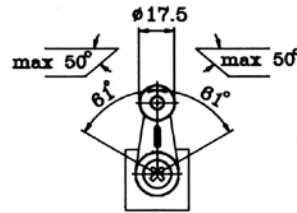


4-M6
P-10
Mounting
Screw
Hole
15mm

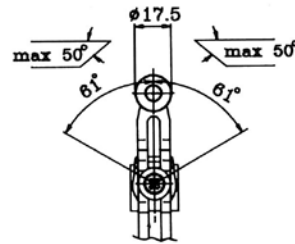
- Adjustment of the lever



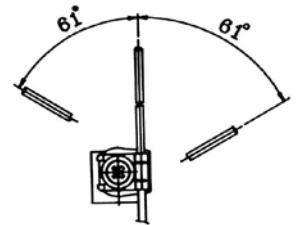
- Lever Type T.T.P



L2 Type



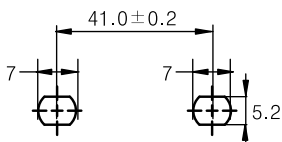
L3 Type



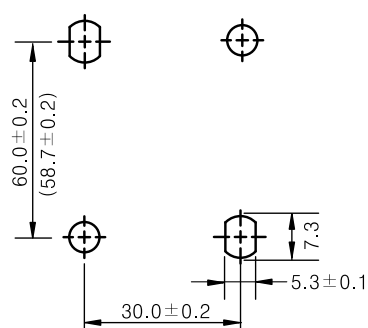
L4 Type

Attachment Processing Drawing

KLM Type



KLL Type



KLS Type

