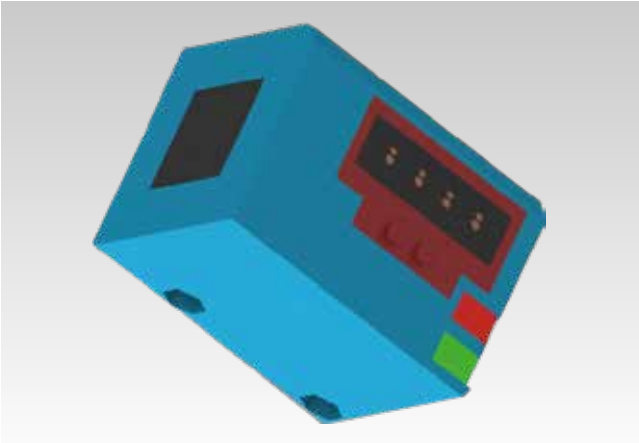


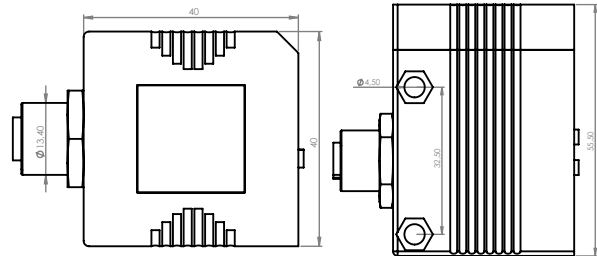
## FNC Laser Distance Sensor



### Features

- Reliable optical distance measurement with long range up to 10 meters
- Operation up to 200 klux ambient light immunity measurement
- High accuracy ( %1)
- Scalable measuring range and window function
- Two switching outputs, one of them is programmable
- Easy integration
- High repeatability

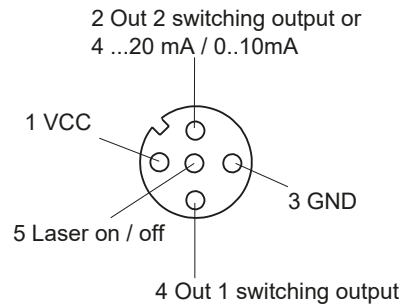
### Mechanical Dimensions



### Technical data - electrical ratings

Voltage Supply	18VDC to 30VDC
Consumption w/o load	≤200 mA VDC
Light emission	650 nm visible red
Ambient light immunity	200 klux
Measuring range	10 mm - 10 meter
Sample rates	1 ... 50 Hz
Measuring accuracy	%1
Digital output	1 or 2 PNP / NPN / Push pull
Analog current output	4 ... 20 mA
Analog voltage output	0 ... 10V
Display	Switching status : LED Yellow Power : LED Green Distance & prog. : 4-digit
Connector	1xM12

### Cable Wiring



### Technical data - mechanical design

Dimensions	59 x 42 x 52
Housing	rectangular
Protection DIN EN 60529	IP65
Materials	Housing : aluminium Lens : glass Window : Gorilla glass
Operating temperature	-10...+55 °C
Storage temperature	-25 °C up to +70 °C
Weight approx.	300 g

### Part Number

