

Limit Switch

KXL Series

Part Number Description

KXL - ① ②			
① Head Type	301 : Push Plunger		706 : Ø50 Adjustable Roller Lever - Aluminum
	302 : Roller Plunger		726 : Ø50 Adjustable Roller Lever - Rubber
	303 : Ball Plunger		717 : Yoke Roller Lever
	702 : Roller Lever		727 : Yoke Roller Lever
	703 : Adjustable Roller Lever		737 : Yoke Roller Lever
	713 : Adjustable Roller Short Lever		747 : Yoke Roller Lever
	704 : Adjustable Rod Lever		901 : Spring Rod
	705 : Ø50 Roller Lever -Aluminum		902 : Spring Wire
	725 : Ø50 Roller Lever - Rubber		
	② Indicator Lamp	No mark : Standard (No Indicator)	D : LED Lamp (12 ~ 24VDC / AC)

General Specification

Contact Form		1N/O + 1N/C
Contact Material		Ag alloy / 24K gold plated
Rated Current		12A 250VAC ·resistance load
Insulation Resistance		Min. 100M Ω 500VDC Insulation resistance
Contact Resistance		Max. 15m Ω
Internal Voltage	Between the terminals	1,000VAC ·50/60Hz 1 Minute
	Between each terminal and non-charging parts	2,200VAC ·50/60Hz 1 Minute
Life Cycle	Mechanical	Min. 10,000,000
	Electrical	Min. 1,000,000
On/Off Frequency	Mechanical	120 / Min.
	Electrical	30 / Min.
Operation Speed		1mm ~ 1m/sec
Vibration Resistance		10 ~ 55Hz Dual wave length 1.5mm
Shock Resistance	Malfunction	1,000m/s ² Max. approx. 100G
	Destruction	300m/s ² Max. approx. 30G
Degree Of Protection		IP67
Ambient Temperature		-10 ~ +80°C ·(with no icing)
Ambient Humidity		Max. 95%RH
Housing Material		Aluminum die-casting
Weight		Approx. 270g



Performance And Specification

Rated Voltage	Non-Inductive		Inductive	
	Resistance Load	Lamp Load	Motor Load	Inductive Load
125VAC	16A	5A	8A	16A
250VAC	12A	3A	5A	12A
500VAC	10A	2.5A	2.5A	10A
30VDC	8A	6A	6A	8A
125VDC	1A	0.3A	0.3A	1A
250VDC	0.5A	0.2A	0.2A	0.5A

Contact Block

KXL-101

24K gold plated Contact



Indication Lamp Name Plate

KXL-102

12 ~ 24VAC/DC LED Lamp

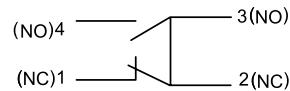
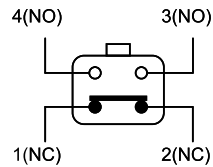


KXL-103

100 ~ 240VAC NEON Lamp








Internal Circuit Drawing









Limit Switch

KXL Series

Product Selection

	Indicator Lamp	Part Number	Head Type	OF	RF	PT	OT	MD	TT	OP	TTP
	Standard	KXL - 301	Push Plunger	2,720gf (26.67N)	910gf (8.92N)	1.7mm	6.4mm	1mm	-	34 ±0.8 mm	29.5 mm
	LED Lamp	KXL - 301D									
	Neon Lamp	KXL - 301A									
	Standard	KXL - 302	Roller Plunger	2,720gf (26.67N)	910gf (8.92N)	1.7mm	5.6mm	1mm	-	44 ±0.8 mm	39.5 mm
	LED Lamp	KXL - 302D									
	Neon Lamp	KXL - 302A									
	Standard	KXL - 303	Ball Plunger	2,720gf (26.67N)	910gf (8.92N)	1.7mm	4mm	1mm	-	44.5 ±0.8 mm	41 mm
	LED Lamp	KXL - 303D									
	Neon Lamp	KXL - 303A									
	Standard	KXL - 702	Roller Lever	1,360gf (13.34N)	227gf (2.23N)	15±5° mm	80°	12°	100°	-	-
	LED Lamp	KXL - 702D									
	Neon Lamp	KXL - 702A									
	Standard	KXL - 703	Adjustable Roller Lever	1,360gf (13.34N)	227gf (2.23N)	20±5°	65°	10°	95°	-	-
	LED Lamp	KXL - 703D									
	Neon Lamp	KXL - 703A									




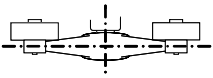



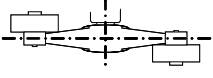


Product Selection

	Indicator Lamp	Part Number	Head Type	OF	RF	PT	OT	MD	TT	OP	TTP
	Standard	KXL - 713	Adjustable Roller Short Lever Lever - SUS	1,360gf (13.34N)	227gf (2.23N)	20±5 °	65 °	10 °	95 °	-	-
	LED Lamp	KXL - 713D									
	Neon Lamp	KXL - 713A									
	Standard	KXL - 704	Adjustable Rod Lever Lever - SUS	142gf (13.34N)	28gf (0.27N)	20±5 °	65 °	10 °	95 °	-	-
	LED Lamp	KXL - 704D									
	Neon Lamp	KXL - 704A									
	Standard	KXL - 705	Ø50 Roller Roller - Aluminum	1,360gf (13.3N)	227gf (2.2N)	20±5 °	65 °	10 °	95 °	-	-
	LED Lamp	KXL - 705D									
	Neon Lamp	KXL - 705A									
	Standard	KXL - 725	Ø50 Roller Roller - Rubber	1,360gf (13.3N)	227gf (2.2N)	20±5 °	65 °	10 °	95 °	-	-
	LED Lamp	KXL - 725D									
	Neon Lamp	KXL - 725A									
	Standard	KXL - 706	Ø50 Adjustable Roller Roller - Aluminum Lever - SUS	1,360gf (13.3N)	227gf (2.2N)	20±5 °	65 °	10 °	95 °	-	-
	LED Lamp	KXL - 706D									
	Neon Lamp	KXL - 706A									
	Standard	KXL - 726	Ø50 Adjustable Roller Roller - Rubber Lever - SUS	1,360gf (13.3N)	227gf (2.2N)	20±5 °	65 °	10 °	95 °	-	-
	LED Lamp	KXL - 726D									
	Neon Lamp	KXL - 726A									

Limit Switch

KXL Series

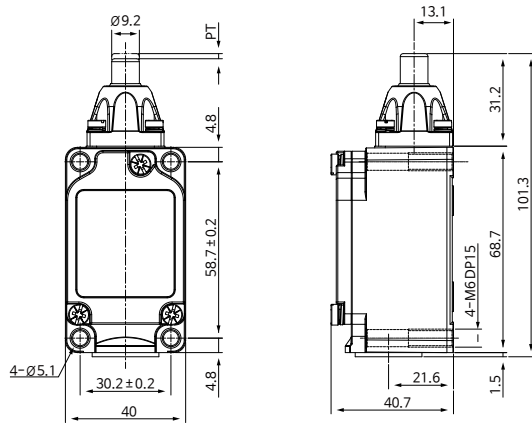
Product Selection

	Indicator Lamp	Part Number	Head Type	OF	RF	PT	OT	Head Type
	Standard	KXL - 717	York Roller Lever	1,200gf (11.8N)	-	50±5 °	35°	
	LED Lamp	KXL - 717D						
	Neon Lamp	KXL - 717A						
	Standard	KXL - 727	York Roller Lever	1,200gf (11.8N)	-	50±5 °	35°	
	LED Lamp	KXL - 727D						
	Neon Lamp	KXL - 727A						
	Standard	KXL - 737	York Roller Lever	1,200gf (11.8N)	-	50±5 °	35°	
	LED Lamp	KXL - 737D						
	Neon Lamp	KXL - 737A						
	Standard	KXL - 747	York Roller Lever	1,200gf (11.8N)	-	50±5 °	35°	
	LED Lamp	KXL - 747D						
	Neon Lamp	KXL - 747A						
	Standard	KXL - 901	Spring Rod Lever - SUS	150gf (1.47N)	-	20±10	-	-
	LED Lamp	KXL - 901D						
	Neon Lamp	KXL - 901A						
	Standard	KXL - 902	Spring Wire Lever - SUS	150gf (1.47N)	-	20±10	-	-
	LED Lamp	KXL - 902D						
	Neon Lamp	KXL - 902A						

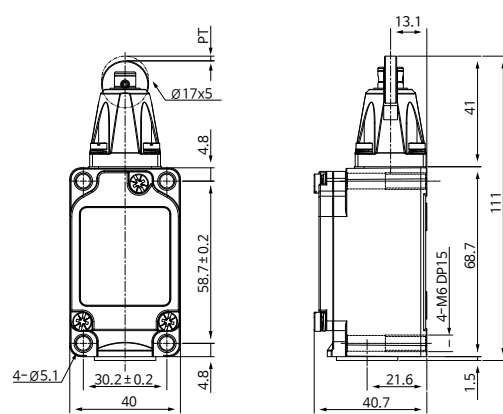
Dimension

unit : mm

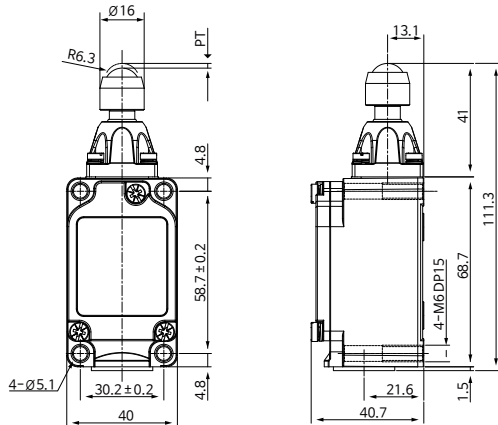
Push Plunger
KXL - 301



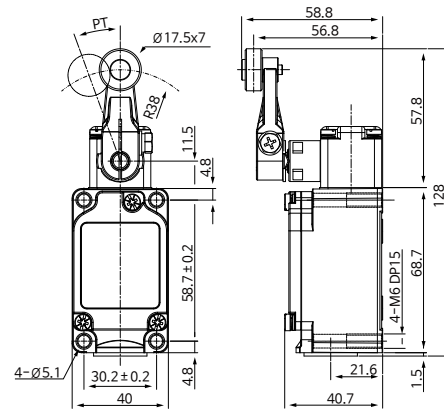
Roller Plunger
KXL - 302



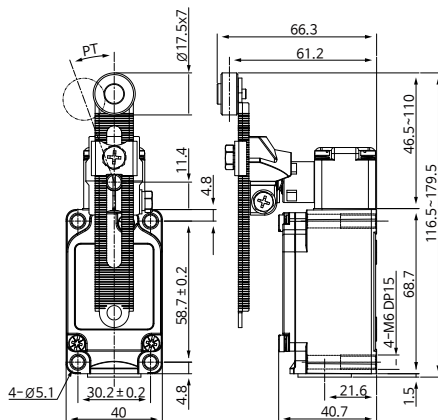
Ball Plunger
KXL - 303



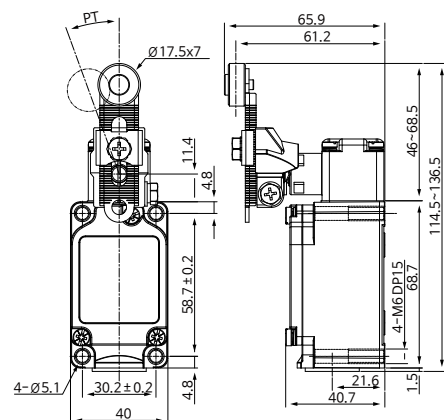
Roller Lever
KXL - 702



Adjustable Roller Lever
KXL - 703



Adjustable Roller Lever
KXL - 713



Limit Switch

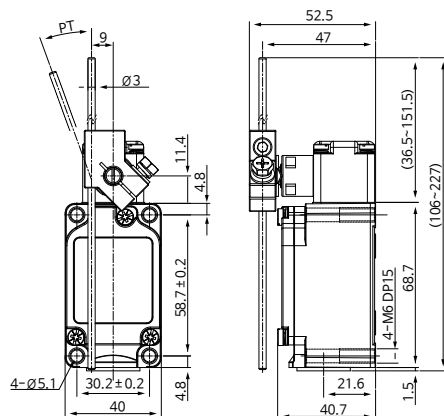
KXL Series

Dimension

unit : mm

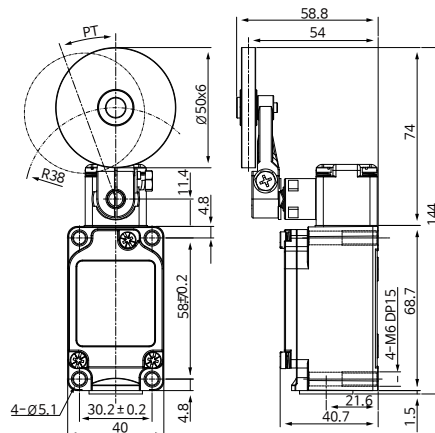
Adjustable Rod Lever

KXL - 704



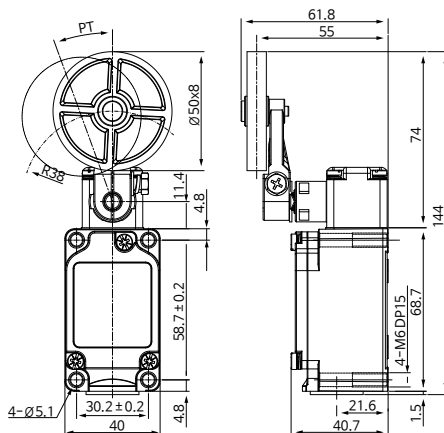
Ø50 Roller Lever - Aluminum

KXL - 705



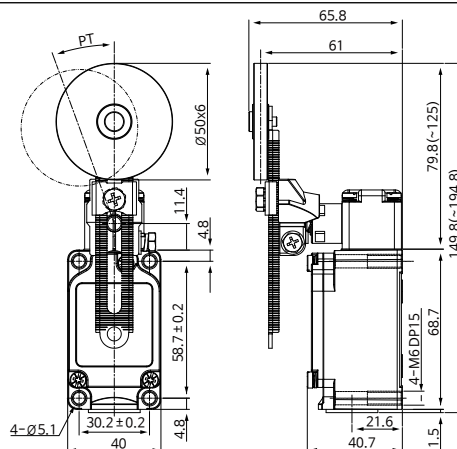
Ø50 Roller Lever - Rubber

KXL - 725



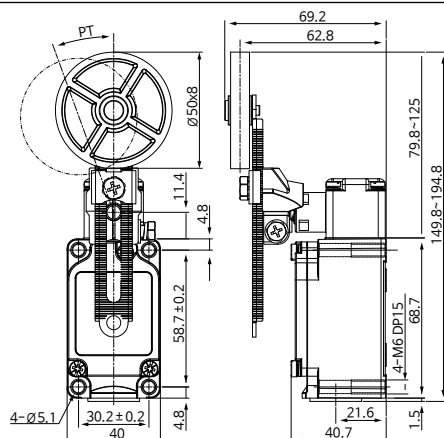
Ø50 Adjustable Roller Lever - Rubber

KXL - 706



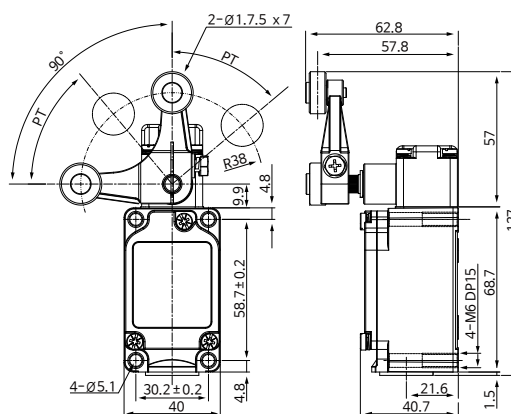
Ø50 Adjustable Roller Lever - Rubber

KXL - 726



York Roller Lever

KXL - 717, 727, 737, 747



Dimension

unit : mm

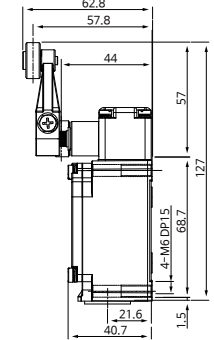
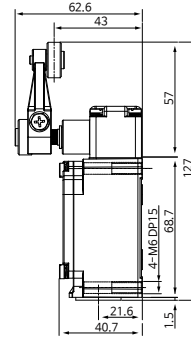
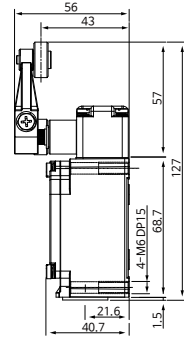
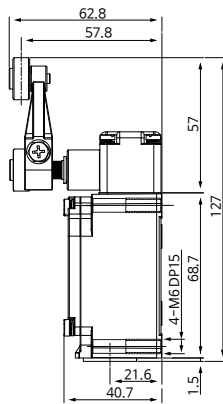
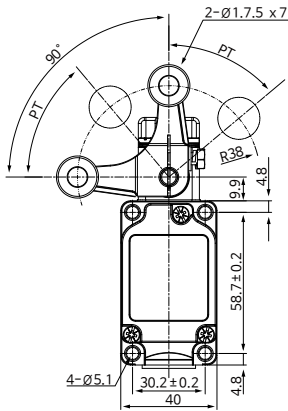
York Roller Lever

KXL - 717

KXL - 727

KXL - 737

KXL - 747

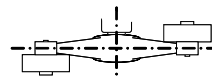


The York Roller Lever

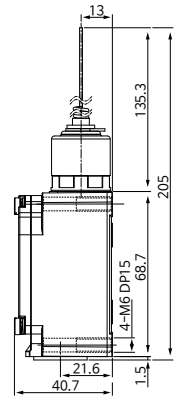
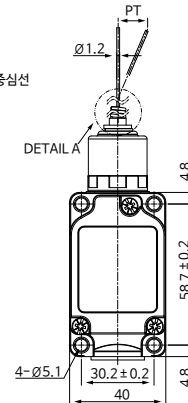
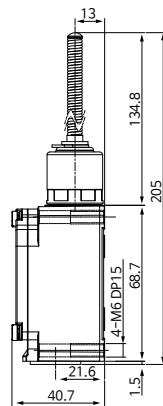
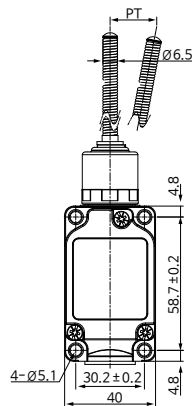
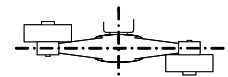


Spring Wire

KXL - 901



KXL - 902

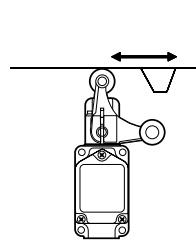
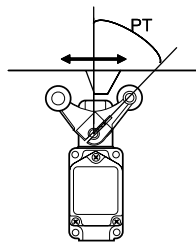
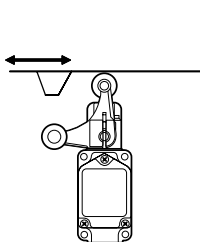


The Operation Of The Built - In Switch In A Accordance With The Movement Of The York

NC current application

NO current application

NO current application

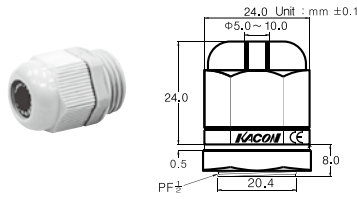


Limit Switch

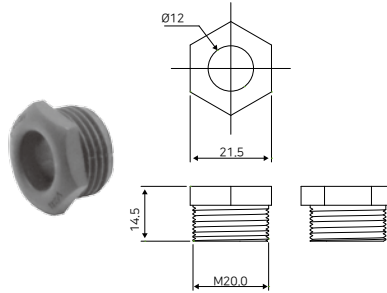
KXL Series

Basic Accessories

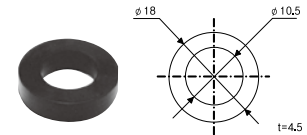
PG 13.5A



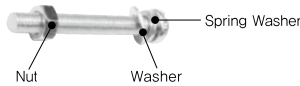
PG(Black)



Rubber Packing

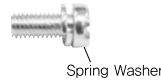


Front mounting bolt



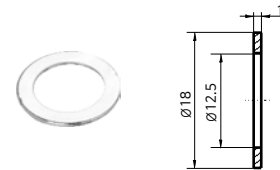
[M5X40mm X 4ea]

Rear mounting bolt



[M6X14mm X 4ea]

Washer

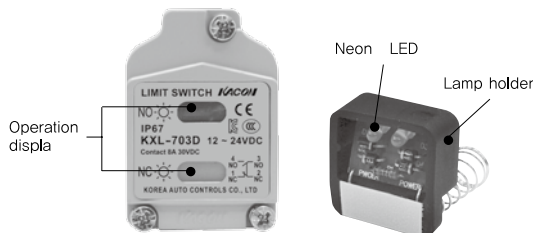


Rubber Packing

Indicator Lamp	Item	Rated Voltage	Rated Current	Order code
Neon lamp		100 ~ 240VAC	0.6 ~ 2mA	AC Load : KXL - □ A
LED lamp		12 ~ 24VAC/DC	Approx. 1mA	DC Load : KXL - □ D

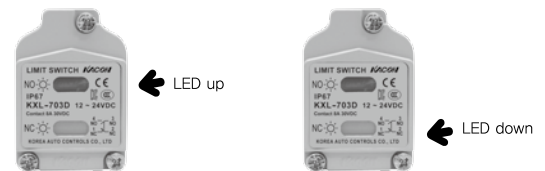
- There are two types of lamps: Neon and LED lamps.
- The circuit check and fault detection are easy because the switch operation status is easily checked outside.
- The user can change the mode of operation status indication by changing the lamp holder mounting direction by 180° (up or down) inside the indicator lamp cover.
- Additional wiring is not required for the lamp terminals because the spring attached to the indicator lamp cover comes in contact with the terminal screw of the built-in switch.

Operation Indicator Lamp Direction Shift



ON in operation

ON in non-operation

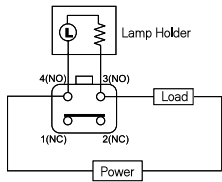


- The LED type does not require the change of polarity because it has a built-in rectifier.
- The indicator lamp cover is formed by coating transparent resin on the Al die casting material, and can be used in the place with cutting oil. In addition, the operation status (ON in operation or non-operation) can be checked outside.
- This is ideal for the places where checking the passage of products is difficult on the conveyor line.

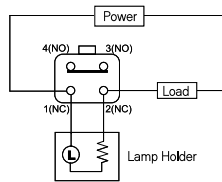
- The factory setting is "ON in operation".
- For the use with ON in non-operation, shift the LED downward as in the figure.

Indication Lamp Wiring And Circuit Diagram

Internal Wiring Diagram

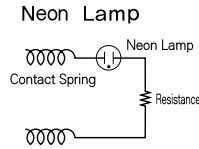


Lights on when in non-operation
[Lamp ON when NC ON]



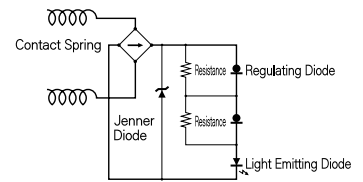
Lights on when in operation
[Lamp ON when NO ON]

Internal Circuit Drawing

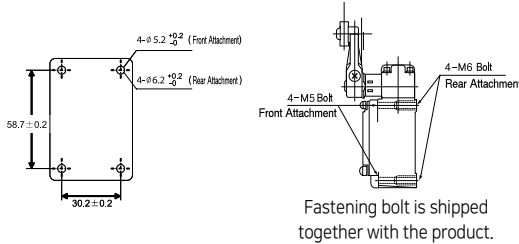


Neon Lamp

LED Lamp

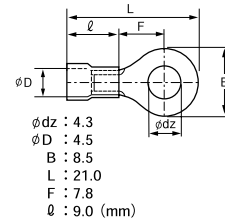


Mounting

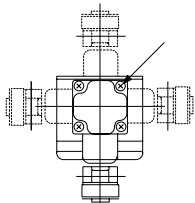


Fastening bolt is shipped together with the product.

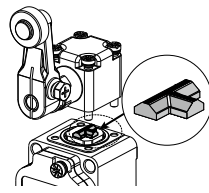
Pressurized Terminal In Use



How To Change The Attached Direction Of The Head Part

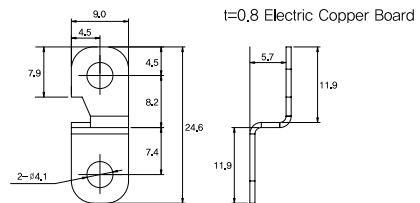


The head position can be changed in four directions by loosening four bolts.



The arrowed internal parts must rotate in the same direction as the head part rotation.

Short Bar, Available On Separate Orders



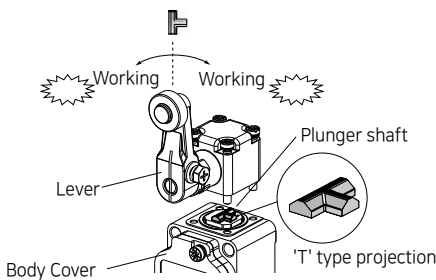
If the shorting terminal is used as in the figure, the switch can be the single pole double throw type.

Selection of contact behavior by adjusting the direction of engagement of the internal plunger shaft

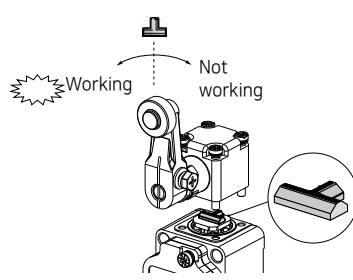
※ Applicable models: KXL-702, KXL-703, KXL-713, KXL-704, KXL-705, KXL-725, KXL-706, KXL-726

Pull out the plunger shaft according to the direction of the desired contact lever rotation, change the direction of the 'T' projection on the upper part of the plunger, and combine it.

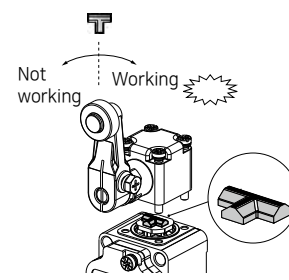
Note) This example is for when the lever is on the same side as the main cover. When the lever is on the other side, align the plunger engagement direction with the lever.



All function behavior
(Factory default setting)



Contact operation only when the lever is turned to the left



Contact operation only when the lever is rotated to the right

Limit Switch

ELN Series



Part Number Description

ELN - **1**

1 Head Type 03 : Push Plunger 030 : Roller Plunger 031 : Cross Roller Plunger 09 : Roller Lever Plunger

General Specification

Contact Form	1C					
Contact Material	Ag alloy					
Contact & Contact Distance	0.5mm					
Insulation Resistance	100MΩ min.(at 500VDC)					
Contact Resistance	Max. 50mΩ					
Maximum Inrush Current	Normal Open 15A		Normal Close 30A			
Contact Ratings	Voltage	Non-Inductive			Inductive	
		Resistance Load	Lamp Load		Inductive Load	Motor Load
	Normal Open (N/O)		Normal Close (N/C)			
	125VAC	15A	1.5A	3A	15A	5A
	250VAC	15A	1.25A	2.5A	15A	3A
	500VAC	2A	0.5A	0.8A	2A	0.8A
	8VDC	15A	1.5A	3A	15A	10A
	14VDC	15A	1.5A	3A	10A	5A
	30VDC	6A	1.5A	3A	5A	3A
125VDC	0.4A	0.4A	0.4A	0.05A	0.05A	
250VDC	0.2A	0.2A	0.2A	0.03A	0.03A	

The aforementioned values are steady-state current values.
 The inductive load has a power factor of 0.4 or more (AC), and a time constant of 7m/s or less (DC).
 The inrush current is ten times larger than steady-state current in the lamp load, and six times, in the motor load.





Dielectric Strength	2,000VAC 1 Minute	
Life Cycle	Electrical	Min. 100,000
	Mechanical	Min. 1,000,000
Vibration Resistance	10Hz ~ 55Hz Durable amplitude 1.5mm	
Shock Resistance	Malfunctional	Max. 20G
	Destruction	Max. 200G
Ambient Temperature	Center Attachment type : IP65, Diagonal Attachment type : IP68	
Ambient Humidity	-25°C ~ +80°C (with no icing)	
Ambient Humidity	35% ~ 85% RH	

☞ Specifications and materials can be changed without prior notice for the enhancement of the quality.

Limit Switch

ELN Series

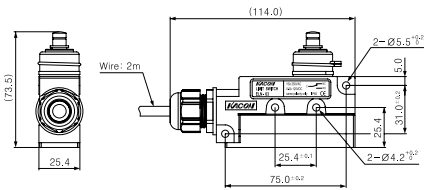
Product Selection

	Part Number	Head Type	Contact Form	Contact & Contact Distance		Part Number	Head Type	Contact Form	Contact & Contact Distance
	ELN-03	Push Plunger	1N/O +1N/C	0.5mm		ELN-031	Cross Roller Plunger	1N/O +1N/C	0.5mm
	ELN-030	Roller Plunger	1N/O +1N/C	0.5mm		ELN-09	Roller Lever Plunger	1N/O +1N/C	0.5mm

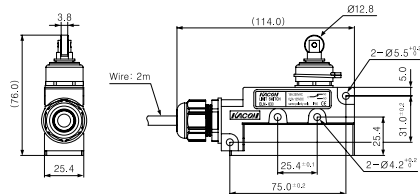
Dimension

unit : mm

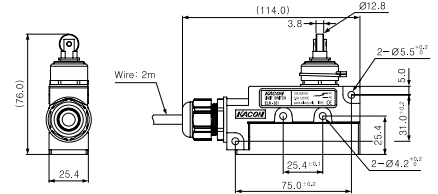
Push Plunger
ELN-03



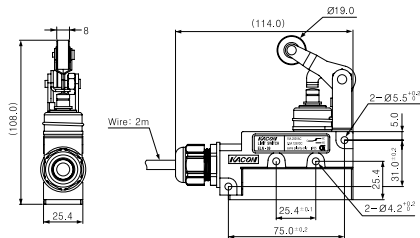
Roller Plunger
ELN-030



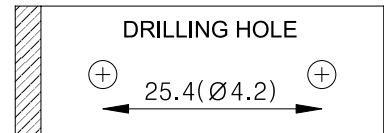
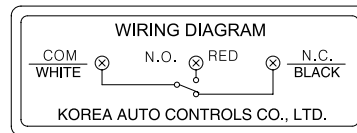
Cross Roller Plunger
ELN-031



Roller Lever Plunger
ELN-09



Wiring Diagram and Attachment Processing Drawing



Limit Switch

E1Z4 Series



Part Number Description

E1Z4

1 K1

1 Head Type P1 : Push Plunger P2 : Roller Plunger L1 : Roller Lever Plunger

Contact Part

Contact Form	1C					
Contact Material	Ag alloy					
Contact & Contact Distance	0.5mm					
Insulation Resistance	100M Ω min.(at 500VDC)					
Contact Resistance	Max. 50m Ω					
Maximum Inrush Current	Normal Open 15A Normal Close 30A					
Contact Ratings	Voltage	Non-Inductive		Inductive		
		Resistance Load	Lamp Load		Inductive Load	Motor Load
			Normal Open (N/O)	Normal Close (N/C)		
	125VAC	15A	1.5A	3A	15A	5A
	250VAC	15A	1.25A	2.5A	15A	3A
	500VAC	2A	0.5A	0.8A	2A	0.8A
	8VDC	15A	1.5A	3A	15A	10A
	14VDC	15A	1.5A	3A	10A	5A
	30VDC	6A	1.5A	3A	5A	3A
125VDC	0.4A	0.4A	0.4A	0.05A	0.05A	
250VDC	0.2A	0.2A	0.2A	0.03A	0.03A	

- The above figure means the normal current.
- The Inductive load has the power factor of 0.4 or above (AC) and a correction factor of 7m/s or lower (DC).
- The lamp load generates approx. 10 times more inrush current, while the motor load generates 6 times more.

General Specification

Dielectric Strength	2,000VAC 1 minute	
Life Cycle	Electrical	Min. 100,000
	Mechanical	Min. 1,000,000
Vibration Resistance	10Hz ~ 55Hz Dual wave length 1.5mm	
Shock Resistance	Malfunction	Max. 20G
	Destructive	Max. 100G
Degree Of Protection	IP67	
Ambient Temperature	-25°C ~ +80°C (with no icing)	
Ambient Humidity	35% ~ 85% RH	
Tightening Torque	1.2N·m (12.24kgf·cm)	

☞ The above specification and the material can be changed without notice for the improvement of the quality.

Rev. 2/14

Data subject may change without notice.

www.kacon.co.kr

Industrial Controls Catalog




III - 43

KACOM

Operation Characteristics

characteristics	model	E1Z4P1K1	E1Z4P2K1	E1Z4L1K1
OF		1000g	350g	680g
RF		220g	114g	170g
PT		2.0mm	0.5mm	4.5mm
MD		0.1mm	0.1mm	0.4mm
OT		5.0mm	3.6mm	5.5mm
TTP		7.0mm	4.1mm	10mm

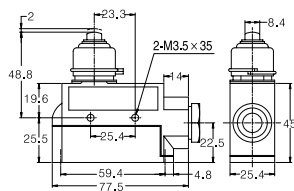
Product Selection

	Part Number	Head Type	Contact Form	Contact & Contact Distance	OF	RF	PT	MD	OT	TTP
	E1Z4P1K1	Push Plunger	1C	0.5 mm	1,000g Maximum	220g Maximum	2.0mm Maximum	0.1mm Maximum	5.0mm Minimum	7.0mm Minimum
	E1Z4P2K1	Roller Plunger	1C	0.5 mm	350g Maximum	114g Maximum	0.5mm Maximum	0.1mm Maximum	3.6mm Minimum	4.1mm Minimum
	E1Z4L1K1	Roller Lever Plunger	1C	0.5 mm	680g Maximum	170g Maximum	4.5mm Maximum	0.4mm Maximum	5.5mm Minimum	10mm Minimum

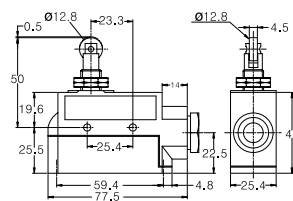
Dimension

(mm)

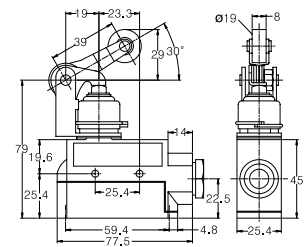
Plunger
E1Z4P1K1



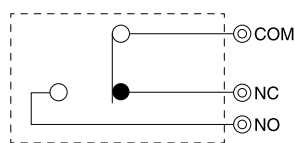
Roller Plunger
E1Z4P2K1



Roller Lever Plunger
E1Z4L1K1



Diagram



☞ The above specification and the material can be changed without notice for the improvement of the quality.

Limit Switch

KL Series



Part Number Description

KL

1 Head Type	S-A-P1 : Push Plunger	S-A-P2 : Roller Plunger	S-A-L1 : Roller Lever Plunger	S-A-L2 : Roller Lever
	S-A-L4 : Adjustable Roller Lever	S-A-L3 : Adjustable Rod Lever		
	L-A-P1 : Push Plunger	L-A-P2 : Roller Plunger	L-A-L1 : Roller Lever Plunger	L-A-L2 : Roller Lever
	L-A-L4 : Adjustable Roller Lever	L-A-L3 : Adjustable Rod Lever		
	M-A-P1 : Push Plunger	M-A-P2 : Roller Plunger	M-A-L1 : Roller Lever Plunger	M-A-L2 : Roller Lever
	M-A-L4 : Adjustable Roller Lever	M-A-L3 : Adjustable Rod Lever		

General Specification

Contact Form	1N/O + 1N/C
Contact Material	Ag alloy
Insulation Resistance	100MΩ 500VDC
Contact Resistance	Max. 50mΩ
Max. Allowable Inrush current	0.2A 125VDC

Contact Ratings	Voltage	Non-Inductive				Inductive			
		Resistance Load		Lamp Load		Inductive Load		Motor Load	
		Normal Open (N/O)	Normal Close (N/C)	Normal Open (N/O)	Normal Close (N/C)	Normal Open (N/O)	Normal Close (N/C)	Normal Open (N/O)	Normal Close (N/C)
	125VAC	10A	10A	1.5A	3A	2.5A	5A	6A	6A
	250VAC	10A	10A	1A	2A	1.5A	3A	4A	4A
	600VAC	1A	3A	0.5A	1A	0.5A	1A	1.5A	1.5A
	8VDC	10A	10A	3A	6A	6A	6A	10A	10A
	30VDC	6A	6A	3A	4A	4A	4A	6A	6A
	125VDC	0.8A	0.8A	0.2A	0.2A	0.2A	0.2A	0.8A	0.8A

·The above figure means the normal current.
 ·The Inductive load has the power factor of 0.4 or above (AC) and a correction factor of 7m/s or lower (DC).
 ·The lamp load generates approx. 10 times more inrush current, while the motor load generates 6 times more.

Operation Speed	0.01mm/sec ~ 0.5m/sec	Shock Resistance	Destruction	Plunger Max. 30G	
On/Off Frequency	Electrical	Max. 30 Min.		Lever Max. 20G	
	Mechanical	Max. 120 Min.	Malfunction	Max. 100G	
Dielectric Strength	Between the terminals of the same polarity	1,000VAC 1Min.	Life Cycle	Mechanical	Min 500,000
	Between the charging metal pieces and the earth	2,000VAC 1Min.		Electrical	Min 1,000,000
	Between each terminal and non-charging metal parts	2,000VAC 1Min.	Ambient Temperature	-25°C ~ +80°C (with no icing)	
Vibration Resistance	10Hz ~ 55Hz Dual wave length 1.5mm		Ambient Humidity	35% ~ 85% RH	
Tightening Torque	0.8N·m (8.16kgf·cm)				

☞ The above specification and the material can be changed without notice for the improvement of the quality.

Rev. 2/14

Data subject may change without notice.







www.kacon.co.kr

Industrial Controls Catalog

III - 45

KACOM






Product Selection

	Part Number	Contact	Head Type	OF	RF	PT	MD	OT	TF
	K-L-SAP1	1N/O+1N/C	Push Plunger	2,720g	910g	1.7mm	1.0mm	6.4mm	-
	K-L-SAP2	1N/O+1N/C	Roller Plunger	2,720g	910g	1.7mm	1.0mm	5.6mm	-
	K-L-SAL1	1N/O+1N/C	Roller Lever Plunger	700g	170g	4.5mm	1.0mm	6.4mm	-
	K-L-SAL2	1N/O+1N/C	Roller Lever	1,360g	227g	20° ±5	12°	40°	200g
	K-L-SAL4	1N/O+1N/C	Adjustable Rod Lever	142g	28g	20° ±5	12°	40°	200g
	K-L-SAL3	1N/O+1N/C	Adjustable Roller Lever	1,360g	227g	20° ±5	12°	40°	200g





Limit Switch

KL Series

Product Selection

	Part Number	Contact	Head Type	OF	RF	PT	MD	OT	TF
	K-L-LAP1	1N/O+1N/C	Push Plunger	2,720g	910g	1.7mm	1.0mm	6.4mm	-
	K-L-LAP2	1N/O+1N/C	Roller Plunger	2,720g	910g	1.7mm	1.0mm	5.6mm	-
	K-L-LAL1	1N/O+1N/C	Roller Lever Plunger	700g	170g	4.5mm	1.0mm	6.4mm	-
	K-L-LAL2	1N/O+1N/C	Roller Lever	1,360g	227g	20° ±5	12°	40°	200g
	K-L-LAL4	1N/O+1N/C	Adjustable Rod Lever	142g	28g	20° ±5	12°	40°	200g
	K-L-LAL3	1N/O+1N/C	Adjustable Roller Lever	1,360g	227g	20° ±5	12°	40°	200g

Product Selection

	Part Number	Contact	Head Type	OF	RF	PT	MD	OT	TF
	K-L-MAP1	1N/O+1N/C	Push Plunger	2,720g	910g	1.7mm	1.0mm	6.4mm	-
	K-L-MAP2	1N/O+1N/C	Roller Plunger	2,720g	910g	1.7mm	1.0mm	5.6mm	-
	K-L-MAL1	1N/O+1N/C	Roller Lever Plunger	700g	170g	4.5mm	1.0mm	6.4mm	-
	K-L-MAL2	1N/O+1N/C	Roller Lever	1,360g	227g	20° ±5	12°	40°	200g
	K-L-MAL4	1N/O+1N/C	Adjustable Rod Lever	142g	28g	20° ±5	12°	40°	200g
	K-L-MAL3	1N/O+1N/C	Adjustable Roller Lever	700g	170g	4.5mm	1.0mm	6.4mm	200g

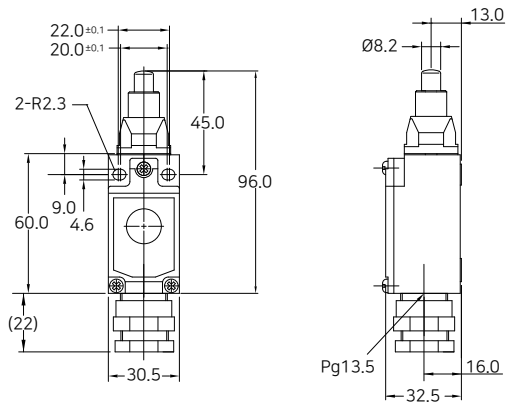
Limit Switch

KL Series

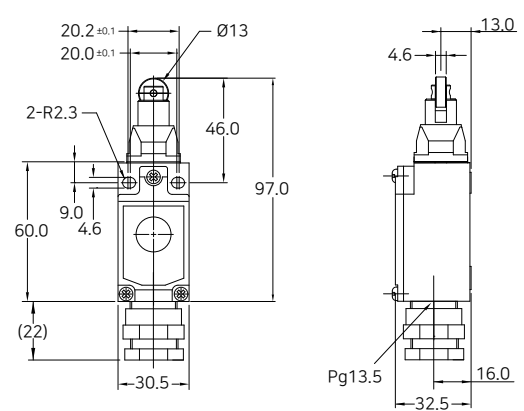
Dimension

unit : mm

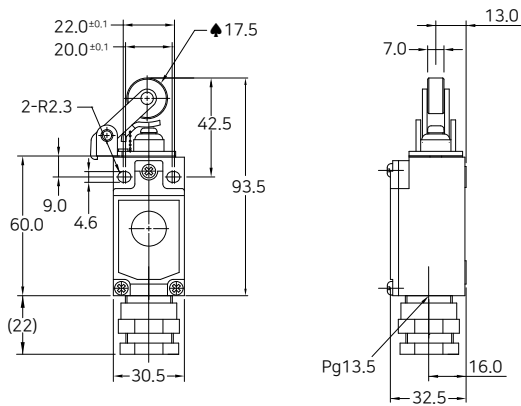
KLS-A-P1



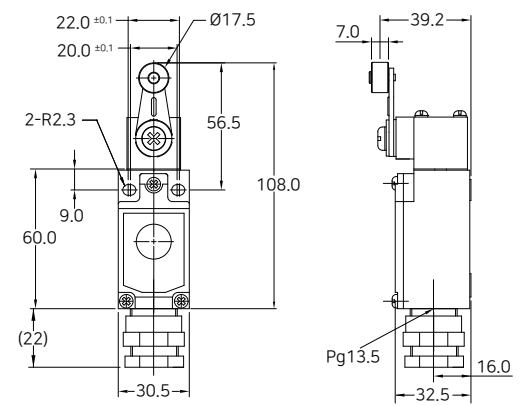
KLS-A-P2



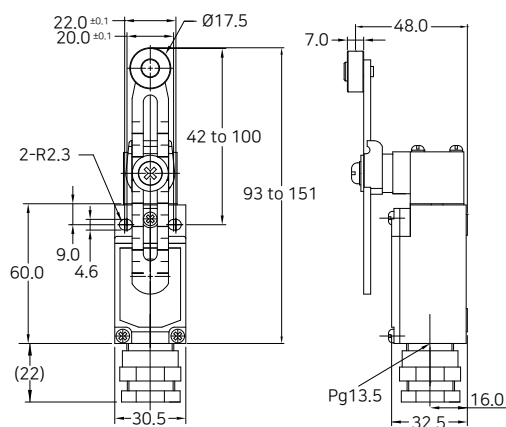
KLS-A-L1



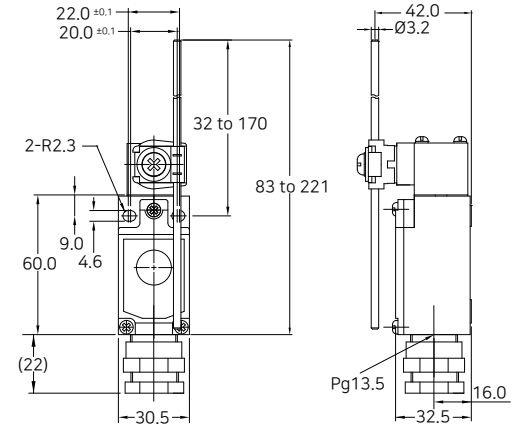
KLS-A-L2



KLS-A-L3



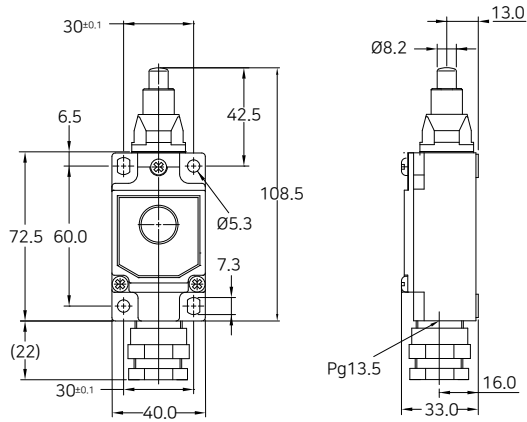
KLS-A-L4



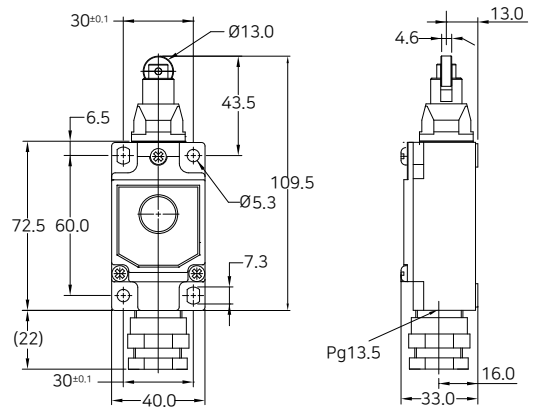
Dimension

unit : mm

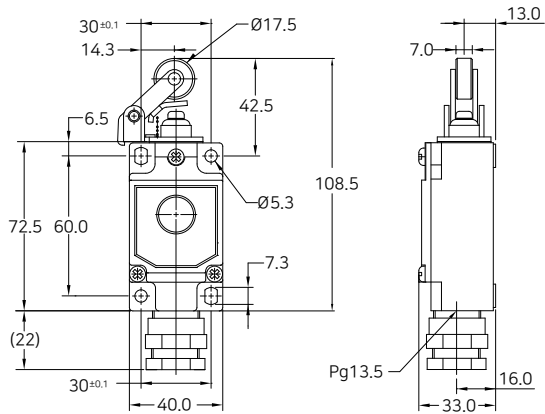
KLL-A-P1



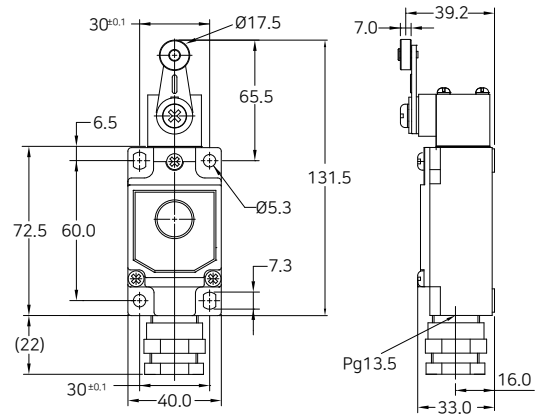
KLL-A-P2



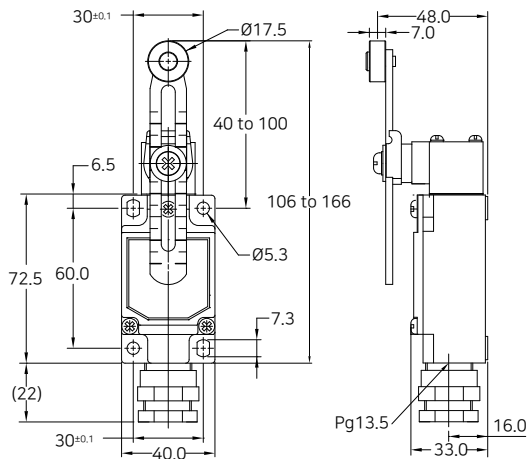
KLL-A-L1



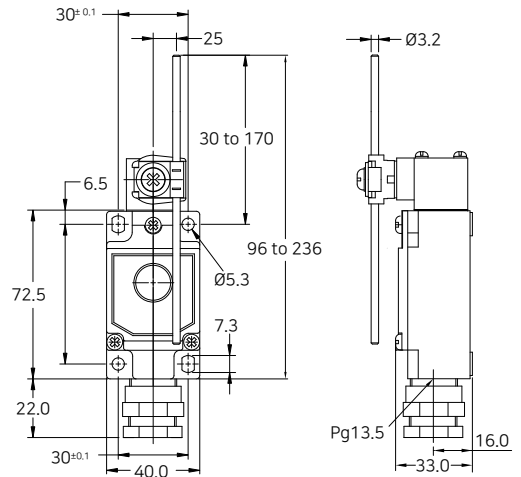
KLL-A-L2



KLL-A-L3



KLL-A-L4



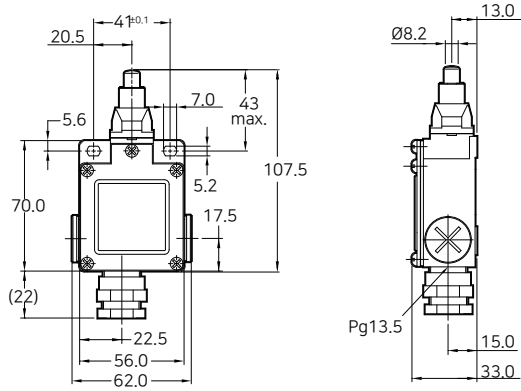
Limit Switch

KL Series

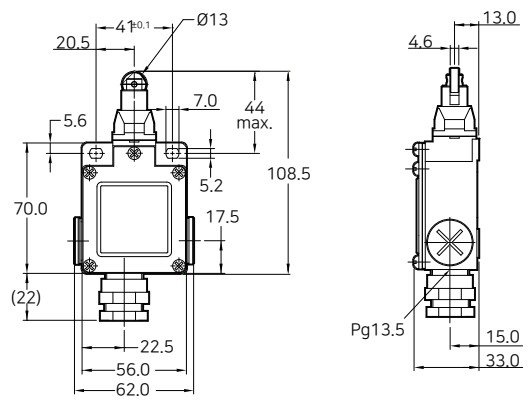
Dimension

unit : mm

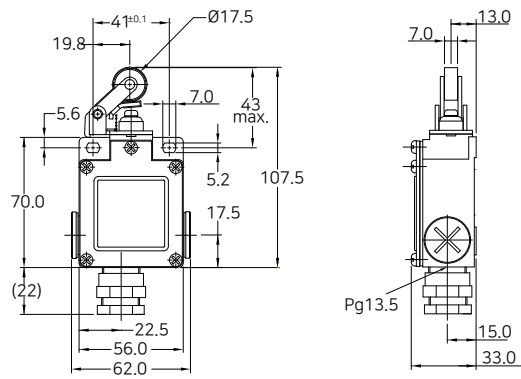
KLM-A-P1



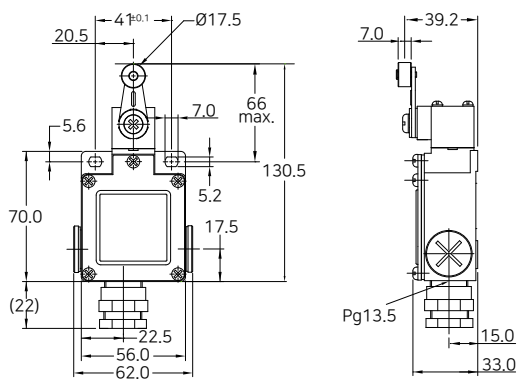
KLM-A-P2



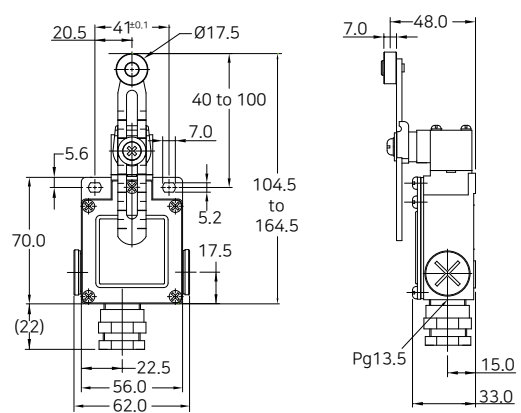
KLM-A-L1



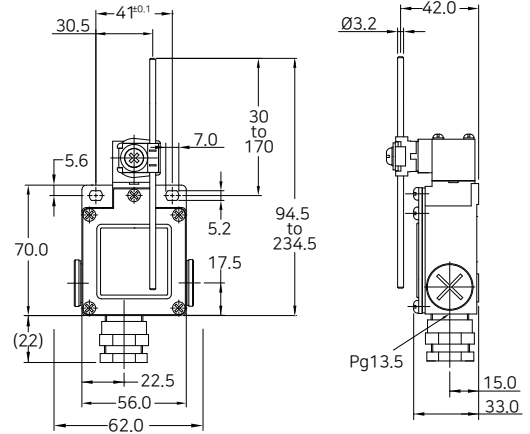
KLM-A-L2



KLL-A-L3

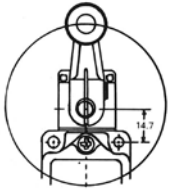


KLL-A-L4



User guide

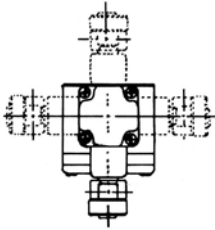
- Roller lever operating position adjustment



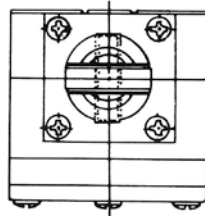
Loosen the bolt on the side of the roller lever, and adjust the angle.

- Selection of the head block direction

Roller Lever type

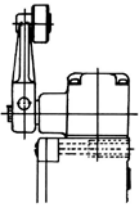


Plunger

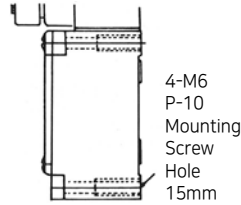


Loosen four bolts, and assemble the product in the desired direction. Pay attention to the plunger direction.

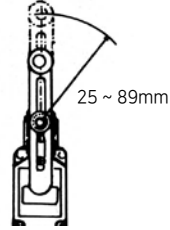
- Inside of the roller lever



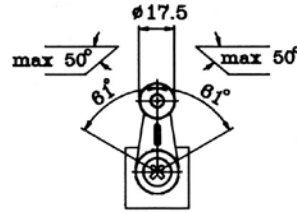
- Rear of the roller lever



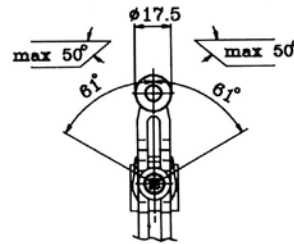
- Adjustment of the lever



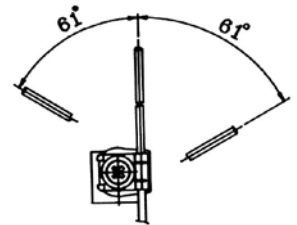
- Lever Type T.T.P



L2 Type



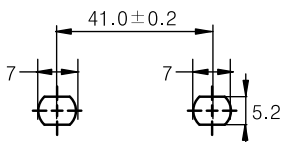
L3 Type



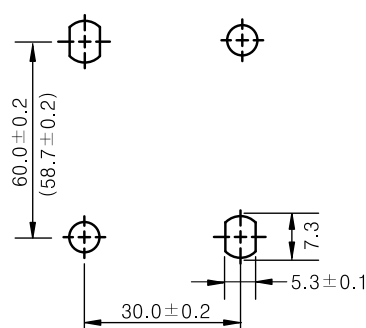
L4 Type

Attachment Processing Drawing

KLM Type



KLL Type



KLS Type

