

Model PSS

General Purpose Pressure Switches

Description

PSS sensing element, has excellent temperature properties by adopting a self temperature compensation foil strain gauge. A diaphragm and a pressure port are composed as one body for the prevention of leakage. It can control the system without any controller due to the output of a 2-channel NPN open collector switch.

Features

- ▶ Electrical pressure switch with no mechanical moving part
- ▶ Fast response 1ms
- ▶ Measuring range 0~400MPa
- ▶ Two pressure setting points
- ▶ Self temperature compensation foil strain gauge
- ▶ Stainless steel media-wetted materials

Applications

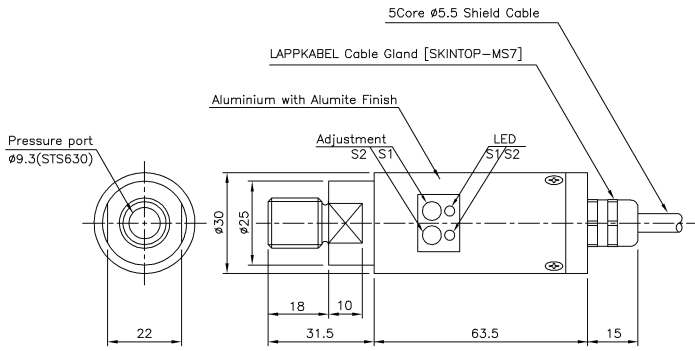
- ▶ Process control
- ▶ Hydraulics & Pneumatic
- ▶ Compressor Control
- ▶ Chillers
- ▶ Refrigeration Equipment

Specifications



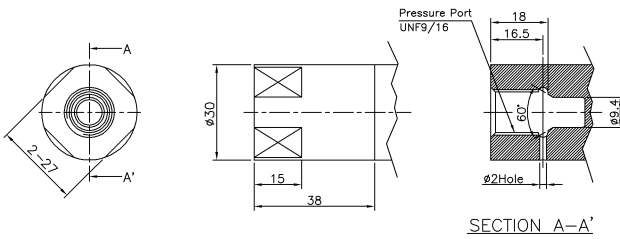
	PSSI	PSSL
Range		
	0~1, 2, 3, 5, 10, 20, 30, 35, 50, 100, 250, 400MPa (Gauge)	
	-0.1~0, 1, 2, 3, 5, 10, 20, 30, 35, 50, 100, 250, 400MPa (Gauge)	
Performance		
Accuracy		±1%FS
Hysteresis		3%FS (Factory Setting)
Thermal Effect on Zero		±0.1%FS/°C
Thermal Effect on Span		±0.1%FS/°C
Compensated Temperature Range		-10 ~ 70°C
Operating Temperature Range		-20 ~ 80°C
Electrical		
Excitation		11 ~ 28VDC
Output	(analog) (switch)	1~3VDC NPN Open Collector
Switch Load Current		28V 80mA Max.
Electrical Connection		Cable
Physical		
Proof Pressure	150%FS Max.(≤100MPa), 120%FS Max.(>100MPa)	
Burst Pressure	200%FS Min.(≤100MPa), 130%FS Min.(>100MPa)	
Vibration	49.1m/s ² {5G}, 10~500Hz	
Shock	490m/s ² {50G}	
Pressure port	R(PT)3/8"	
Media-Wetted Materials	Stainless Steel 630	
Weight	Approx. 180g (include cable 1m)	

Dimension

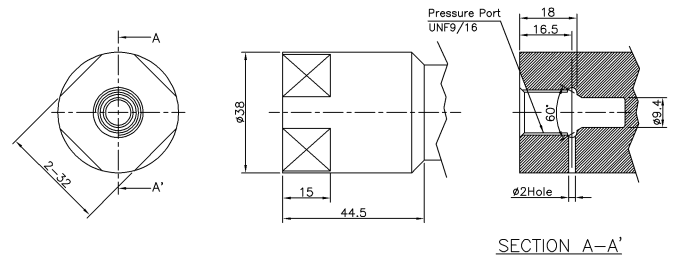


Wire Color	Connections	
	PSSI	PSSL
Red	Power ⊕	Power ⊕
Black	Com. ⊖	Com. ⊖
Green	Analog Output ⊕	×
Yellow	Switch 1	Switch 1
White	Switch 2	Switch 2
Shield	Earth	Earth

▶ Port of 250MPa Type

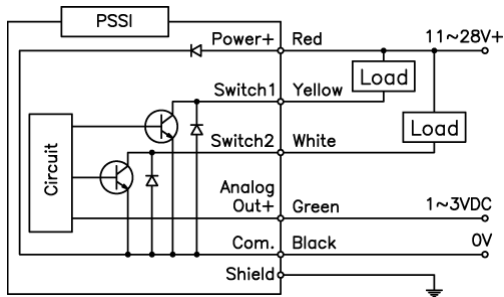


▶ Port of 400MPa Type

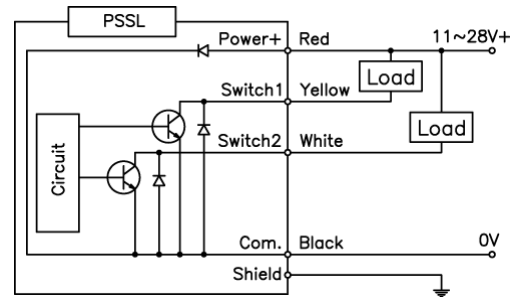


Circuit Diagram

▶ PSSI



▶ PSSL



Ordering Information

Model Name	PSS L 0010 K A S A	Option	A : Normal
Output	I : Switch 1,2 / Analog 1~3VDC L : Switch 1,2 / Analog None	Connecting Methods	S : Cable Gland
Pressure Range	XXXX : Pressure CXXX : Compound Pressure	Pressure port	A : R(PT)3/8" K : UNF9/16"(Female)
		Pressure Unit	M : MPa B : bar K : kgf/cm ² P : psi

Sensys SENSOR SYSTEM TECHNOLOGY CO., LTD.

ADD : Rm.5010, Ansan Digital Park, 81, Neungan-ro,
Danwon-gu, Ansan-si, Gyeonggi-do, Korea.
TEL : 82-31-310-8910~9
FAX : 82-31-310-8920
http://www.sensys.co.kr
e-mail : master@sensys.co.kr

· Specifications are subject to change without notice.