

Model PTD

General Purpose Pressure Transducer

Description

PTD model has applied Silicon Piezoresistive cell, which attached High Temperature Glass on Titanium. Since it does not use O-ring, there is no possibility of corrosion and leak. Its low price makes it suitable for industrial uses. With its various outputs, it may be interfaced with various controllers.

Features

- ▶ CE Certified
- ▶ Built-in amplifier Circuit(VDC, mA)
- ▶ Measuring range -0.1 ~ 150MPa
- ▶ 0.5%FS accuracy
- ▶ Piezoresistive silicon cell
- ▶ Stainless steel, Titanium media-wetted materials

Applications

- ▶ Process control
- ▶ Hydraulics & Pneumatic
- ▶ Compressor Control
- ▶ Chillers
- ▶ Refrigeration Equipment



Specifications

Range

0 ~ 300kPa ... 150MPa (Gauge)
-100kPa ~ 0 ~ 300kPa ... 150MPa (Gauge)

Performance

Accuracy $\pm 0.5\%FS(RSS)$
Thermal Effect on Zero $\pm 0.05\%FS/^{\circ}C$ ($\leq 200kPa$: $\pm 0.1\%FS/^{\circ}C$)
Thermal Effect on Span $\pm 0.05\%FS/^{\circ}C$ ($\leq 200kPa$: $\pm 0.1\%FS/^{\circ}C$)
Compensated Temperature Range $-10 \sim 70^{\circ}C$
Operating Temperature Range $-20 \sim 80^{\circ}C$ (Optional $-20 \sim 100^{\circ}C$)

Electrical

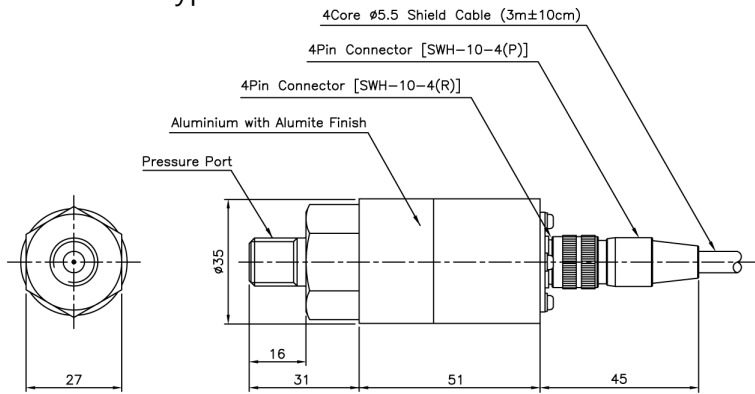
Excitation 11 ~ 28VDC
Output 0~5VDC, 1~5VDC, 0~10VDC, 4~20mA(2Wire)
Electrical Connection Connector, Head, Din Connector

Physical

Proof Pressure X1.5 or 150MPa, Whichever is less.
Burst Pressure X2 or 150MPa, Whichever is less.
Vibration $49.1m/s^2\{5G\}$, 10~500Hz
Shock $490m/s^2\{50G\}$
Pressure Port R(PT)1/8", G(PF)1/8", R(PT)1/4"(Stock), G(PF)1/4", R(PT)3/8"(Stock), G(PF)3/8"
Media-Wetted Materials Stainless Steel 304 + Titanium 87% or Titanium 87%
Weight Connector type : Approx. 140g (Sensor Only)

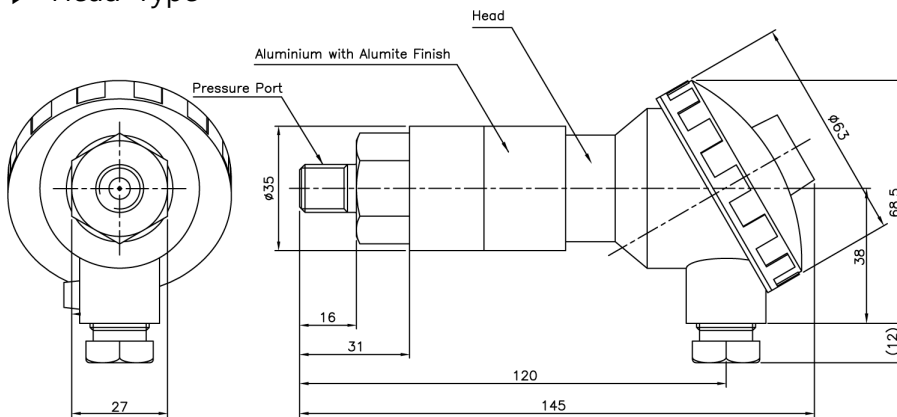
Dimension

► Connector Type



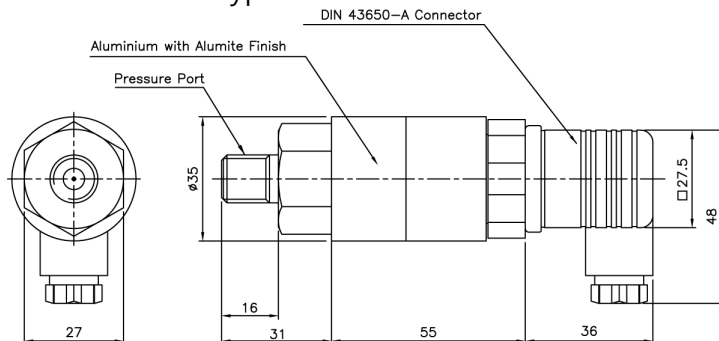
Pin No.	Wire Color	Connections		
		4Wire	3Wire	2Wire
1	Red	Input ⊕	Input ⊕	Input ⊕
2	White	Output ⊖	Common ⊖	×
3	Black	Input ⊖	×	Output ⊕
4	Green	Output ⊕	Output ⊕	×
5	Shield	Earth	Earth	Earth

► Head Type



No.	Connections
	2Wire
1	Input ⊕
2	Earth
3	Output ⊕

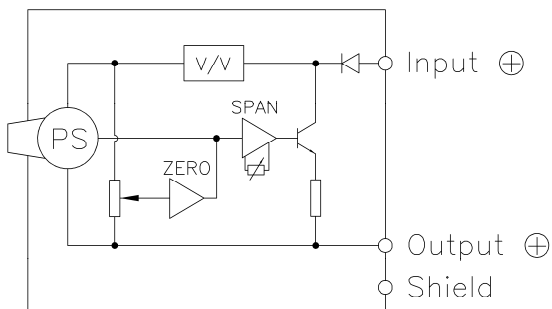
► Din connector Type



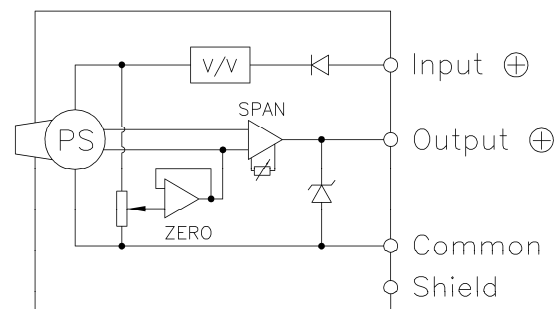
Pin No.	Connections	
	3Wire	2Wire
1	Input ⊕	Input ⊕
2	Common ⊖	Output ⊕
3	Output ⊕	×
⊕	Earth	Earth

Internal Circuit Diagram

► 2Wire mA Output Type



► 3, 4Wire VDC Output Type



Ordering Information

PTD		B	0100	R	A	P	A	-	TI
Model Name								Media-Wetted Materials	
								None : SS304, Ti 87%	
								TI : Ti 87%	
Output								Option	
B : 4Wire 0~5V		H : 2Wire 4~20mA						A : Normal	
C : 3Wire 0~5V		J : 3Wire 0~10V						B : Temperature Range -20~100°C	
D : 4Wire 1~5V		K : 4Wire 0~10V							
E : 3Wire 1~5V									
Pressure Range								Connecting Methods	
XXXX : Pressure								P : Connector	
CXXX : Compound Pressure								W : Water Proof Connector(IP67)	
								H : Head	
								I : Din 43650-A connector	
Pressure Unit								Pressure port	
R : kPa	M : MPa							A : R(PT)3/8"	D : G(PF)1/4"
B : bar	K : kgf/cm ²							B : G(PF)3/8"	E : R(PT)1/2"
P : psi	H : mmHg							C : R(PT)1/4"	Q : G(PF)1/2"