

# Model PTE

## General Purpose Pressure Transducer

### Description

PTE model is the low price, the compact size pressure transmitter. It can be applied to precise measurement and builds an inner amplifier to interface with various kinds of controllers.

### Features

- ▶ CE Certified
- ▶ Built-in amplifier Circuit(VDC, mA)
- ▶ Measuring range 0~10MPa
- ▶ 0.5%FS accuracy
- ▶ Piezoresistive silicon cell
- ▶ Stainless steel, VITON media-wetted materials

### Applications

- ▶ Off road equipment
- ▶ Hydraulics & Pneumatic
- ▶ Compressor control
- ▶ Industrial engines
- ▶ Pump pressure control



### Specifications

#### Range

0 ~ 100kPa ...10MPa (Gauge, Absolute)

#### Performance

Accuracy	±0.5%FS(RSS)
Thermal Effect on Zero	±0.05%FS/°C
Thermal Effect on Span	±0.05%FS/°C
Compensated Temperature Range	-10 ~ 70°C
Operating Temperature Range	-20 ~ 80°C

#### Electrical

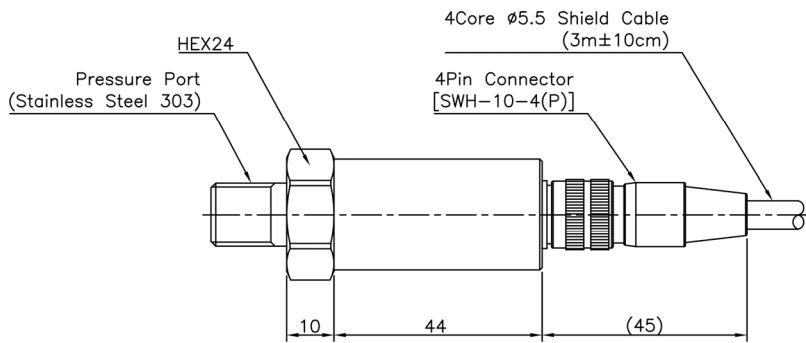
Excitation	11 ~ 28VDC
Output	0~5VDC, 1~5VDC, 0~10VDC, 4~20mA(2Wire)
Electrical Connection	Connector, Water Proof Connector, M12 Connector, Mini DIN Connector, Cable

#### Physical

Proof Pressure	150%FS Max.
Burst Pressure	200%FS Min.
Vibration	49.1m/s <sup>2</sup> {5G}, 10~500Hz
Shock	490m/s <sup>2</sup> {50G}
Pressure port	R(PT)1/4", G(PF)1/4"
Media-Wetted Materials	Stainless Steel 303, 316L, VITON (G1/4 Seal : NBR)
Weight	Approx. 100g

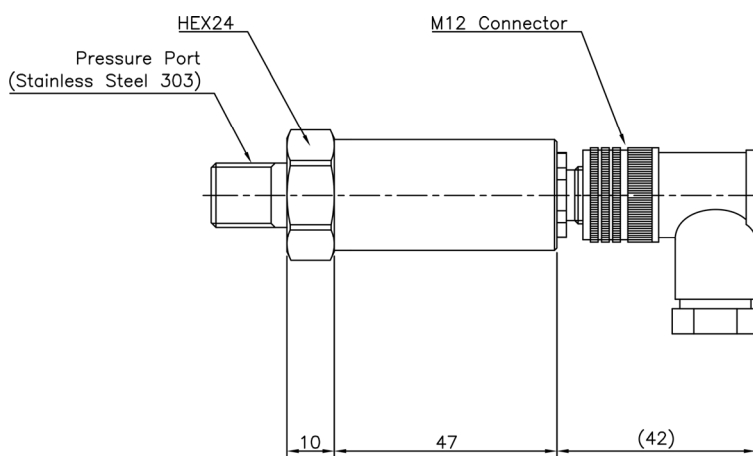
## Dimension

### ► Connector / Water Proof Connector Type



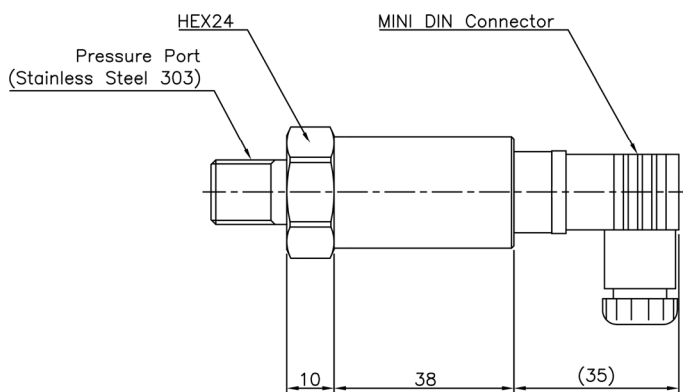
Pin No.	Wire Color	Connections	
		3Wire	2Wire
1	Red	Input ⊕	Input ⊕
2	White	Common ⊖	×
3	Black	×	Output ⊕
4	Green	Output ⊕	×
5	Shield	Earth	Earth

### ► M12 Connector Type



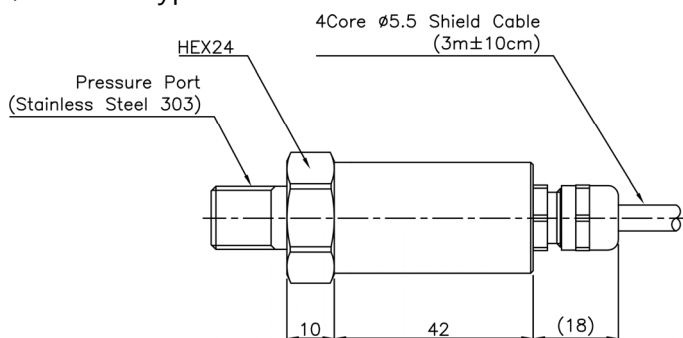
Pin No.	Wire Color	Connections	
		3Wire	2Wire
1	Brown	Input ⊕	Input ⊕
2	White	Output ⊕	×
3	Blue	Common ⊖	Output ⊕
4	Black	Earth	Earth

### ► Mini DIN connector Type



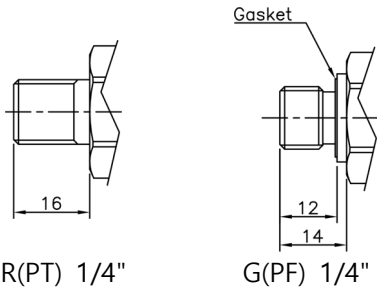
Pin No.	Connections	
	3Wire	2Wire
1	Input ⊕	Input ⊕
2	Common ⊖	Output ⊕
3	Output ⊕	×
⊖	Earth	Earth

### ► Cable Type



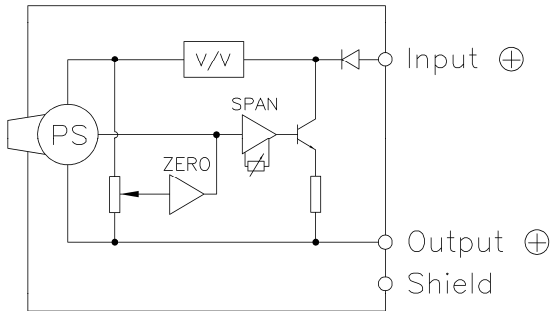
Wire Color	Connections	
	3Wire	2Wire
Red	Input ⊕	Input ⊕
White	Common ⊖	×
Black	×	Output ⊕
Green	Output ⊕	×
Shield	Earth	Earth

▶ Pressure Port

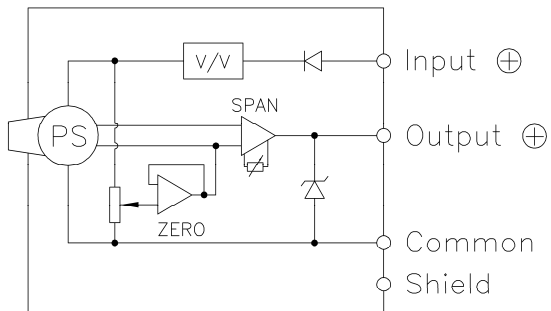


**Internal Circuit Diagram**

▶ 2Wire mA Output Type



▶ 3Wire VDC Output Type



**Ordering Information**

<b>P T E E 0100 R A M G</b>	
<b>Model Name</b>	<b>Type of Pressure Measurement</b>
<b>Output</b> C : 3Wire 0~5V E : 3Wire 1~5V J : 3Wire 0~10V H : 2Wire 4~20mA	G : Gauge J : Absolute
<b>Pressure Range</b> XXXX : Pressure	<b>Connecting Methods</b> P : Connector W : Water Proof Connector E : M12 Connector M : Mini DIN Connector S : Cable
<b>Pressure Unit</b> R : kPa B : bar P : psi M : MPa K : kgf/cm <sup>2</sup> H : mmHg	<b>Pressure port</b> C : R(PT)1/4" D : G(PF)1/4"