

Rotary Switch Disconnecter

MLD, MLDX Series



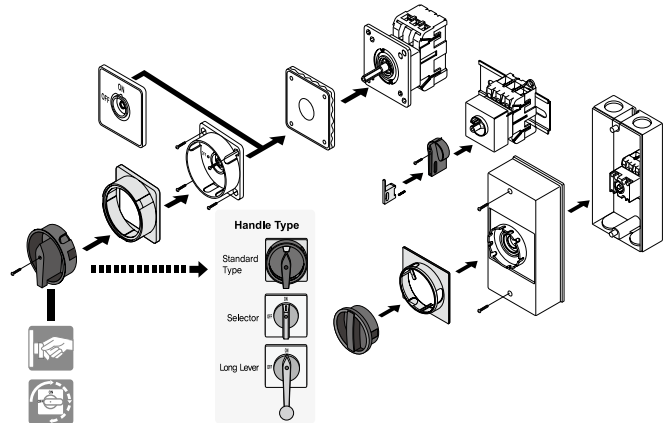
MLD



MLDX



MLD-AX



Part Number Description

MLD - ① ② ③ - ④ (Base Mounted Load Switches)

① Rated Current	020 : 20A	025 : 25A	032 : 32A	040 : 40A
	063 : 63A	080 : 80A	100 : 100A	125 : 125A
② Mounting Type	P : Pannel Type	D : Din Rail & Surface	ES : Extension Shaft	
③ Hadle Type	E : Emergency (Basic)	S : Selector (only P, ES type)	K : Long Lever (only P, ES type)	
④ Hadle Color	None : Red	K : Black (PE Type)		

MLDX - ① ② (Enclosed Disconnect Load Switches)

① Rated Current	020 : 20A	032 : 32A	040 : 40A
	063 : 63A	080 : 80A	100 : 100A
② Hadle Type	D : Flush		

보조접점

MLD - AX ① (Auxiliary Terminal)

① Applicable MLD models	32 : 020 - 032	63 : 040 - 063	100 : 080 - 125
-------------------------	----------------	----------------	-----------------

* Be careful of damage when attaching or detaching the auxiliary contact point.

Independence

A1 A2

A3 A4

Assemble

A1 A2

A3 A4

General Specification

Division \ Model		MLD - 020		MLD - 025		MLD - 032		MLD - 040		MLD - 063		MLD - 080		MLD - 100		MLD - 125	
Rated Insulation Voltage (U _i)	V	690		690		690		690		690		690		690		690	
Maximum Switching Current (I _{th})	A	25		25		32		40		63		80		100		125	
Rated Current (I _e)																	
AC-2	A	15		15		22		30		43		57		70		90	
AC-3	A	11		11		15		22		36		43		57		75	
Rated Voltage (U _e)	V	240	440	240	440	240	440	240	440	240	440	240	440	240	440	240	440
Contact Capacity																	
AC-2	kW	3.7	5.5	3.7	5.5	5.5	11	7.5	15	9	22	15	30	22	37	30	45
AC-3	kW	2.7	3.7	2.7	3.7	4	7.5	5.5	11	8	18.5	9	22	15	30	18	38
Motor Load	V	240	440	240	440	240	440	240	440	240	440	240	440	240	440	240	440
	HP	2	3	2	3	5	10	7.5	15	10	20	20	40	25	50	32	63
I _{cw} /s	A	180		180		264		360		516		684		840		840	
Wire	mm ²	1.25 - 5.5		1.25 - 5.5		2 - 14		2 - 14		2 - 38		2 - 38		2 - 60		2 - 60	
Tightening Torque	N·m	0.8(8.16kgf·cm)						1.2(12.24kgf·cm)				2.5(25.49kgf·cm)					

* Workable temperature : -25 - 70°C (With no icing)

* IP65

Note) AC-23A: Motor or other fluid load with frequent switching (3-phase, 3-pole)




Rotary Switch Disconnecter

MLD, MLDX Series

Product Selection

Operating Type	Rated Current	Mounting Type	Handle	Part Number	
Main load disconnector - MLD-P Series    	20A	Pannel Type	Emergency	MLD-020PE	
				Emergency(Black)	MLD-020PE-K
				Selector	MLD-020PS
				Long Lever	MLD-020PK
		25A	Pannel Type	Emergency	MLD-025PE
				Emergency(Black)	MLD-025PE-K
				Selector	MLD-025PS
				Long Lever	MLD-025PK
		32A	Pannel Type	Emergency	MLD-032PE
				Emergency(Black)	MLD-032PE-K
				Selector	MLD-032PS
				Long Lever	MLD-032PK
	40A	Pannel Type	Emergency	MLD-040PE	
			Emergency(Black)	MLD-040PE-K	
			Selector	MLD-040PS	
			Long Lever	MLD-040PK	
	63A	Pannel Type	Emergency	MLD-063PE	
			Emergency(Black)	MLD-063PE-K	
			Selector	MLD-063PS	
			Long Lever	MLD-063PK	
	80A	Pannel Type	Emergency	MLD-080PE	
			Emergency(Black)	MLD-080PE-K	
			Selector	MLD-080PS	
			Long Lever	MLD-080PK	
	100A	Pannel Type	Emergency	MLD-100PE	
			Emergency(Black)	MLD-100PE-K	
			Selector	MLD-100PS	
			Long Lever	MLD-100PK	
	125A	Pannel Type	Emergency	MLD-125PE	
			Emergency(Black)	MLD-125PE-K	





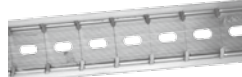


Product Selection

Operating Type	Rated Current	Mounting Type	Handle	Part Number
Main load disconnectors - MLD-DE Sereis 	20A	Din Rail & Surface	Emergency	MLD-020DE
	32A	Din Rail & Surface	Emergency	MLD-032DE
Main load disconnectors - MLD-ES Sereis 	20A	Extension Shaft	Emergency	MLD-020ESE
			Selector	MLD-020ESS
			Long Lever	MLD-020ESK
	32A	Extension Shaft	Emergency	MLD-032ESE
			Selector	MLD-032ESS
			Long Lever	MLD-032ESK
	40A	Extension Shaft	Emergency	MLD-040ESE
			Selector	MLD-040ESS
			Long Lever	MLD-040ESK
	63A	Extension Shaft	Emergency	MLD-063ESE
			Selector	MLD-063ESS
			Long Lever	MLD-063ESK
80A	Extension Shaft	Emergency	MLD-080ESE	
		Selector	MLD-080ESS	
		Long Lever	MLD-080ESK	
100A	Extension Shaft	Emergency	MLD-100ESE	
		Selector	MLD-100ESS	
		Long Lever	MLD-100ESK	
Main load disconnectors Box type - MLDX Sereis 	20A	-	Flush	MLDX-020D
	32A	-	Flush	MLDX-032D
	40A	-	Flush	MLDX-040D
	63A	-	Flush	MLDX-063D
	80A	-	Flush	MLDX-080D

Rotary Switch Disconnecter

MLD, MLDX Series

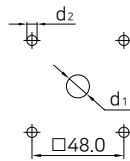
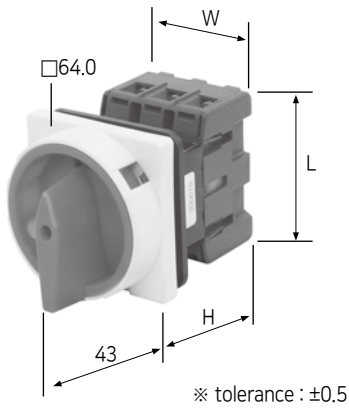
Option

Auxiliary Terminal					
	Capacity by Rated Voltage	Application Model	Contact Type	Contact Material	Part Name
Auxiliary Terminal 	6A 220V-240V /4A 380V-440V	MLD-020 MLD-025 MLD-032	1C (1NO+ 1NC)	Ag alloy	MLD-AX32
	6A 220V-240V /4A 380V-440V	MLD-040 MLD-063	1C (1NO+ 1NC)	Ag alloy	MLD-AX63
	6A 220V-240V /4A 380V-440V	MLD-080 MLD-100 MLD-125	1C (1NO+ 1NC)	Ag alloy	MLD-AX100
Channel		Stopper		Shaft	
KTB2-CHB (Standard 1M) KTB2-CHB-2M 	KTB2-CHC (Standard 1M)  *Cutting type	KTB2-STB 		MLD-ES SHAFT-05(0.5M) MLD-ES SHAFT-10(1M) 	

Dimension & Panel Cut-Out

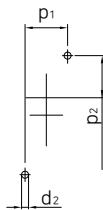
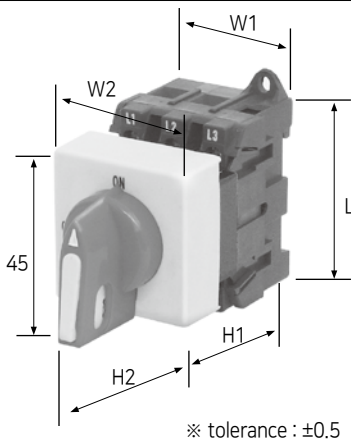
Unit : mm

MLD-P



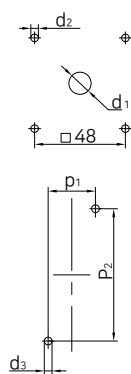
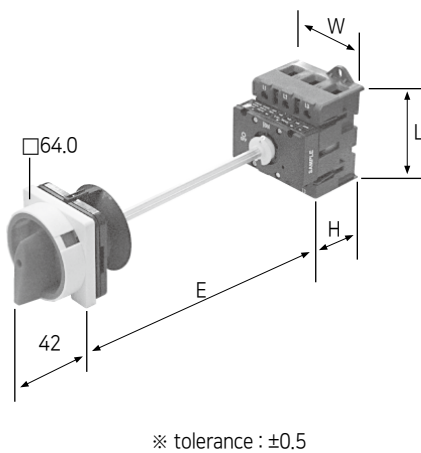
Model	dimensions			Panel Cut-Out	
	H	L	W	d1	d2
MLD-020PE	55	55	43	20.0	4.2
MLD-025PE	55	55	43	20.0	4.2
MLD-032PE	55	55	43	20.0	4.2
MLD-040PE	60	65	50	20.0	4.2
MLD-063PE	60	65	50	20.0	4.2
MLD-080PE	70	80	70	20.0	4.2
MLD-100PE	70	80	70	20.0	4.2
MLD-125PE	70	80	70	20.0	4.2

MLD-D



Model	dimensions					Panel Cut-Out		
	H1	H2	L	W1	W2	d1	p1	p2
MLD-020DE	57.5	48	55	42.5	44	4.5	22	60
MLD-032DE	57.5	48	55	42.5	44	4.5	22	60

MLD-ES



Model	dimensions				Panel Cut-Out			/ Mounting	
	H	L	W	E	d1	d2	d3	P1	P2
MLD-020ES	51	55	43	150	20	4.2	4.2	22	60
MLD-032ES	51	55	43	150	20	4.2	4.2	22	60
MLD-040ES	61	64	50	150	20	4.2	4.2	25	70
MLD-063ES	61	64	50	150	20	4.2	4.2	25	70
MLD-080ES	68	81	71	150	20	4.2	5.2	25	90
MLD-100ES	68	81	71	150	20	4.2	5.2	25	90

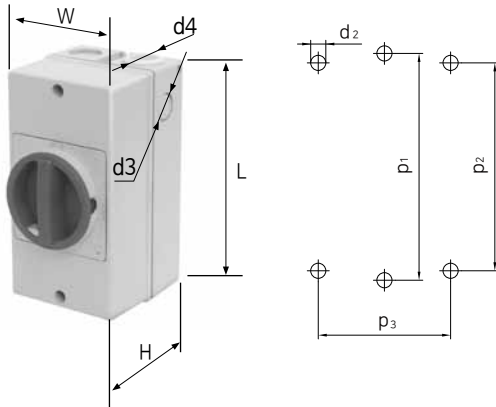
Rotary Switch Disconnecter

MLD, MLDX Series

Dimension & Panel Cut-Out

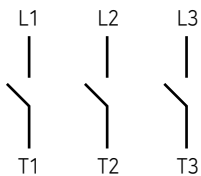
Unit : mm

MLDX



Model	dimensions					Panel Cut-Out			
	d4	d3	W	H	L	P1	P2	P3	d2
MLDX-020	23	19	85	82	155	148	70	70	4.1
MLDX-032	23	19	85	82	155	148	70	70	4.1
MLDX-040	29	23	95	95	185	178	85	85	4.1
MLDX-063	29	23	95	95	185	178	85	85	4.1
MLDX-080	37.5	23	145	103	250	-	229	124	6

wiring



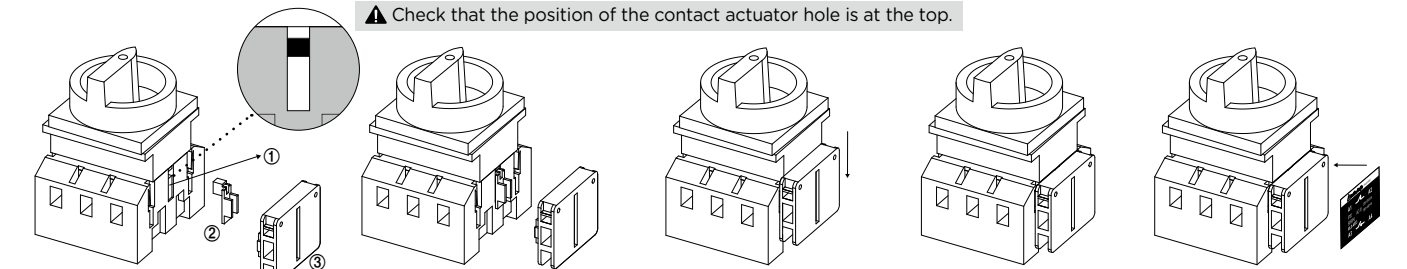
Pre-Caution

- Please use a wire that meets the specifications.
- Please use within the product rating.
- Be sure to turn off the power during disassembly and assembly work.

Example of auxiliary contact installation

· MLD-00P Type

⚠ Check that the position of the contact actuator hole is at the top.



· Align the directions of the groove part of the MLD switch contact part (①), the actuator (②), and the auxiliary contact point (③).

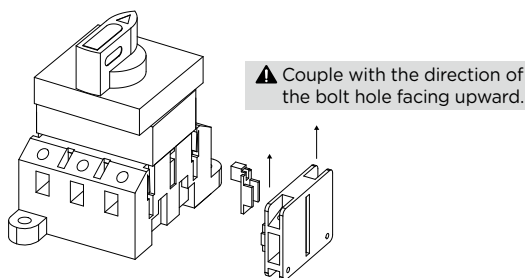
· In the groove part (①) of the MLD switch contact part Combine the actuator (②).

· Pull down the auxiliary contact point (③) from top to bottom and connect it to the actuator (②).

· This shows the auxiliary contact point 1C combined.

· Complete by attaching the enclosed sticker so that it is visible.

· MLD-00D, MLD-00ES Type



⚠ Couple with the direction of the bolt hole facing upward.

The bolt hole of the auxiliary contact point is located upward to connect it. The subsequent method is the same as MLD-00P Type.