

SBA

S-Beam Load Cell



Description

The SBA is a tensile type load cell of steel material. Suitable for tensile scale, tensile material testing machines.

Specifications

Capacity(R.L.)	kgf	25, 50, 100, 200, 500, 1K, 2K, 3k, 5K	
Rated Output	mV / V	3.0 ± 0.3	
Zero Balance	mV / V	0.0 ± 0.03	
Accuracy Class	-	C3	-
Non-Linearity	% R.O.	≤0.02	≤0.03
Hysteresis	% R.O.	≤0.02	≤0.03
Combined Error	% R.O.	≤0.02	≤0.03
Repeatability	% R.O.	≤0.01	≤0.01
Creep for 30min.	% R.O.	≤0.017	≤0.03
Return for 30min.	% R.O.	≤0.017	≤0.03
Resolution	-	≤1/5000	≤1/3000
Division	mV / V	0.0006	0.001
Temperature Effect on	-Zero Value	%/10°C	≤0.028
	-Output Value	%/10°C	≤0.015
Excitation	-Recommended	V	10
	-Maximum	V	15
Resistance	-Input	Ω	400 ± 3.5
	-Output	Ω	350 ± 3.5
	-Insulation	MΩ	> 2000
Compensated Temperature Range	°C	-10 to +40	
Operating Temperature Range	°C	-30 to +80	
Material & Plate	-	Steel	
Cable Specification	-	Ø5.4 x 4P x 3m (Urethane)	
Safety Overload	% R.L.	150	

Features

- ▶ Tensile type
- ▶ Designing according to IP65

Option

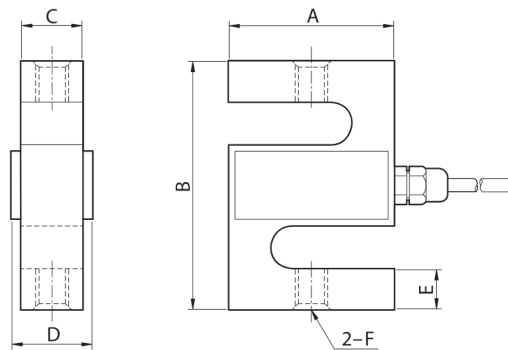
- ▶ Obtaining OIML C3 Approved (OIML R60)
- ▶ Acquiring NTEP class III 5000d Approved
- ▶ Rod end bearing type accessories (25-100 kgf: M6 x 1.0) (200-1tf: M12 x 1.75) (2-5tf: M18 x 1.5)

Application

- ▶ Material tester
- ▶ Tensile testing machine

Dimensions

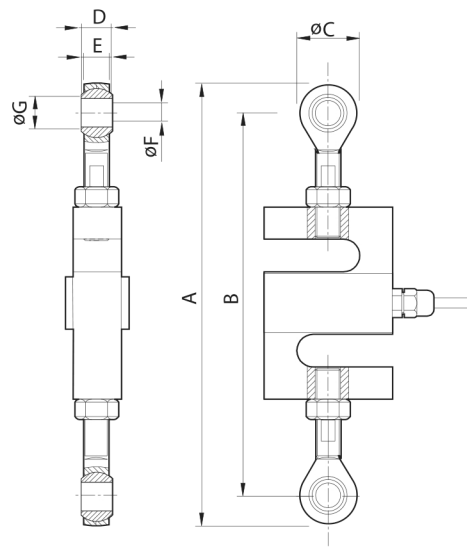
- ▶ SBA



Capa.	A	B	C	D	E	F	Cable (m)
25-100kgf	50.8	63.5	12.7	20	10.3	M6 X 1	3
200-500kgf	51	76	19	27	12.6	M12 X 1.75	
1tf	51	76	25.4	33	12.6	M12 X 1.75	
2-3tf	77	108	25.4	33	19	M18 X 1.5	
5tf	77	108	25.4	33	19.5	M18 X 1.5	

Accessory Dimensions

► SBA (Rod end bearing)



Capa.	A	B	C	D	E	F	G
25~100 kgf	134.1	115.6	18.5	9	6.8	9	12
200kgf~1tf	211.1	177.1	34	16	12	12	15.4
2~3tf	318	258	60	23	22	18	21.9
5tf	317	257	60	23	22	18	21.9