

# SBS-EXP

Explosion Proof  
S-Beam Load Cell



## Features

- ▶ Tension type
- ▶ Stainless steel material
- ▶ Explosion-proof structure (intrinsic safety, internal pressure, dust)
- ▶ Hermetically sealed structure
- ▶ Designed according to IP66

## Option

- ▶ Intrinsic safety explosion (Ex ia IIC T4)
- ▶ Explosion proof (Ex d IIC T4)
- ▶ Dust explosion (Ex tD A21 T135 °C IP66)
- ▶ Rod End Bearing Type Accessory  
(500 kgf: M12 x 1.75)  
(1 to 2 tf: M18 x 1.5)  
(5K: M24 x 2.0)

## Application

- ▶ Crane Scale
- ▶ Material Testing Machine
- ▶ Tensile Testing Machine

## Description

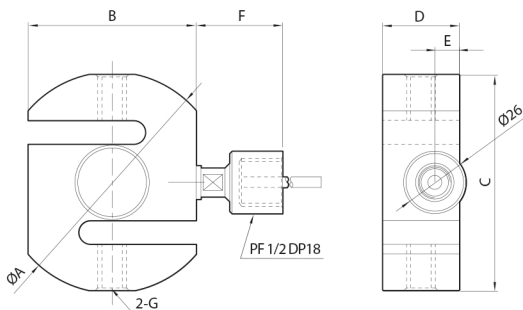
SBS-EXP is a stainless steel tensile type load cell. Designed as an explosion-proof construction, it is suitable for explosion hazardous areas and is suitable for tensile type scale and tensile type material testing machine. It is made of stainless steel material and has IP66 waterproof and dustproof structure. It is suitable for moisture environment.

## Specifications

Capacity(R.L.)	kgf	500, 1K, 2K, 5K	
Rated Output	mV / V	2.0 ± 0.002	
Zero Balance	mV / V	0.0 ± 0.02	
Accuracy Class	-	-	
Non-Linearity	% R.O.	≤ 0.05	
Hysteresis	% R.O.	≤ 0.05	
Combined Error	% R.O.	≤ 0.05	
Repeatability	% R.O.	≤ 0.02	
Creep for 30min.	% R.O.	≤ 0.03	
Return for 30min.	% R.O.	≤ 0.03	
Resolution	-	≤ 1/2000	
Division	mV / V	0.001	
Temperature Effect on	-Zero Value -Output Value	%/10°C %/10°C	
		≤ 0.03 ≤ 0.014	
Excitation	-Recommended	V	10
	-Maximum	V	28
Resistance	-Input	Ω	400 ± 25
	-Output	Ω	350 ± 3.5
	-Insulation	MΩ	> 2000
Compensated Temperature Range	°C	-10 to + 40	
Operating Temperature Range	°C	-30 to + 80	
Material & Plate	-	Stainless steel	
Cable Specification	-	Ø5 x 4P x 5m (Urethane)	
Safety Overload	% R.L.	150	

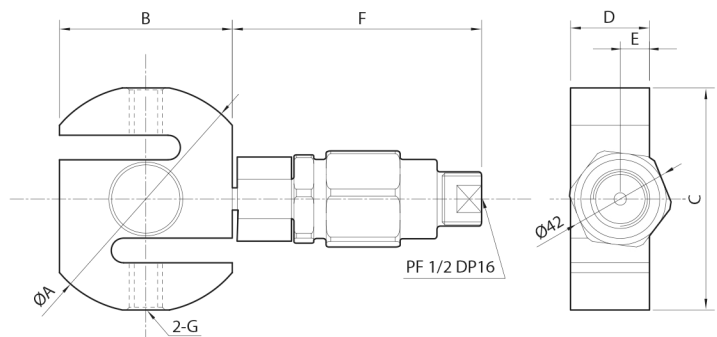
## Dimensions

### ▶ Intrinsic safety



Capa.	A	B	C	D	E	F	G	Cable (m)
500kgf	92	70	90	32	10.3	36	M12 x 1.75	5
1~2tf	92	70	90	32	10.3	36	M18 x 1.5	
3tf	130	100	120	45	15	36	M24 x 2.0	

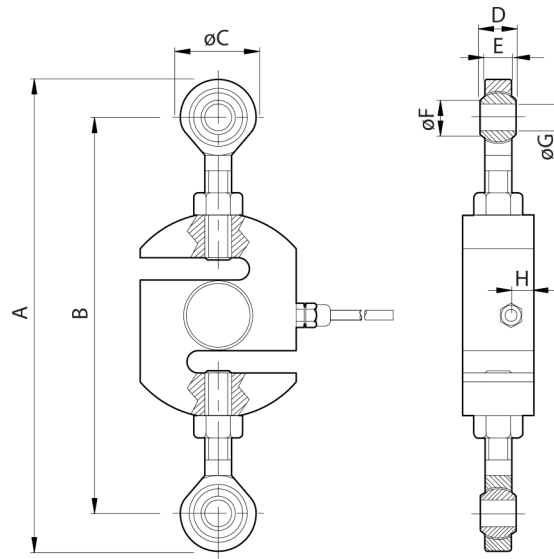
### ▶ Flameproof, Dust-proof



Capa.	A	B	C	D	E	F	G	Cable (m)
500kgf	92	70	90	32	10.3	101	M12 x 1.75	5
1~2tf	92	70	90	32	10.3		M18 x 1.5	
5tf	130	100	120	45	15		M24 x 2.0	

## Accessory Dimensions

► SBS (Rod end bearing)



Capa.	A	B	C	D	E	F	G	H
500kgf	212	178	34	16	12	15.4	12	10.3
1~2tf	299.7	239.7	60	23	22	21.9	18	10.3
5tf	490	388	102	28	27	25.8	22	15