

# SL | S-Beam Load Cell



## Features

- ▶ Tension type
- ▶ Overload protection structure
- ▶ Designed according to IP66

## Option

- ▶ Sharkle type accessory

## Application

- ▶ Material Testing Machine
- ▶ Tensile Testing Machine

## Description

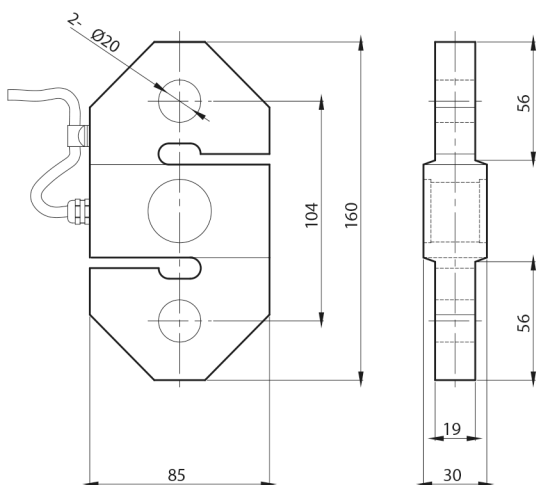
SL is a tensile type load cell of steel material. It is suitable for tensile type scale and tensile type material testing machine. This is a load cell that has safety certification in conjunction with the LM-200A overload protection system for cogs.

## Specifications

Capacity(R.L.)	kgf	2K, 5K	
Rated Output	mV / V	2.0 ± 0.05	
Zero Balance	mV / V	0.0 ± 0.03	
Accuracy Class	-	-	
Non-Linearity	% R.O.	≤0.05	
Hysteresis	% R.O.	≤0.05	
Combined Error	% R.O.	≤0.05	
Repeatability	% R.O.	≤0.05	
Creep for 30min.	% R.O.	≤0.05	
Return for 30min.	% R.O.	≤0.05	
Resolution	-	≤1/2000	
Division	mV / V	0.001	
Temperature Effect on	-Zero Value -Output Value	%/10°C %/10°C	≤0.05 ≤0.05
Excitation	-Recommended -Maximum	V V	10 15
Resistance	-Input -Output -Insulation	Ω Ω MΩ	350 ± 3.5 350 ± 3.5 > 2000
Compensated Temperature Range	°C		-10 to +40
Operating Temperature Range	°C		-30 to +80
Material & Plate	-		Steel
Cable Specification	-		Ø5.4x4Px6.5m (Urethane)
Safety Overload	% R.L.		150

## Dimensions

▶ SL-2T



▶ SL-5T

