

# Signal Tower

ST Series



## Part Number Description

**ST**<sup>1</sup> - <sup>2</sup> <sup>3</sup> <sup>4</sup> <sup>5</sup> <sup>6</sup> <sup>7</sup>

<b>1 Model</b>	L : Standard E : EtherNet	C : CC-Link U : USB	D : DeviceNet
<b>2 Function / Signal Input Type</b>	1 : Power Input In Continuously Type 4 : Contact Input In Blinking Type	2 : Contact Input In Continuously Type 5 : Input The Communication Signal	3 : Power Input In Blinking Type
<b>3 Sound</b>	0 : No Sounds 3 : Melody (Upto 4 Channels)	1 : Single Tone Buzzer Piezo Buzzer 4 : Siren ( Only EtherNet, 3 Different Words.)	2 : Multi-Tone Buzzer (Up To 4 Different Sounds)
<b>4 Number of Stack</b>	1 : 1 Stack      2 : 2 Stack	3 : 3 Stack      4 : 4 Stac	5 : 5 Stack
<b>5 Attachment Type</b>	1 : Parallel Attachment (Standard) 4 : Serial Connection	2 : Vertical Attachment 5 : Refraction Type	3 : Horizontal Attachment (Small Stick)
<b>6 Rated Voltage</b>	110 ~ 240VAC	24VDC	12VDC
<b>7 Number of Sound</b>	1 : 1 Sound      2 : 2 Sound	3 : 3 Sound      4 : 4 Sound	

☞ The power input type allows Maximum 2 sounds.  
The contact input type can handle up to 4 different sound

## General Specification

<b>External Diameter</b>	Ø58		
<b>Material</b>	<b>Lens</b>	Flame Resistant Polycarbonate	
	<b>Body</b>	Flame Resistance ABS	
	<b>Attachment Bar</b>	Aluminium	
<b>Sound Modules</b>	83 dB		
<b>Degree of Protection</b>	IP 54		
<b>Ambient Temperature</b>	-25°C ~ +50°C (with no icing)		
<b>Current Consumption</b>		AC	DC
	<b>Light On</b>	(13mA x number of levels) + 10mA	(50mA x number of levels)
	<b>Blinking</b>	(13mA x number of levels) + 10mA	(65mA X number of levels)
	<b>Buzzer lamp on</b>	(13mA x number of levels) + 25 mA	(50mA x number of levels) + 170mA
	<b>Buzzer blinking</b>	(13mA x number of levels) + 25mA	(65mA x number of levels) + 170mA

## Product Selection

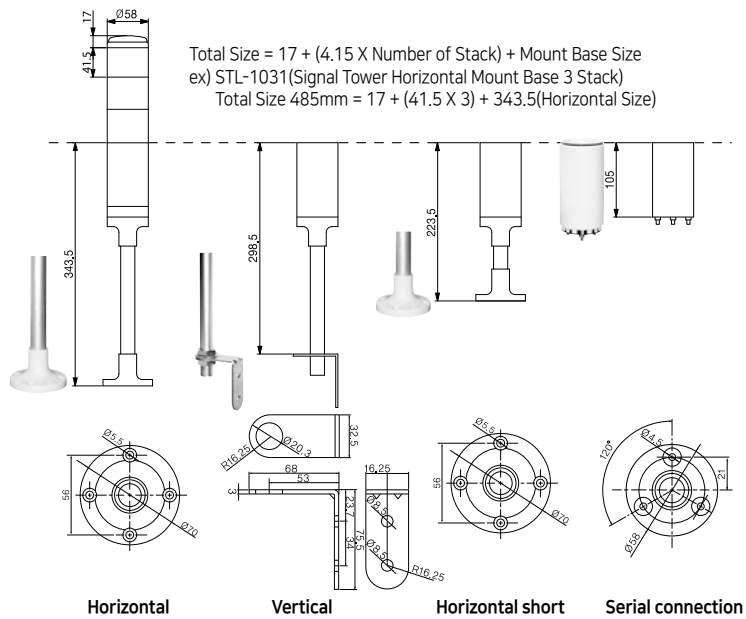
Rated Voltage	Operation Type	Buzzer	Sound I/O Method	Part Number		
12/24VDC	Lights On	None	Power	STL - 10 <sup>4</sup> <sup>5</sup>		
			Contact	STL - 20 <sup>4</sup> <sup>5</sup>		
		Installed	Power	STL - 11 <sup>4</sup> <sup>5</sup>		
			Contact	STL - 21 <sup>4</sup> <sup>5</sup>		
		Flicker	None	Power	STL - 30 <sup>4</sup> <sup>5</sup>	
				Contact	STL - 40 <sup>4</sup> <sup>5</sup>	
	Installed		Power	-		
			Contact	STL - 41 <sup>4</sup> <sup>5</sup>		
	110 ~ 240VAC		Lights On	None	Power	STL - 10 <sup>4</sup> <sup>5</sup>
					Contact	STL - 20 <sup>4</sup> <sup>5</sup>
		Installed		Power	STL - 11 <sup>4</sup> <sup>5</sup>	
				Contact	STL - 21 <sup>4</sup> <sup>5</sup>	
Flicker		None		Power	-	
				Contact	STL - 40 <sup>4</sup> <sup>5</sup>	
		Installed	Power	-		
			Contact	STL - 41 <sup>4</sup> <sup>5</sup>		

## Mount Base



## Dimension

Unit : mm



## Wiring Diagram

