

Control Switch

T Series Full Metal



Part Number Description

T	1	2	3	4	5	6	7	8
1 Model	16 : Ø16	19 : Ø19	22 : Ø22	25 : Ø25	30 : Ø30			
2 Operator Type	1 : Pilot Light 6 : 2 Position Key	2 : Momentary Push 7 : 3 Position Key	3 : Maintained Push 8 : Emergency Stop	4 : 2 Position Selector	5 : 3 Position Selector			
3 Illumination & Shape	1 : Non-illuminated Round CL : Continuous(Illuminated)		7 : Illuminated LED Round					
4 Contact Form	0 : No Contact	1 : 1C(1N/O + 1N/C)	2 : 2C(2N/O + 2N/C)					
5 Button Type	No mark : Flush Head P : Power Marking Q : Lit type*	H : Extended (Non-Illuminated) HC : Extended (Illuminated)	A : Dome(Non-Illuminated)* AC : Dome(Illuminated)*					
6 Connection	None : Standard	P : Terminal type	S : Bolt Type*(Only Pilot light)					
7 Color	R : Red K : Black*	G : Green	Y : Yellow	B : Blue	W : White			
8 Rated Voltage	D06 : 6VDC	D12 : 12VDC	D4 : 24VDC	A1 : 110VAC*	A2 : 220VAC			

- ※ * The mark is on demand.
- ※ Bolt type is available only for indicators.
- ※ Black color for each model is on-demand.
- ※ 6VDC (out of Flush Head type), 12VDC (out of Flush Head type) and 110VAC for each model are on-demand.

Ø16

Ø19

Ø22

Ø25

Ø30

Dimension

Caution

Part Number Description

T	1	2	3	4	5	6	7	8
1 Model	16 : Ø16	19 : Ø19	22 : Ø22	25 : Ø25	30 : Ø30			
2 Operator Type	1 : Pilot Light 6 : 2 Position Key	2 : Momentary Push 7 : 3 Position Key	3 : Maintained Push 8 : Emergency Stop	4 : 2 Position Selector	5 : 3 Position Selector			
3 Illumination & Shape	1 : Non-illuminated Round CL : Continuous(Illuminated)		7 : Illuminated LED Round					
4 Contact Form	0 : No Contact	1 : 1C(1N/O + 1N/C)	2 : 2C(2N/O + 2N/C)					
5 Button Type	No mark : Flush Head P : Power Marking Q : Lit type*	H : Extended (Non-Illuminated) HC : Extended (Illuminated)		A : Dome(Non-Illuminated)* AC : Dome(Illuminated)*				
6 Connection	None : Standard	P : Terminal type	S : Bolt Type*(Only Pilot light)					
7 Color	R : Red K : Black*	G : Green	Y : Yellow	B : Blue	W : White			
8 Rated Voltage	D06 : 6VDC	D12 : 12VDC	D4 : 24VDC	A1 : 110VAC*	A2 : 220VAC			

- ※ * The mark is on demand.
- ※ Bolt type is available only for indicators.
- ※ Black color for each model is on-demand.
- ※ 6VDC (out of Flush Head type), 12VDC (out of Flush Head type) and 110VAC for each model are on-demand.

Ø16

Ø19

Ø22

Ø25

Ø30

Dimension

Caution

Control Switch

T Series Full Metal

General Specification

Type		T16	T19	Other than T22 PB PBL 1C	T22 PB PBL 1C T25, 30	
General Ratings	Contact Resistance	Max. 50mΩ				
	Insulation Resistance	Min. 100MΩ (500VDC)				
	Dielectric Strength	2,000VAC (1 minute)				
	Vibration Resistance	5 ~ 55Hz dual amplitude : 0.75mm Operation				
	Shock Resistance	Endurance : 500m/s ² , operation : 200m/s ²				
	Life Cycles	Mechanical	Momentary : Min. 1,000,000			
			Maintained : Min. 250,000			
		Electrical	Momentary : Min. 100,000 (frequency of on/off 1,200 times / hour)			
			Maintained : Min. 50,000			
	Ambient Temperature	Temperature : -25°C ~ +55°C (with no icing or condensation)				
	Ambient Humidity	45% ~ 85%RH				
	Degree of Protection	IP67	IP54 : S/S, Emergency Stop	IP40 : Buzzer, Key		
Terminal Soldering Temperature	260°C 3sec					
Contact Ratings	Contact Type	1N/O + 1N/C, 2N/O + 2N/C, 1C, 2C				
	Contact Material	Ag alloy (24K gold plate)				
	Rated Insulation Voltage	250VAC				
	Maximum Switching Current	3A	5A			
	Maximum Switching Voltage	250VAC, 110VDC				
	Current Rated	1A 24VDC / 120VAC	3A 24VDC / 120VAC			
		0.5A 250VAC	1.5A 250VAC			
Minimum Switching Current	1mA 5VDC					
Illumination	Lens Color	Red, Green, Yellow, Blue, White, Black				
	Operator type	Round				
	Rated Voltage	6VDC, 12VDC, 24VDC, 110VAC, 220VAC				
	Rated Current	Approx. 10mA				
	Life Cycles ¹⁾	50,000 hours				
Buzzer	Sound Type	Continuous				
	Volume	80dB (Phon) / 0.1m				
	Rated Voltage	24VDC				
	Rated Current	Approx. 15mA				
	Life Cycles	1,000 hours				




1) Luminance is reduced to 50% of initial intensity after being lit for 50,000 hours continuously.

Control Switch

T Series - Ø 16

2-1
Part

Products Selection

	Operator Type	Ø	Contact Form	LED Color	Rated Voltage	Part Number	
	Illuminated LED Pilot Light Flush head Switch Standard	Ø 16	-	Red	6VDC(D06) 12VDC(D12) 24VDC(D4) 220VAC(A2)	T16-170PR	
				Green		T16-170PG	
				Yellow		T16-170PY	
				Blue		T16-170PB	
				White		T16-170PW	
	Non-Illuminated Momentary Push Button Flush head Switch Standard	Ø 16	1C	-	-	T16-211P	
			2C	-	-	T16-212P	
			Non-Illuminated Maintained Push Button Flush head Switch Standard	1C	-	-	T16-311P
				2C	-	-	T16-312P
	Non-Illuminated Momentary Push Button Extended head Switch Standard	Ø 16	1C	-	-	T16-211HP	
			2C	-	-	T16-212HP	
			Non-Illuminated Maintained Push Button Extended head Switch Standard	1C	-	-	T16-311HP
				2C	-	-	T16-312HP

Ø 16

Ø 19

Ø 22

Ø 25

Ø 30

Dimension

Caution

Control Switch

T Series - Ø 16

Products Selection

	Operator Type	Ø	Contact Form	LED Color	Rated Voltage	Part Number
	Illuminated LED Momentary Push Button Flush head Switch Standard	Ø 16	1C	Red	6VDC(D06) 12VDC(D12) 24VDC(D4) 220VAC(A2)	T16-271PR
				Green		T16-271PG
				Yellow		T16-271PY
				Blue		T16-271PB
				White		T16-271PW
			2C	Red	6VDC(D06) 12VDC(D12) 24VDC(D4) 220VAC(A2)	T16-272PR
				Green		T16-272PG
				Yellow		T16-272PY
				Blue		T16-272PB
				White		T16-272PW
	Illuminated LED Maintained Push Button Flush head Switch Standard	Ø 16	1C	Red	6VDC(D06) 12VDC(D12) 24VDC(D4) 220VAC(A2)	T16-371PR
				Green		T16-371PG
				Yellow		T16-371PY
				Blue		T16-371PB
				White		T16-371PW
			2C	Red	6VDC(D06) 12VDC(D12) 24VDC(D4) 220VAC(A2)	T16-372PR
				Green		T16-372PG
				Yellow		T16-372PY
				Blue		T16-372PB
				White		T16-372PW
	Illuminated LED Momentary Push Button Extended head Switch Standard	Ø 16	1C	Red	24VDC(D4) 220VAC(A2)	T16-271HCPR
				Green		T16-271HCPG
				Yellow		T16-271HCPY
				Blue		T16-271HCPB
				White		T16-271HCPW
			2C	Red	24VDC(D4) 220VAC(A2)	T16-272HCPR
				Green		T16-272HCPG
				Yellow		T16-272HCPY
				Blue		T16-272HCPB
				White		T16-272HCPW
	Illuminated LED Momentary Push Button Extended head Switch Standard	Ø 16	1C	Red	24VDC(D4) 220VAC(A2)	T16-371HCPR
				Green		T16-371HCPG
				Yellow		T16-371HCPY
				Blue		T16-371HCPB
				White		T16-371HCPW
			2C	Red	24VDC(D4) 220VAC(A2)	T16-372HCPR
				Green		T16-372HCPG
				Yellow		T16-372HCPY
				Blue		T16-372HCPB
				White		T16-372HCPW

Products Selection

	Operator Type	Ø	Contact Form	LED Color	Operator Function	Rated Voltage	Part Number					
	Non-Illuminated 2 Position Selector Switch Standard	Ø 16	1C	-	90°	-	T16-411P					
			2C				T16-412P					
	Non-Illuminated 3 Position Selector Switch Standard	Ø 16	1C	-	45° 45°	-	T16-512P					
	Illuminated 2 Position Selector Switch Standard	Ø 16	1C	Red	90°	24VDC(D4) 220VAC(A2)	T16-471PR					
				Green			T16-471PG					
				Yellow			T16-471PY					
				Blue			T16-471PB					
				White			T16-471PW					
				2C	Red	90°	24VDC(D4) 220VAC(A2)	T16-472PR				
					Green			T16-472PG				
					Yellow			T16-472PY				
					Blue			T16-472PB				
					White			T16-472PW				
	Illuminated 3 Position Selector Switch Standard	Ø 16	2C	Red	45° 45°	24VDC(D4) 220VAC(A2)	T16-572PR					
				Green			T16-572PG					
				Yellow			T16-572PY					
				Blue			T16-572PB					
				White			T16-572PW					
	2 Position Key Switch Standard	Ø 16	1C	-	90°	-	T16-611P					
			2C	-	90°	-	T16-612P					
	3 Position Key Switch Standard	Ø 16	2C			45° 45°		T16-712P				
	Power Marking Illuminated LED Momentary Push Button Flush head Switch Standard	Ø 16	1C	Red		24VDC(D4) 220VAC(A2)	T16-271PPR					
				Green			T16-271PPG					
			Ø 16	2C	Red		24VDC(D4) 220VAC(A2)	T16-272PPR				
					Green			T16-272PPG				

Ø 16

Ø 19

Ø 22

Ø 25

Ø 30






Dimension

Caution

Control Switch

T Series - Ø 19

Products Selection

	Operator Type	Ø	Contact Form	LED Color	Rated Voltage	Part Number
	Illuminated LED Pilot Light Flush head Switch Standard	Ø 19	-	Red	6VDC(D06) 12VDC(D12) 24VDC(D4) 220VAC(A2)	T19-170PR
				Green		T19-170PG
				Yellow		T19-170PY
				Blue		T19-170PB
				White		T19-170PW
	Non-Illuminated Momentary Push Button Flush head Switch Standard	Ø 19	1C	-	-	T19-211P
			2C	-	-	T19-212P
	Non-Illuminated Maintained Push Button Flush head Switch Standard	Ø 19	1C	-	-	T19-311P
			2C	-	-	T19-312P
	Non-Illuminated Momentary Push Button Extended head Switch Standard	Ø 19	1C	-	-	T19-211HP
			2C	-	-	T19-212HP
	Non-Illuminated Maintained Push Button Extended head Switch Standard	Ø 19	1C	-	-	T19-311HP
			2C	-	-	T19-312HP

Products Selection

	Operator Type	Ø	Contact Form	LED Color	Rated Voltage	Part Number
	Illumination Push Button Switch (Momentary) Flush, Standard	Ø 19	1C	Red	6VDC(D06) 12VDC(D12) 24VDC(D4) 220VAC(A2)	T19-271PR
				Green		T19-271PG
				Yellow		T19-271PY
				Blue		T19-271PB
				White		T19-271PW
			2C	Red	6VDC(D06) 12VDC(D12) 24VDC(D4) 220VAC(A2)	T19-272PR
				Green		T19-272PG
				Yellow		T19-272PY
				Blue		T19-272PB
				White		T19-272PW
	Illuminated LED Maintained Push Button Flush head Switch Standard	Ø 19	1C	Red	6VDC(D06) 12VDC(D12) 24VDC(D4) 220VAC(A2)	T19-371PR
				Green		T19-371PG
				Yellow		T19-371PY
				Blue		T19-371PB
				White		T19-371PW
			2C	Red	6VDC(D06) 12VDC(D12) 24VDC(D4) 220VAC(A2)	T19-372PR
				Green		T19-372PG
				Yellow		T19-372PY
				Blue		T19-372PB
				White		T19-372PW
	Illuminated LED Momentary Push Button Extended head Switch Standard	Ø 19	1C	Red	24VDC(D4) 220VAC(A2)	T19-271HCPR
				Green		T19-271HCPG
				Yellow		T19-271HCPY
				Blue		T19-271HCPB
				White		T19-271HCPW
			2C	Red	24VDC(D4) 220VAC(A2)	T19-272HCPR
				Green		T19-272HCPG
				Yellow		T19-272HCPY
				Blue		T19-272HCPB
				White		T19-272HCPW
	Illuminated LED Maintained Push Button Extended head Switch Standard	Ø 19	1C	Red	24VDC(D4) 220VAC(A2)	T19-371HCPR
				Green		T19-371HCPG
				Yellow		T19-371HCPY
				Blue		T19-371HCPB
				White		T19-371HCPW
			2C	Red	24VDC(D4) 220VAC(A2)	T19-372HCPR
				Green		T19-372HCPG
				Yellow		T19-372HCPY
				Blue		T19-372HCPB
				White		T19-372HCPW

Ø 16

Ø 19

Ø 22

Ø 25

Ø 30

Dimension

Caution

Control Switch

T Series - Ø 19

Products Selection

	Operator Type	Ø	Contact Form	LED Color	Operator Function	Rated Voltage	Part Number	
	Non-Illuminated 2 Position Selector Switch Standard	Ø 19	1C	-	90°	-	T19-411P	
			2C	-	-	-	T19-412P	
	Non-Illuminated 3 Position Selector Switch Standard	Ø 19	2C	-	45° 45°	-	T19-512P	
	Illuminated 2 Position Selector Switch Standard	Ø 19	1C	Red	90°	24VDC(D4) 220VAC(A2)	T19-471PR	
				Green			T19-471PG	
				Yellow			T19-471PY	
				Blue			T19-471PB	
				White			T19-471PW	
				2C	Red	90°	24VDC(D4) 220VAC(A2)	T19-472PR
					Green			T19-472PG
					Yellow			T19-472PY
					Blue			T19-472PB
					White			T19-472PW
	Illuminated 3 Position Selector Switch Standard	Ø 19	2C	Red	45° 45°	24VDC(D4) 220VAC(A2)	T19-572PR	
				Green			T19-572PG	
				Yellow			T19-572PY	
				Blue			T19-572PB	
				White			T19-572PW	

Control Switch

T Series - Ø 22

2-1
Part

Products Selection

	Operator Type	Ø	Contact Form	LED Color	Operator Function	Rated Voltage	Part Number
	2 Position Key Switch Standard	Ø 19	1C	-		-	T19-611P
			2C	-		-	T19-612P
	3 Position Key Switch Standard	Ø 19	2C	-		-	T19-712P
	Emergency Stop Switch Standard	Ø 19	1C	Red	-	-	T19-811P
			2C	Red	-	-	T19-812P
	Emergency Stop Switch Dome Standard	Ø 19	1C	Red	-	-	T19-811AP
			2C	Red	-	-	T19-812AP
	Illuminated LED Buzzer Standard	Ø 19	-	Red	-	24VDC(D4)	T19-CZCLR
	Power Marking Illuminated LED Momentary Push Button Flush head Switch Standard	Ø 19	1C	Red	-	24VDC(D4) 220VAC(A2)	T19-271PPR
				Green	-	T19-271PPG	
	Ø 19	2C	Red	-	24VDC(D4) 220VAC(A2)	T19-272PPR	
			Green	-	T19-272PPG		
	Power Marking Illuminated LED Maintained Push Button Flush head Switch Standard	Ø 19	1C	Red	-	24VDC(D4) 220VAC(A2)	T19-371PPR
				Green	-	T19-371PPG	
	Ø 19	2C	Red	-	24VDC(D4) 220VAC(A2)	T19-372PPR	
			Green	-	T19-372PPG		

Ø 16

Ø 19

Ø 22

Ø 25

Ø 30

Dimension

Caution

Rev. 2/14

Data subject may change without notice.

www.kacon.co.kr

Industrial Controls Catalog








II - I - 11

KACON






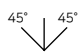
Control Switch

T Series - Ø 22

Products Selection

	Operator Type	Ø	Contact Form	LED Color	Rated Voltage	Part Number
	Illuminated LED Pilot Light Flush head Switch Standard	Ø 22	-	Red	6VDC(D06) 12VDC(D12) 24VDC(D4) 220VAC(A2)	T22-170PR
				Green		T22-170PG
				Yellow		T22-170PY
				Blue		T22-170PB
				White		T22-170PW
	Non-Illuminated Momentary Push Button Flush head Switch Standard	Ø 22	1N/O + 1N/C	-	-	T22-211P
			2C	-	-	T22-212P
	Non-Illuminated Maintained Push Button Flush head Switch Standard	Ø 22	1N/O + 1N/C	-	-	T22-311P
			2C	-	-	T22-312P
	Non-Illuminated Momentary Push Button Extended head Switch Standard	Ø 22	1N/O + 1N/C	-	-	T22-211HP
			2C	-	-	T22-212HP
	Non-Illuminated Maintained Push Button Extended head Switch Standard	Ø 22	1N/O + 1N/C	-	-	T22-311HP
			2C	-	-	T22-312HP
	Illuminated LED Momentary Push Button Flush head Switch Standard	Ø 22	1N/O + 1N/C	Red	6VDC(D06) 12VDC(D12) 24VDC(D4) 220VAC(A2)	T22-271PR
				Green		T22-271PG
				Yellow		T22-271PY
				Blue		T22-271PB
				White		T22-271PW
	Illuminated LED Maintained Push Button Extended head Switch Standard	Ø 22	2C	Red	6VDC(D06) 12VDC(D12) 24VDC(D4) 220VAC(A2)	T22-272PR
				Green		T22-272PG
				Yellow		T22-272PY
				Blue		T22-272PB
				White		T22-272PW

Products Selection

	Operator Type	Ø	Contact Form	LED Color	Operator Function	Rated Voltage	Part Number	
	Illuminated LED Maintained Push Button Flush head Switch Standard	Ø 22	1N/O + 1N/C	Red	-	6VDC(D06) 12VDC(D12) 24VDC(D4) 220VAC(A2)	T22-371PR	
				Green			T22-371PG	
				Yellow			T22-371PY	
				Blue			T22-371PB	
				White			T22-371PW	
				2C	Red	-	6VDC(D06) 12VDC(D12) 24VDC(D4) 220VAC(A2)	T22-372PR
					Green			T22-372PG
					Yellow			T22-372PY
					Blue			T22-372PB
					White			T22-372PW
	Illuminated LED Momentary Push Button Extended head Switch Standard	Ø 22	1N/O + 1N/C	Red	-	24VDC(D4) 220VAC(A2)	T22-271HCPR	
				Green			T22-271HCPG	
				Yellow			T22-271HCPY	
				Blue			T22-271HCPB	
				White			T22-271HCPW	
				2C	Red	-	24VDC(D4) 220VAC(A2)	T22-272HCPR
					Green			T22-272HCPG
					Yellow			T22-272HCPY
					Blue			T22-272HCPB
					White			T22-272HCPW
	Illuminated LED Maintained Push Button Extended head Switch Standard	Ø 22	1N/O + 1N/C	Red	-	24VDC(D4) 220VAC(A2)	T22-371HCPR	
				Green			T22-371HCPG	
				Yellow			T22-371HCPY	
				Blue			T22-371HCPB	
				White			T22-371HCPW	
				2C	Red	-	24VDC(D4) 220VAC(A2)	T22-372HCPR
					Green			T22-372HCPG
					Yellow			T22-372HCPY
					Blue			T22-372HCPB
					White			T22-372HCPW
	Illuminated 2 Position Selector Switch Standard	Ø 22	1N/O + 1N/C	-		-	T22-411P	
			2C				T22-412P	
	Non-Illuminated 3 Position Selector Switch Standard	Ø 22	2C	-		-	T22-512P	

Ø 16

Ø 19

Ø 22

Ø 25

Ø 30

Dimension

Caution



Control Switch

T Series - Ø 22

Products Selection

	Operator Type	Ø	Contact Form	LED Color	Operator Function	Rated Voltage	Part Number	
	Illuminated 2 Position Selector Switch Standard	Ø 22	1N/O + 1N/C	Red		24VDC(D4) 220VAC(A2)	T22-471PR	
				Green			T22-471PG	
				Yellow			T22-471PY	
				Blue			T22-471PB	
				White			T22-471PW	
	Illuminated 3 Position Selector Switch Standard	Ø 22	2C	Red		24VDC(D4) 220VAC(A2)	T22-472PR	
				Green			T22-472PG	
				Yellow			T22-472PY	
				Blue			T22-472PB	
				White			T22-472PW	
	2 Position Key Switch Standard	Ø 22	1N/O + 1N/C	-		-	T22-611P	
			2C	-		-	T22-612P	
	3 Position Key Switch Standard	Ø 22	2C	-		-	T22-712P	
		Emergency Stop Switch Standard	Ø 22	1N/O + 1N/C	Red	-	-	T22-811P
				2C	Red	-	-	T22-812P
		Illuminated LED Buzzer Standard	Ø 22	-	Red	-	24VDC(D4)	T22-CZLR

Products Selection

	Operator Type	Ø	Contact Form	LED Color	Operator Function	Rated Voltage	Part Number
	Power Marking Illuminated LED Momentary Push Button Flush head Switch Standard	Ø 22	1N/O + 1N/C	Red	-	24VDC(D4) 220VAC(A2)	T22-271PPR
				Green	-	24VDC(D4) 220VAC(A2)	T22-271PPG
			2C	Red	-	24VDC(D4) 220VAC(A2)	T22-272PPR
				Green	-	24VDC(D4) 220VAC(A2)	T22-272PPG
	Power Marking Illuminated LED Momentary Push Button Flush head Switch Standard	Ø 22	1N/O + 1N/C	Red	-	24VDC(D4) 220VAC(A2)	T22-371PPR
				Green	-	24VDC(D4) 220VAC(A2)	T22-371PPG
			2C	Red	-	24VDC(D4) 220VAC(A2)	T22-372PPR
				Green	-	24VDC(D4) 220VAC(A2)	T22-372PPG

Ø 16

Ø 19

Ø 22

Ø 25

Ø 30



Dimension

Caution



Control Switch

T Series - Ø 25

Products Selection

	Operator Type	Ø	Contact Form	LED Color	Rated Voltage	Part Number		
	Illuminated LED Pilot Light Flush head Switch Standard	Ø 25	-	Red	6VDC(D06) 12VDC(D12) 24VDC(D4) 220VAC(A2)	T25-170PR		
				Green		T25-170PG		
				Yellow		T25-170PY		
				Blue		T25-170PB		
				White		T25-170PW		
	Non-Illuminated Momentary Push Button Flush head Switch Standard	Ø 25	1N/O + 1N/C	-	-	T25-211P		
			2N/O + 2N/C	-	-	T25-212P		
			Non-Illuminated Maintained Push Button Flush head Switch Standard	Ø 25	1N/O + 1N/C	-	-	T25-311P
					2N/O + 2N/C	-	-	T25-312P
	Non-Illuminated Momentary Push Button Extended head Switch Standard	Ø 25	1N/O + 1N/C	-	-	T25-211HP		
			2N/O + 2N/C	-	-	T25-212HP		
			Non-Illuminated Maintained Push Button Extended head Switch Standard	Ø 25	1N/O + 1N/C	-	-	T25-311HP
					2N/O + 2N/C	-	-	T25-312HP

Products Selection

	Operator Type	Ø	Contact Form	LED Color	Rated Voltage	Part Number	
	Illuminated LED Momentary Push Button Flush head Switch Standard	Ø 25	1N/O + 1N/C	Red	6VDC(D06) 12VDC(D12) 24VDC(D4) 220VAC(A2)	T25-271PR	
				Green		T25-271PG	
				Yellow		T25-271PY	
				Blue		T25-271PB	
				White		T25-271PW	
				2N/O + 2N/C	Red	6VDC(D06) 12VDC(D12) 24VDC(D4) 220VAC(A2)	T25-272PR
					Green		T25-272PG
					Yellow		T25-272PY
					Blue		T25-272PB
					White		T25-272PW
	Illuminated LED Maintained Push Button Flush head Switch Standard	Ø 25	1N/O + 1N/C	Red	6VDC(D06) 12VDC(D12) 24VDC(D4) 220VAC(A2)	T25-371PR	
				Green		T25-371PG	
				Yellow		T25-371PY	
				Blue		T25-371PB	
				White		T25-371PW	
				2N/O + 2N/C	Red	6VDC(D06) 12VDC(D12) 24VDC(D4) 220VAC(A2)	T25-372PR
					Green		T25-372PG
					Yellow		T25-372PY
					Blue		T25-372PB
					White		T25-372PW

Ø 16

Ø 19

Ø 22

Ø 25

Ø 30

Dimension

Caution

Control Switch

T Series - Ø 30

Products Selection

	Operator Type	Ø	Contact Form	LED Color	Rated Voltage	Part Number		
	Illuminated LED Pilot Light Flush head Switch Standard	Ø 30	-	Red	6VDC(D06) 12VDC(D12) 24VDC(D4) 220VAC(A2)	T30-170PR		
				Green		T30-170PG		
				Yellow		T30-170PY		
				Blue		T30-170PB		
				White		T30-170PW		
	Non-Illuminated Momentary Push Button Flush head Switch Standard	Ø 30	1N/O + 1N/C	-	-	T30-211P		
			2N/O + 2N/C	-	-	T30-212P		
			Non-Illuminated Maintained Push Button Flush head Switch Standard	Ø 30	1N/O + 1N/C	-	-	T30-311P
					2N/O + 2N/C	-	-	T30-312P
	Non-Illuminated Momentary Push Button Extended head Switch Standard	Ø 30	1N/O + 1N/C	-	-	T30-211HP		
			2N/O + 2N/C	-	-	T30-212HP		
			Non-Illuminated Maintained Push Button Extended head Switch Standard	Ø 30	1N/O + 1N/C	-	-	T30-311HP
					2N/O + 2N/C	-	-	T30-312HP

Products Selection

	Operator Type	Ø	Contact Form	LED Color	Rated Voltage	Part Number
	Illuminated LED Momentary Push Button Flush head Switch Standard	Ø 30	1N/O + 1N/C	Red	6VDC(D06) 12VDC(D12) 24VDC(D4) 220VAC(A2)	T30-271PR
				Green		T30-271PG
				Yellow		T30-271PY
				Blue		T30-271PB
				White		T30-271PW
	Illuminated LED Maintained Push Button Flush head Switch Standard	Ø 30	2N/O + 2N/C	Red	6VDC(D06) 12VDC(D12) 24VDC(D4) 220VAC(A2)	T30-272PR
				Green		T30-272PG
				Yellow		T30-272PY
				Blue		T30-272PB
				White		T30-272PW
	Illuminated LED Maintained Push Button Flush head Switch Standard	Ø 30	1N/O + 1N/C	Red	6VDC(D06) 12VDC(D12) 24VDC(D4) 220VAC(A2)	T30-371PR
				Green		T30-371PG
				Yellow		T30-371PY
				Blue		T30-371PB
				White		T30-371PW
	Illuminated LED Maintained Push Button Flush head Switch Standard	Ø 30	2N/O + 2N/C	Red	6VDC(D06) 12VDC(D12) 24VDC(D4) 220VAC(A2)	T30-372PR
				Green		T30-372PG
				Yellow		T30-372PY
				Blue		T30-372PB
				White		T30-372PW
	Illuminated LED Momentary Push Button Extended head Switch Standard	Ø 30	1N/O + 1N/C	Red	24VDC(D4) 220VAC(A2)	T30-271HCPR
				Green		T30-271HCPG
				Yellow		T30-271HCPY
				Blue		T30-271HCPB
				White		T30-271HCPW
	Illuminated LED Momentary Push Button Extended head Switch Standard	Ø 30	2N/O + 2N/C	Red	24VDC(D4) 220VAC(A2)	T30-272HCPR
				Green		T30-272HCPG
				Yellow		T30-272HCPY
				Blue		T30-272HCPB
				White		T30-272HCPW
	Illuminated LED Maintained Push Button Extended head Switch Standard	Ø 30	1N/O + 1N/C	Red	24VDC(D4) 220VAC(A2)	T30-371HCPR
				Green		T30-371HCPG
				Yellow		T30-371HCPY
				Blue		T30-371HCPB
				White		T30-371HCPW
	Illuminated LED Maintained Push Button Extended head Switch Standard	Ø 30	2N/O + 2N/C	Red	24VDC(D4) 220VAC(A2)	T30-372HCPR
				Green		T30-372HCPG
				Yellow		T30-372HCPY
				Blue		T30-372HCPB
				White		T30-372HCPW

Ø 16

Ø 19

Ø 22

Ø 25

Ø 30



Dimension

Caution


Control Switch

T Series - Ø 30

Products Selection





	Operator Type	Ø	Contact Form	LED Color	Rated Voltage	Part Number
	Power Marking Illuminated LED Momentary Push Button Flush head Switch Standard	Ø 30	1N/O + 1N/C	Red	24VDC(D4) 220VAC(A2)	T30-271PPR
				Green		T30-271PPG
			2N/O + 2N/C	Red	24VDC(D4) 220VAC(A2)	T30-272PPR
				Green		T30-272PPG
	Power Marking Illuminated LED Maintained Push Button Flush head Switch Standard	Ø 30	1N/O + 1N/C	Red	24VDC(D4) 220VAC(A2)	T30-371PPR
				Green		T30-371PPG
			2N/O + 2N/C	Red	24VDC(D4) 220VAC(A2)	T30-372PPR
				Green		T30-372PPG

Accessory

Operator Type & Shape	LED Color	Part Number	T Series	Application Series(PL / PB / PBL)			
				Ø20 K Series Flush Type	Ø20 F Series Flush Type	Ø25 K25F Series Flush Type	Ø30 K30F Series Flush Type
	Clear	T16-C	✓	-	-	-	-
	Clear	T19-C	✓	-	-	-	-
	Clear	T22-C	✓	✓	✓	-	-
	Clear	T25-C	✓	-	-	✓	-
	Clear	T30-C	✓	-	-	-	✓

☞ T □ -C protective cover is applicable only to PL / PB / PBL.

Accessory

	Operator Type & Shape	Part Number	Application Switch	Wire		
	Ø 16 Connector	PL	T16-S07	T16-170		
		Non-Illuminated	1C	T16-S11	T16-211, T16-311, T16-411, T16-611	
	2C		T16-S21	T16-212, T16-312, T16-412, T16-512, T16-612, T16-712	22 AWG 150mm	
	Illuminated	1C	T16-S17	T16-271, T16-371, T16-471		
		2C	T16-S27	T16-272, T16-372, T16-472, T16-572		
		Ø 19 Connector	PL	T19-S07	T19-170	
Non-Illuminated			1C	T19-S11	T19-211, T19-311	
			1C	T19-S17	T19-271, T19-371	
Ø 19, Ø 22 Connector		Non-Illuminated	1C	T19-D11	T19-411, T19-611, T19-811	
				T19-D21	T22-411, T22-611, T22-811	
			2C	T19-D21	T19-212, T19-312, T19-412, T19-512, T19-612, T19-712, T19-812	22 AWG 150mm
		Illuminated	1C	T19-D17	T19-471	
				T19-D27	T22-471	
			2C	T19-D27	T19-272, T19-372, T19-472, T19-572	
			T22-272, T22-372, T22-472, T22-572			
	Ø 22 Connector	PL	T22-S07	T22-170		
		Non-Illuminated	1C	T22-S11	T22-211, T22-311	22 AWG 150mm
			1C	T22-S17	T22-271, T22-371	
	Ø 25, Ø 30 Connector	PL	T25-D07	T25-170		
			T25-D11	T30-170		
			T25-D21	T25-211, T25-311		
		Non-Illuminated	2C	T25-D21	T30-211, T30-311	
				T25-D21	T25-212, T25-312	22 AWG 150mm
		Illuminated	1C	T25-D17	T30-212, T30-312	
	T25-D17			T25-271, T25-371		
	2C		T25-D27	T30-271, T30-371		
				T25-272, T25-372		
			T30-272, T30-372			

Ø 16

Ø 19

Ø 22

Ø 25

Ø 30

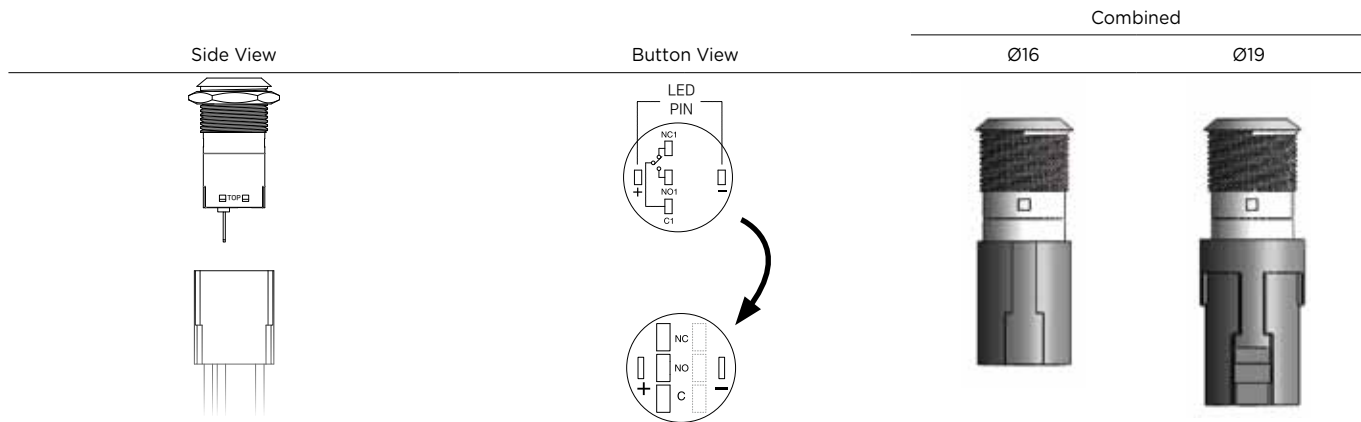
Dimension

Caution

Control Switch

T Series

Connector connection method



1. In the direction that the "TOP" marking of the switch is visible
2. Place the "+" marking on the bottom of the connector to the left and join.
3. Verify normal bonding.

※ Wire color: Black DC24(+), White GND(-), Blue COM, Green N/O, Red N/C

Connector pin assignment

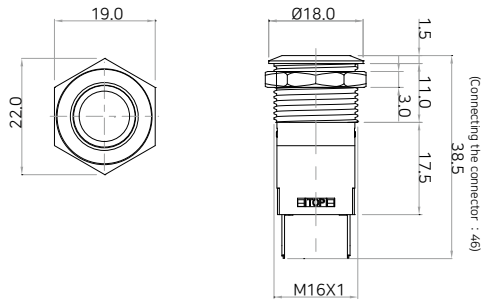
Ø	Switch	Connector				
	※ Polarity Left (+) standard	1C Illuminated	1C Non-Illuminated	2C Illuminated	2C Non-Illuminated	PL
16						
19						
22						
25, 30						

Dimension

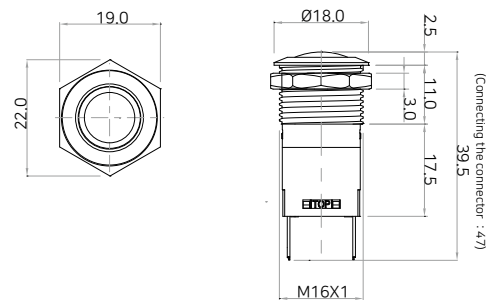
unit : mm

T16 Series - Ø16

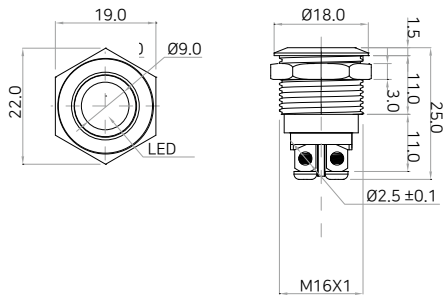
LED Pilot lamp



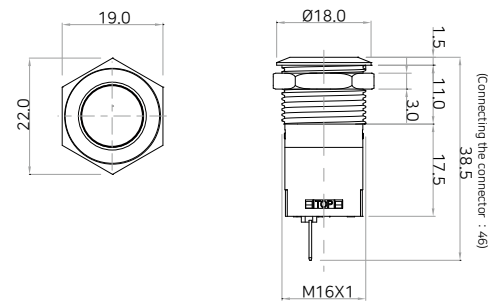
LED Pilot lamp(Dome)



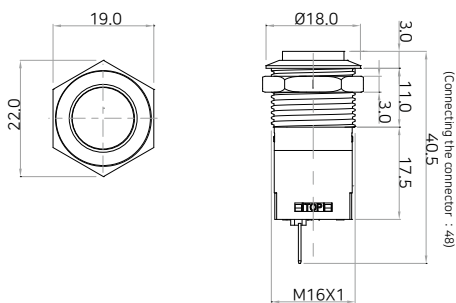
LED Pilot lamp (Lit Type , Bolt Type)



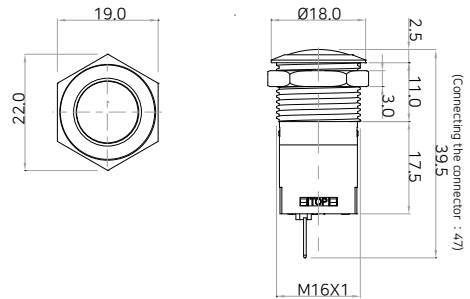
Non-Illumination Push Button Switch (Flush)



Non-Illumination Push Button Switch (Extended)



Non-Illumination Push Button Switch (Dome)



Ø16

Ø19

Ø22

Ø25

Ø30

Dimension

Caution

Control Switch

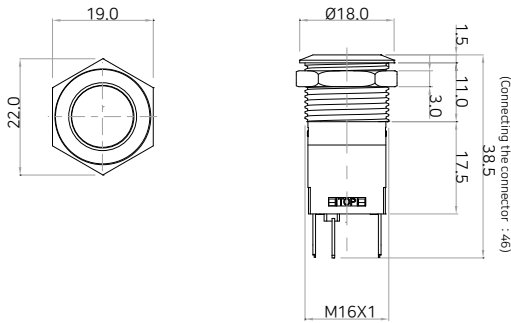
T Series

Dimension

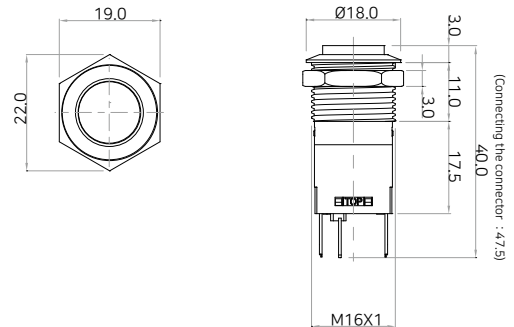
unit : mm

T16 Series - Ø16

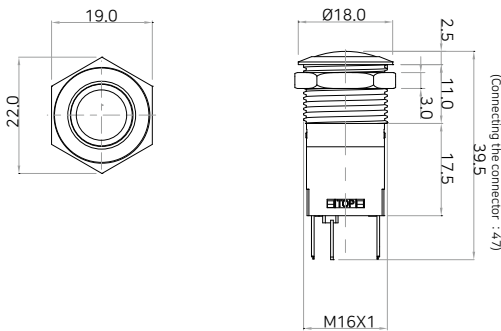
Illumination Push Button Switch (Flush)



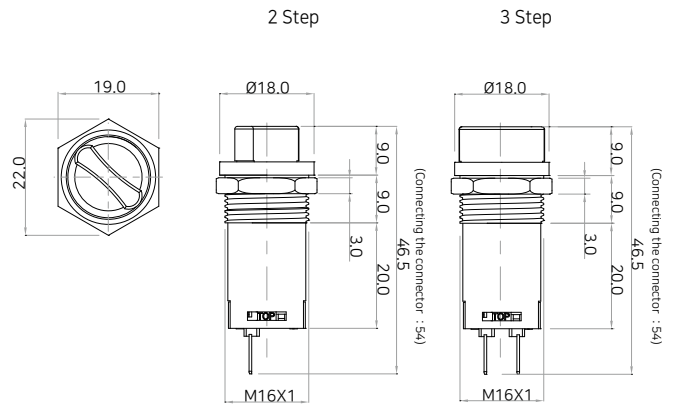
Illumination Push Button Switch (Extended)



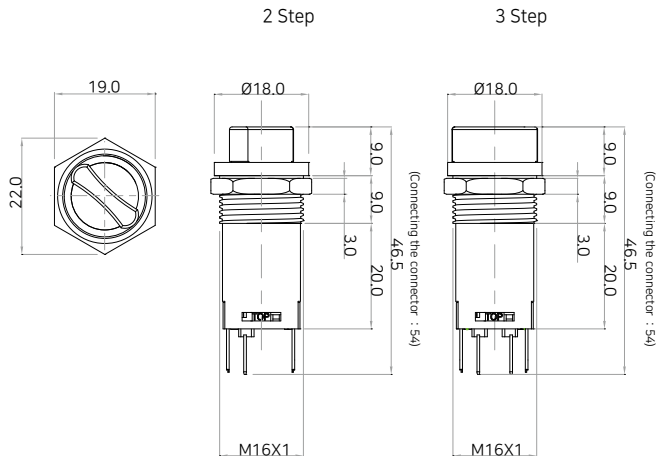
Illumination Push Button Switch (Dome)



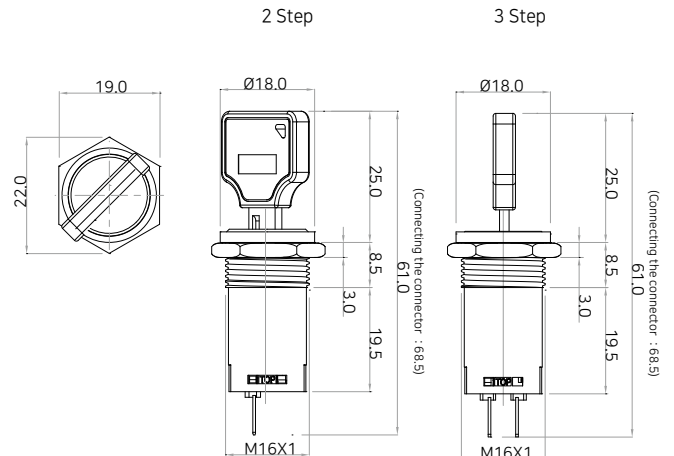
Non-Illumination Selector Switch



Illumination Selector Switch



Key Selector Switch

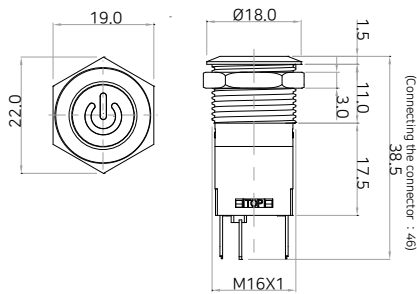


Dimension

unit : mm

T16 Series - Ø16

Power Marking Illuminated LED Push Button Switch



- Ø16
- Ø19
- Ø22
- Ø25
- Ø30

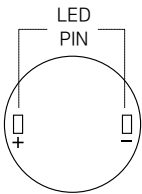
Dimension

Caution

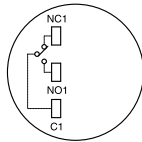
Wiring Diagram

Panel cut-out

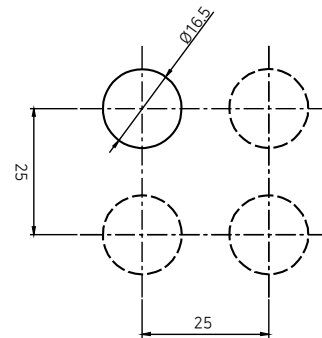
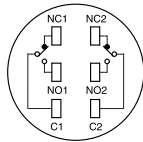
Pilot lamp



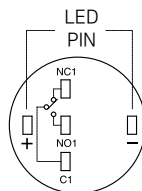
Non-Illumination
1C



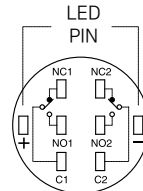
Non-Illumination
2C



Illumination
1C



Illumination
2C



Control Switch

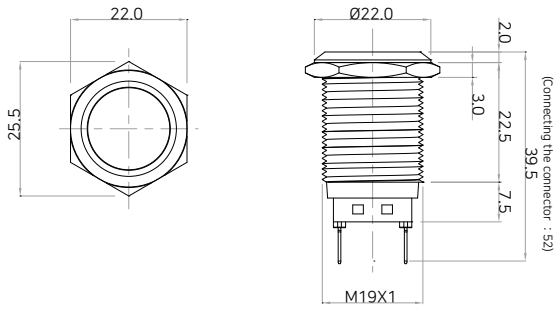
T Series

Dimension

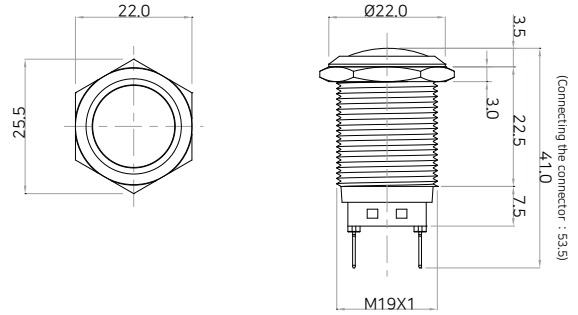
unit : mm

T19 Series- Ø19

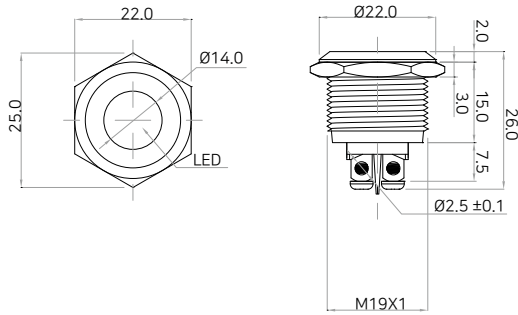
Pilot lamp (Flush)



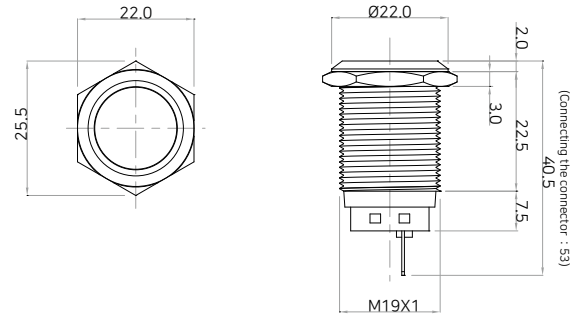
Pilot lamp (Dome)



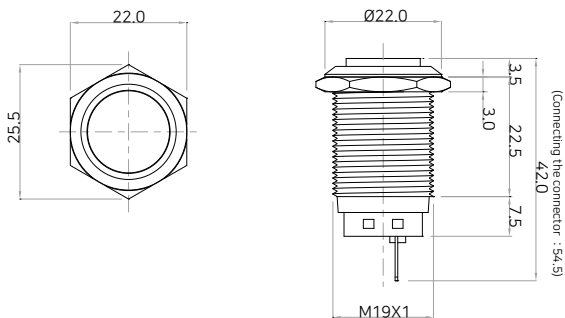
LED Pilot lamp (Lit Type , Bolt Type)



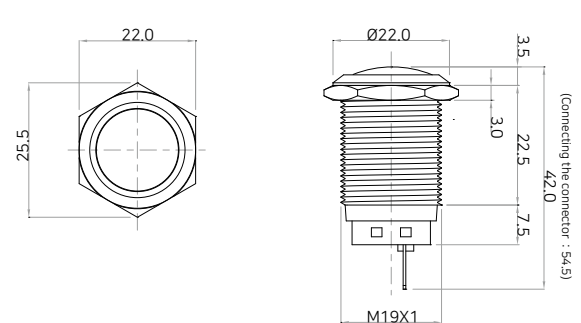
Non-Illumination Push Button Switch (Flush)



Non-Illumination Push Button Switch (Extended)



Non-Illumination Push Button Switch (Dome)

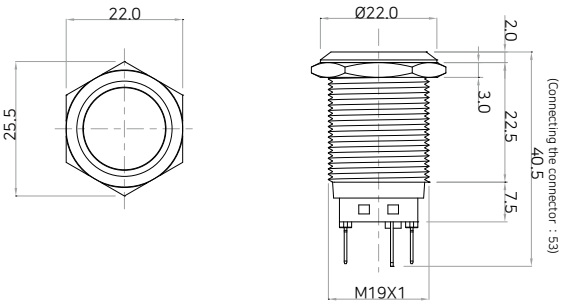


Dimension

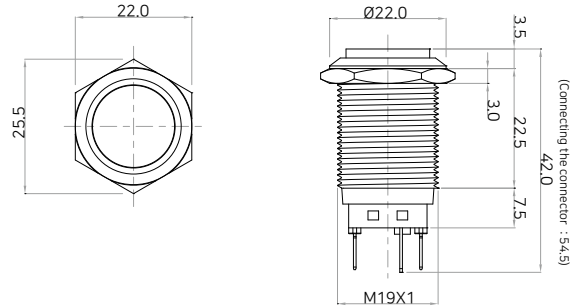
unit : mm

T19 Series- Ø19

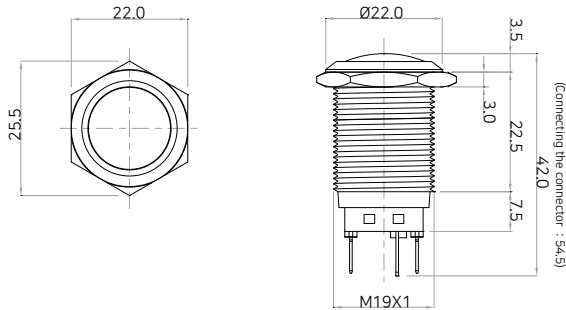
Illumination Push Button Switch (Flush)



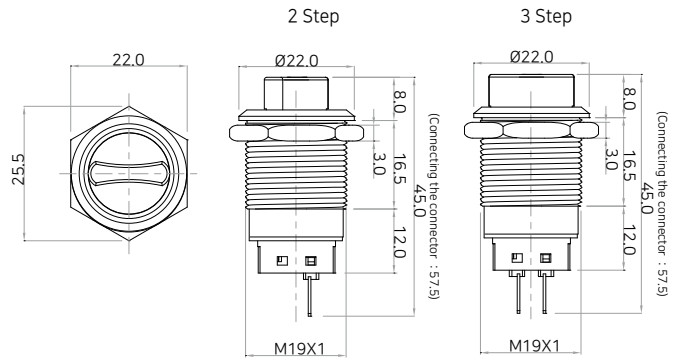
Illumination Push Button Switch (Extended)



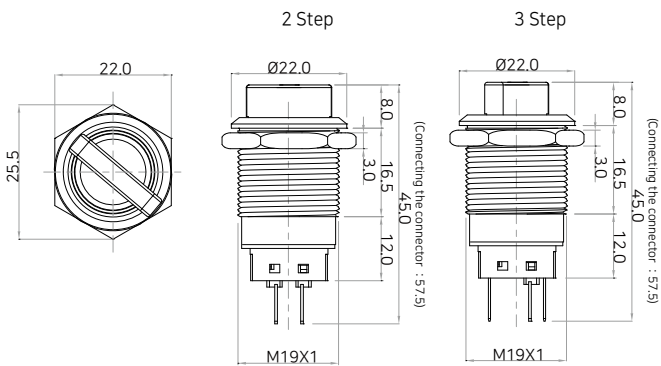
Illumination Push Button Switch (Dome)



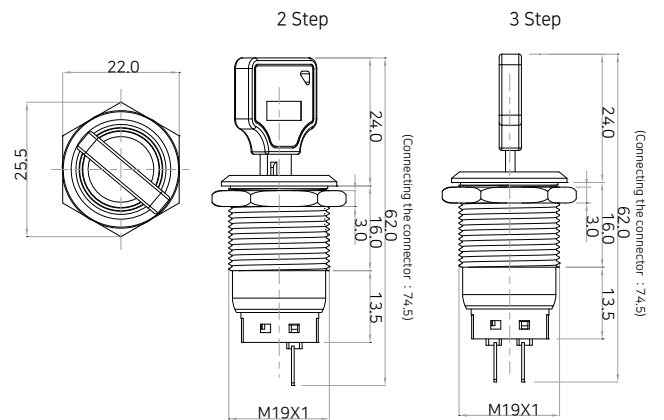
Non-Illumination Selector Switch



Illumination Selector Switch



Key Selector Switch



Ø16

Ø19

Ø22

Ø25

Ø30

Dimension

Caution

Control Switch

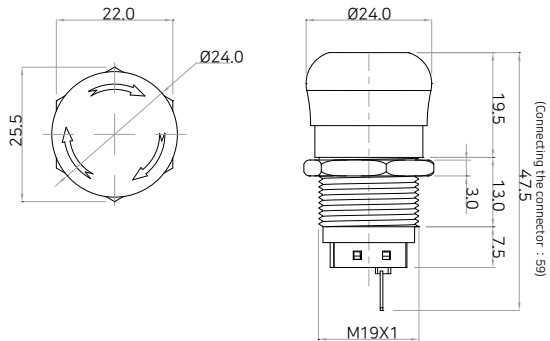
T Series

Dimension

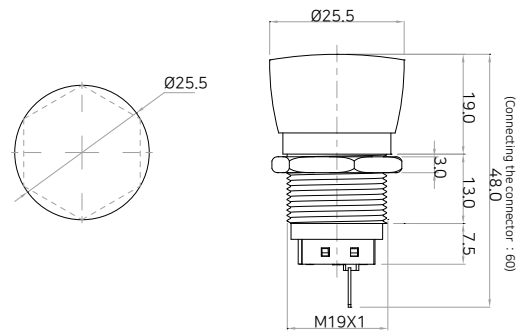
unit : mm

T19 Series- Ø19

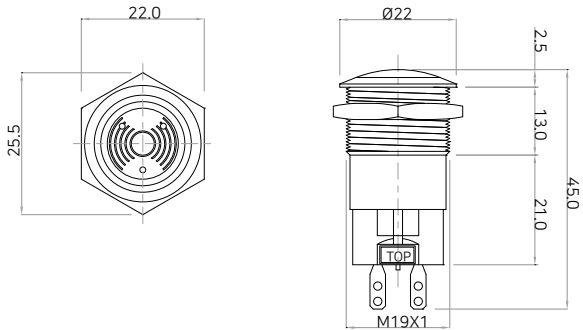
Emergency Stop



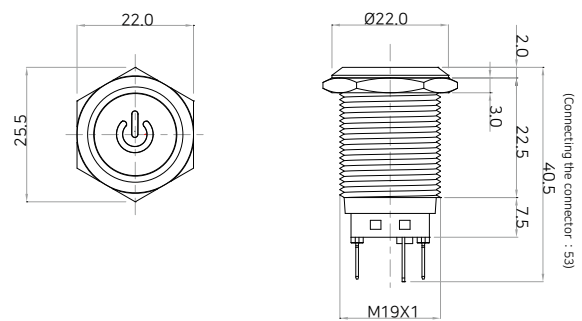
Emergency Stop (Dome)



Buzzer

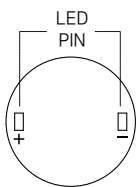


Power Marking Illuminated LED Push Button Switch

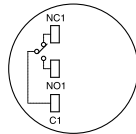


Wiring Diagram

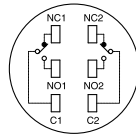
Pilot lamp



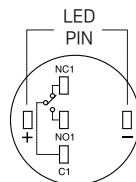
Non-Illumination 1C



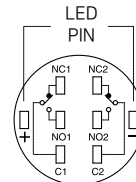
Non-Illumination 2C



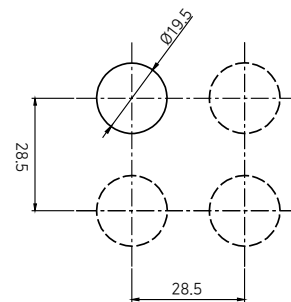
Illumination 1C



Illumination 2C



Panel cut-out



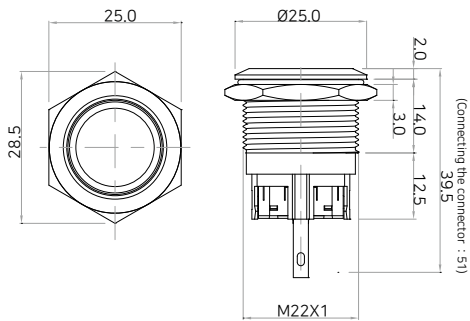
※ Emergency Switches, All Products Excepted Emergency Switches are the same

Dimension

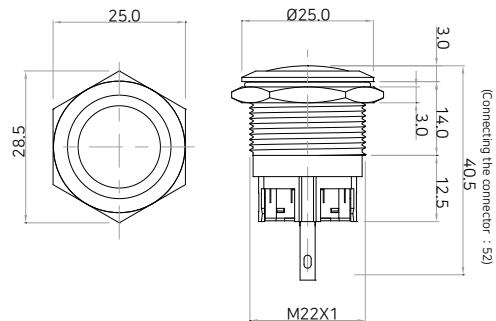
unit : mm

T22 Series- Ø22

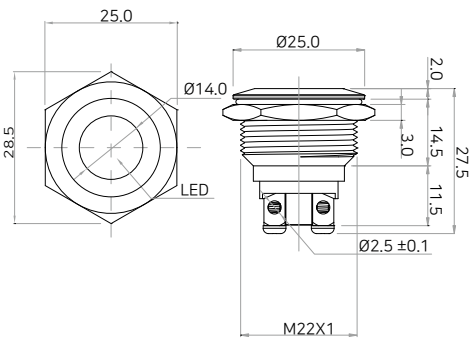
Pilot lamp (Flush)



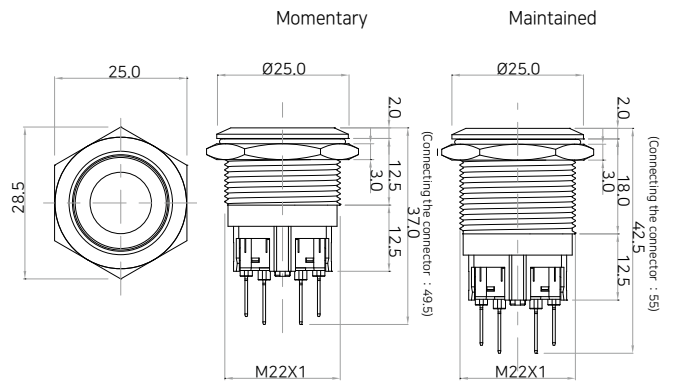
Pilot lamp (Dome)



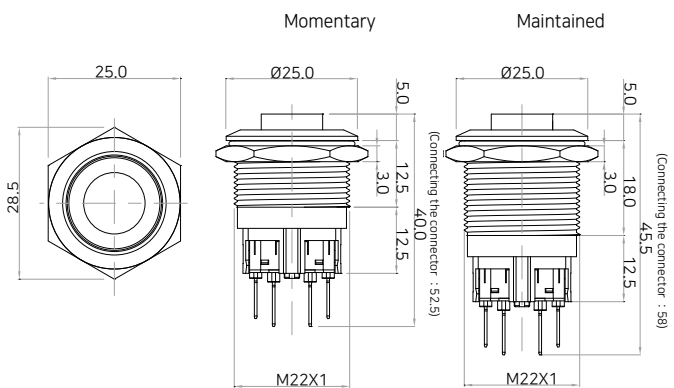
LED Pilot lamp (Lit Type , Bolt Type)



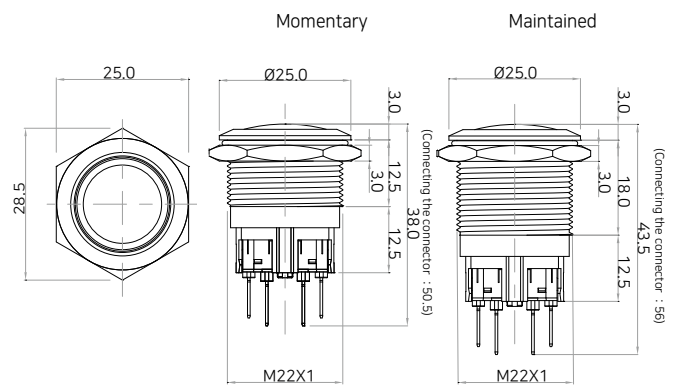
Non-Illumination Push Button Switch (Flush)



Non-Illumination Push Button Switch (Extended)



Non-Illumination Push Button Switch (Dome)



Control Switch

T Series

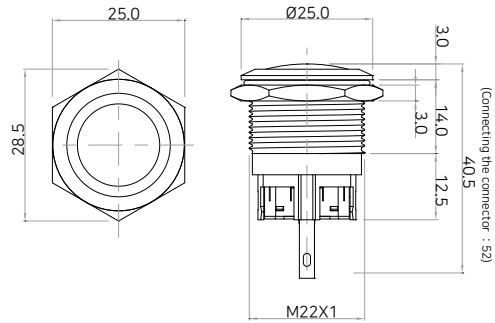
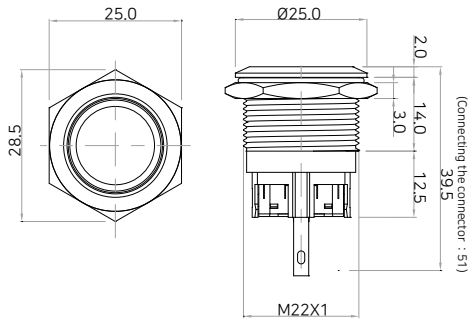
Dimension

unit : mm

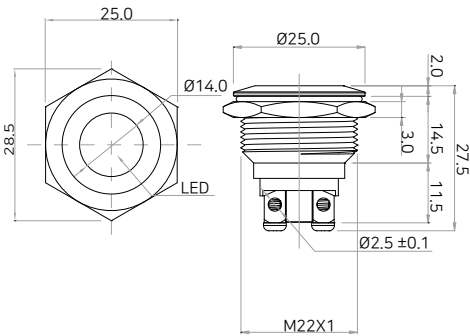
T22 Series - Ø22

LED Pilot lamp (Flush)

LED Pilot lamp (Dome)



LED Pilot lamp (Lit Type , Bolt Type)

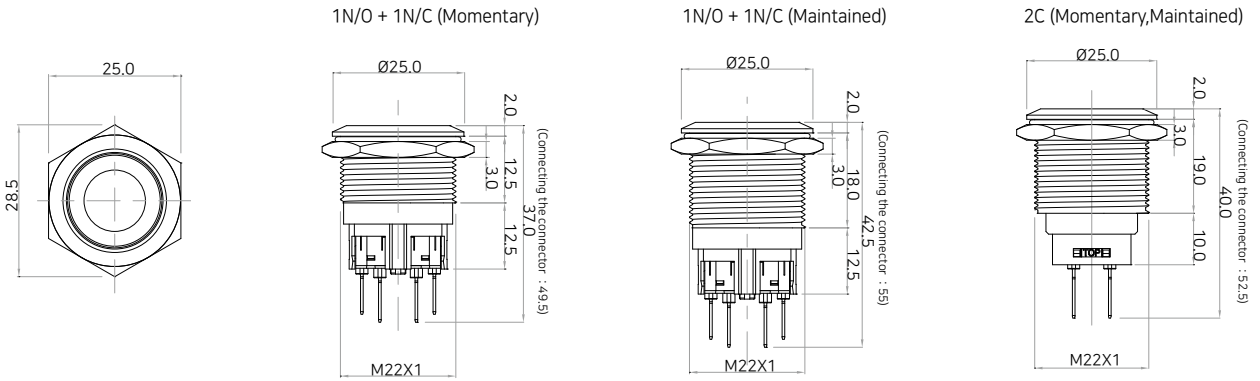


Dimension

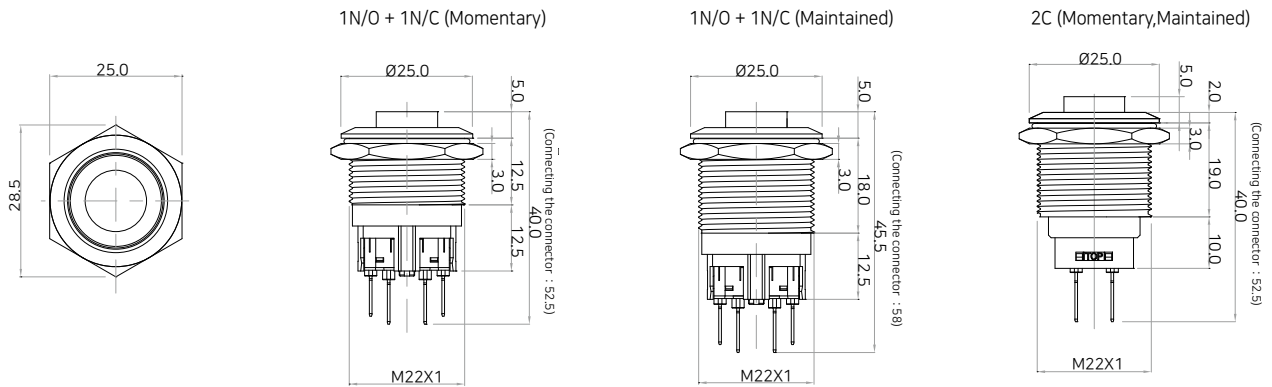
unit : mm

T22 Series - Ø22

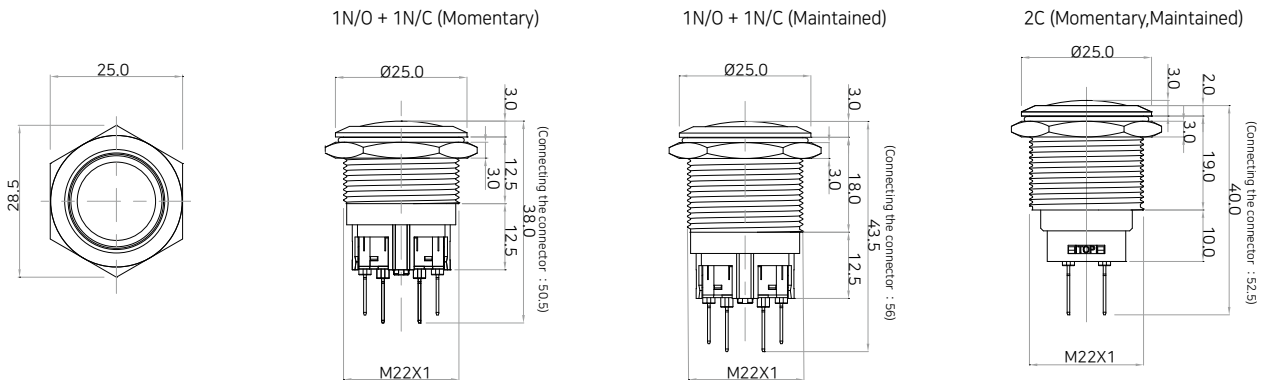
Non-Illumination Push Button Switch (Flush)



Non-Illumination Push Button Switch (Extended)



Non-Illumination Push Button Switch (Dome)



Ø16

Ø19

Ø22

Ø25

Ø30

Dimension

Caution

Control Switch

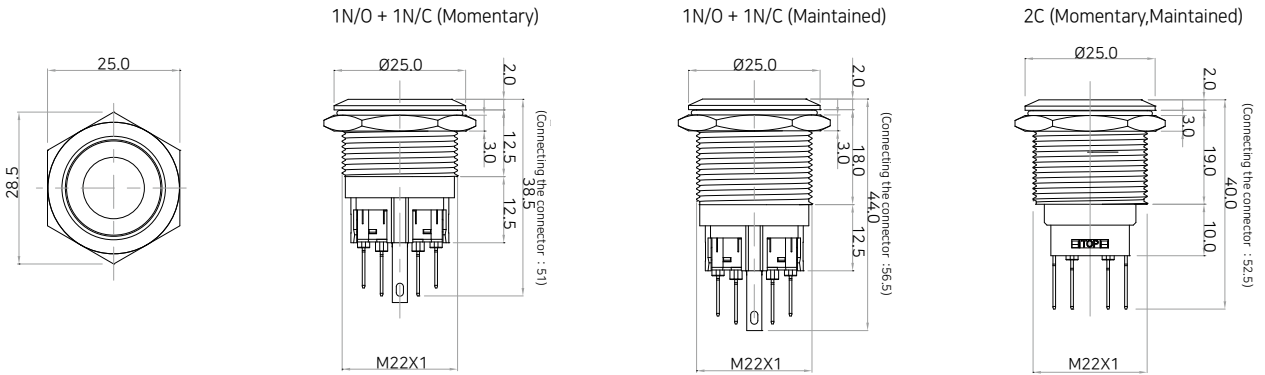
T Series

Dimension

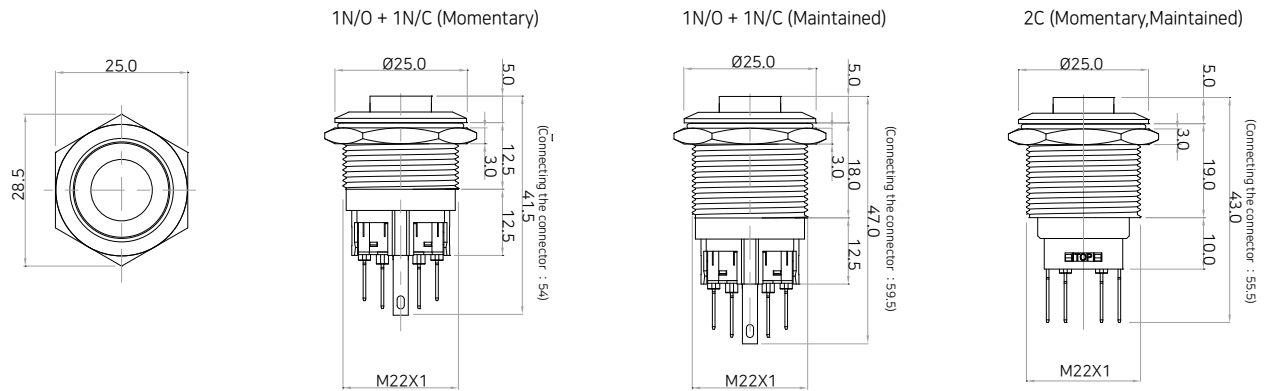
unit : mm

T22 Series - Ø22

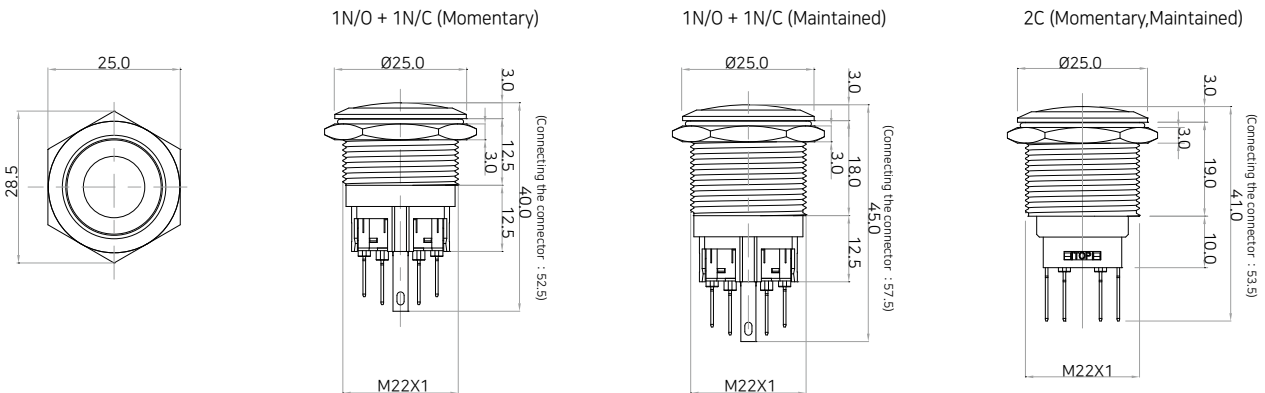
Illuminated Push Button Switch (Flush)



Illuminated Push Button Switch (Extended)



Illuminated Push Button Switch (Dome)

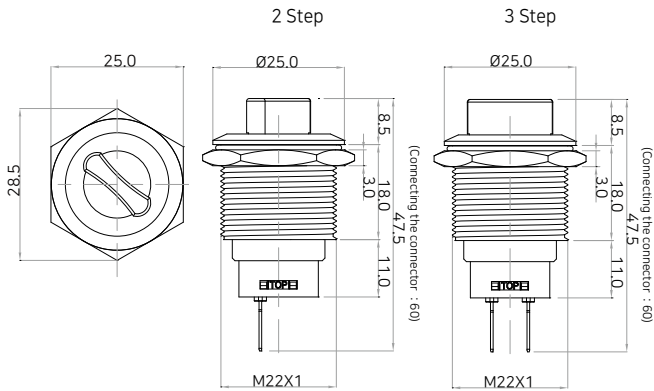


Dimension

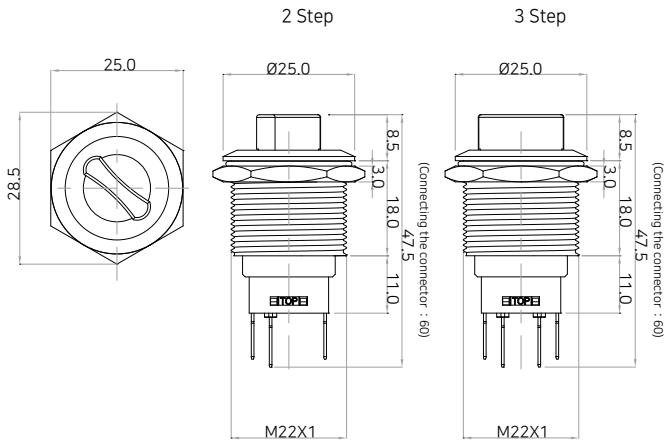
unit : mm

T22 Series - Ø22

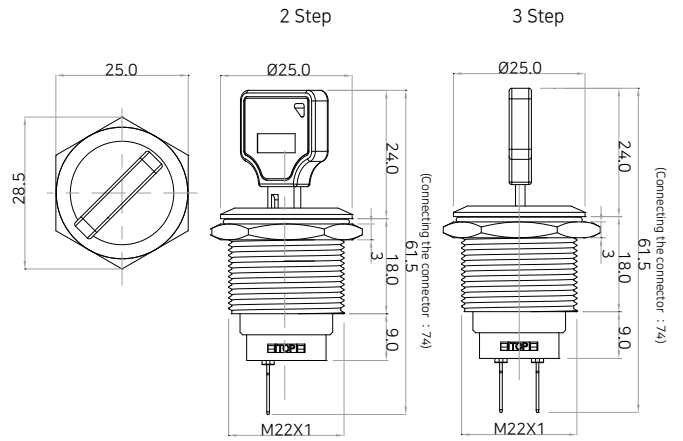
Non-Illumination Selector



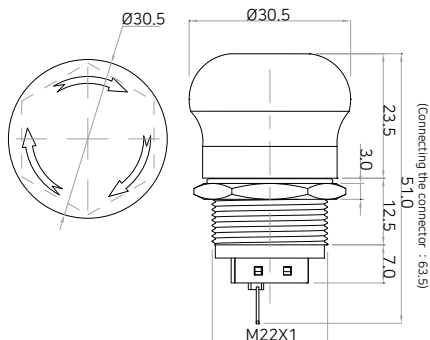
Illuminated Selector



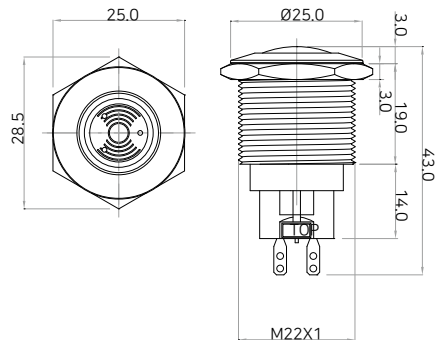
Key Selector



Emergency Stop



Buzzer



Ø16

Ø19

Ø22

Ø25

Ø30

Dimension

Caution

Control Switch

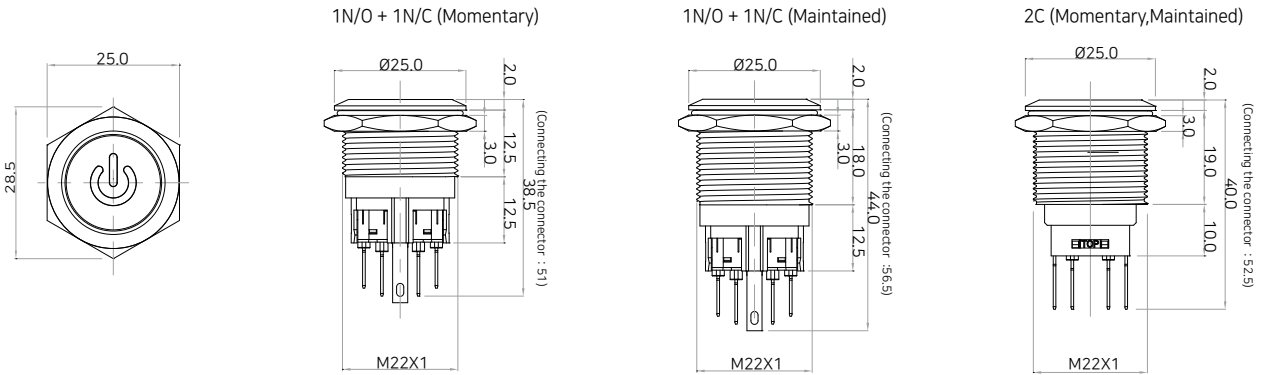
T Series

Dimension

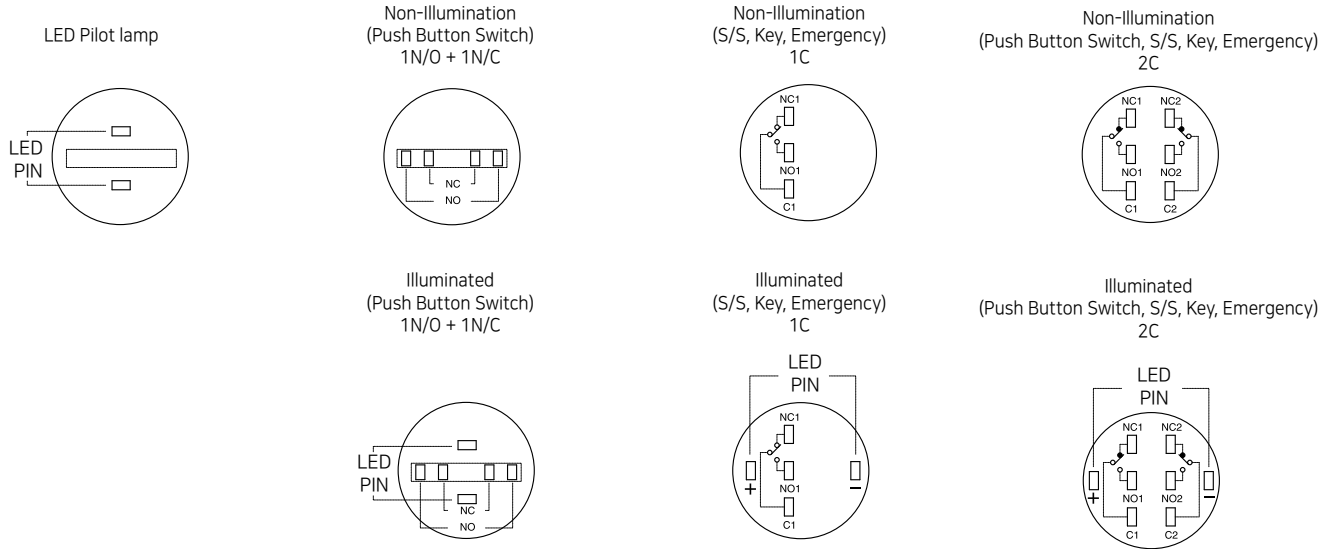
unit : mm

T22 Series - Ø22

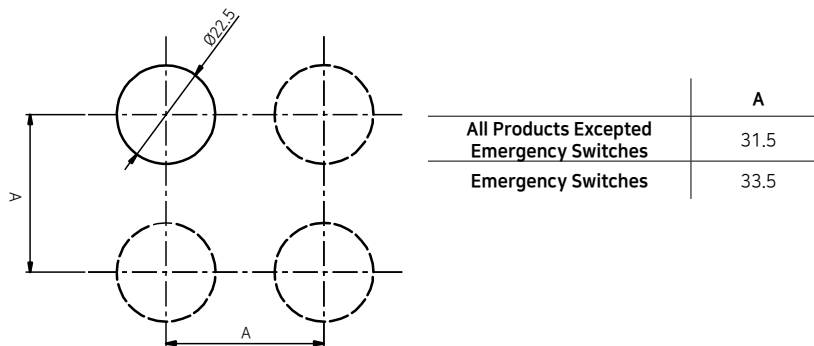
Power Marking Illuminated LED Push Button Switch



Wiring Diagram



Panel cut-out

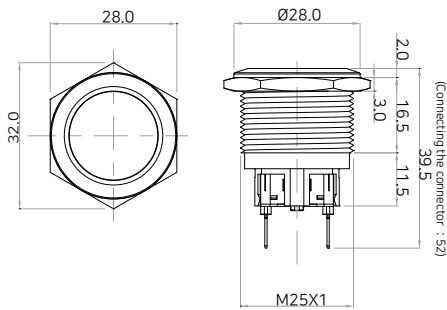


Dimension

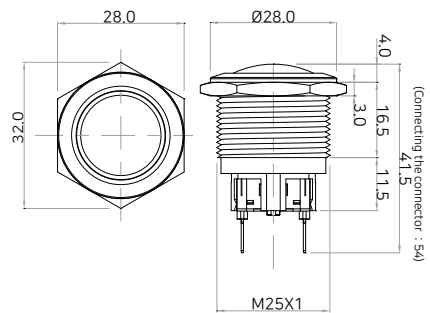
unit : mm

T25 Series- Ø25

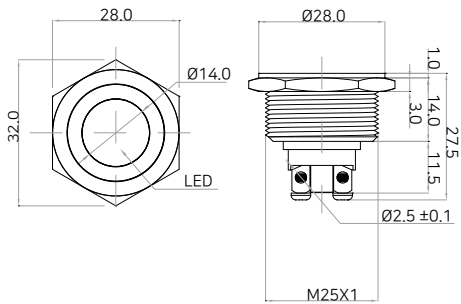
Pilot lamp (Flush)



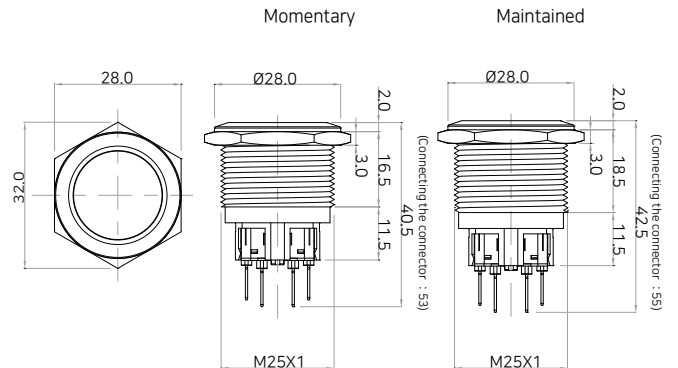
Pilot lamp (Dome)



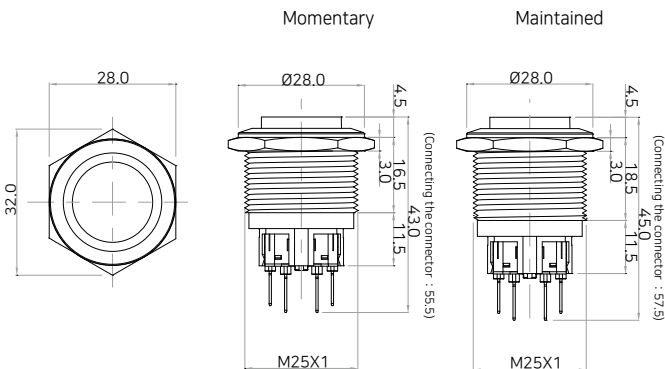
LED Pilot lamp (Lit Ttype , Bolt Type)



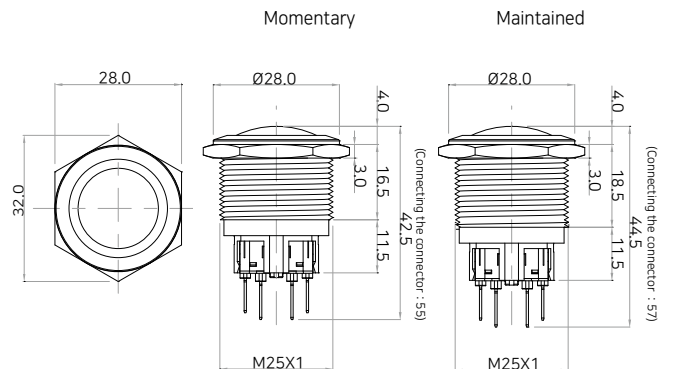
Non-Illumination Push Button Switch (Flush)



Non-Illumination Push Button Switch (Extended)



Non-Illumination Push Button Switch (Dome)



Control Switch

T Series

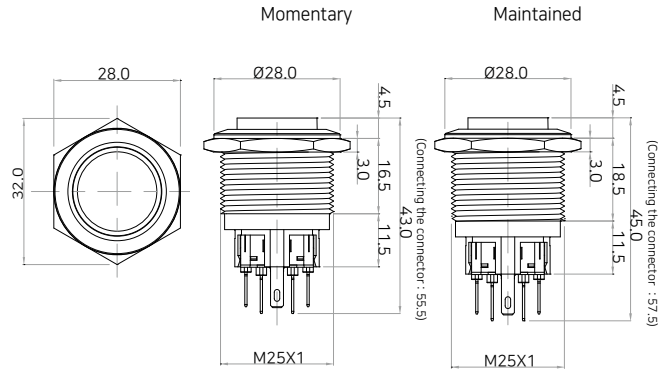
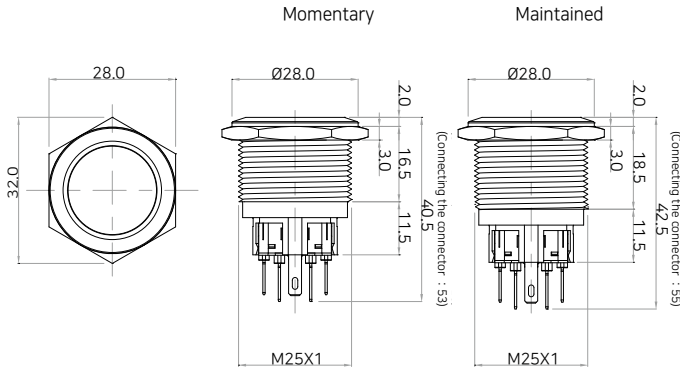
Dimension

unit : mm

T25 Series- Ø25

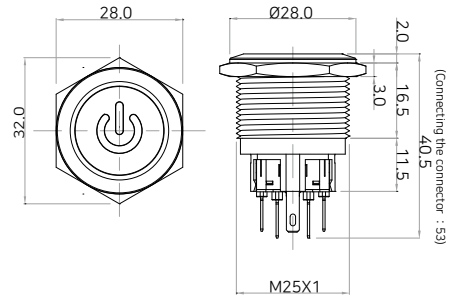
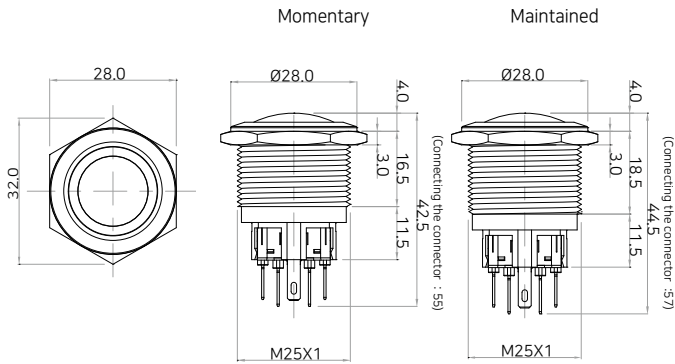
Illumination Push Button Switch (Flush)

Illumination Push Button Switch (Extended)



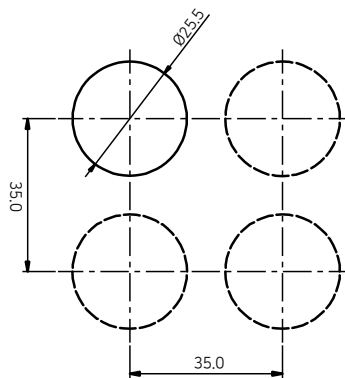
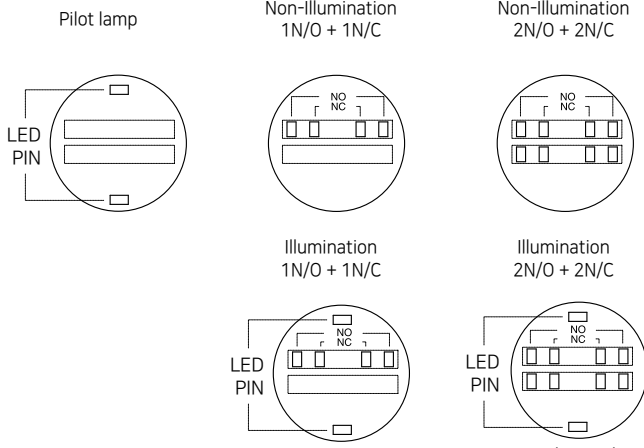
Illumination Push Button Switch (Dome)

Power Marking Illuminated LED Push Button Switch



Wiring Diagram

Panel cut-out

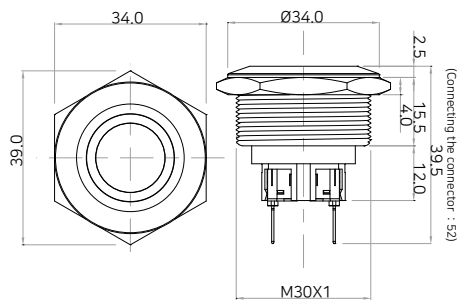


Dimension

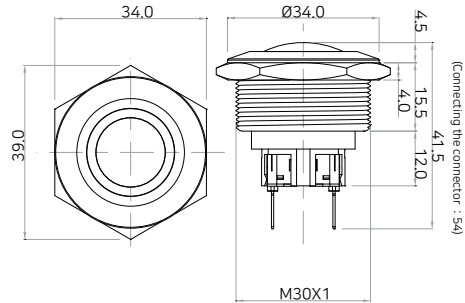
unit : mm

T30 Series- Ø30

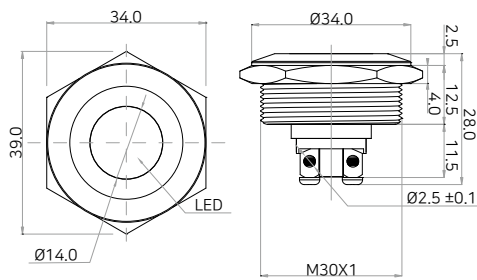
Pilot lamp (Flush)



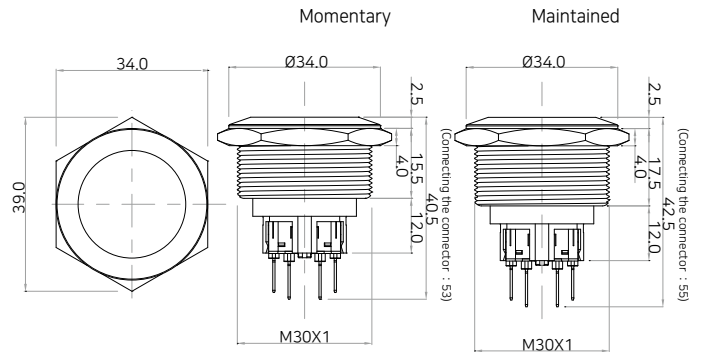
Pilot lamp (Dome)



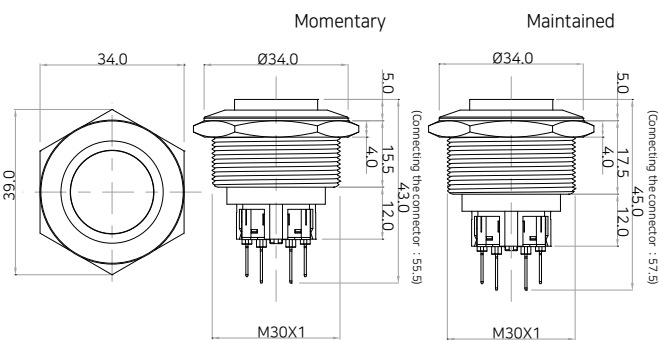
LED Pilot lamp (Lit Type , Bolt Type)



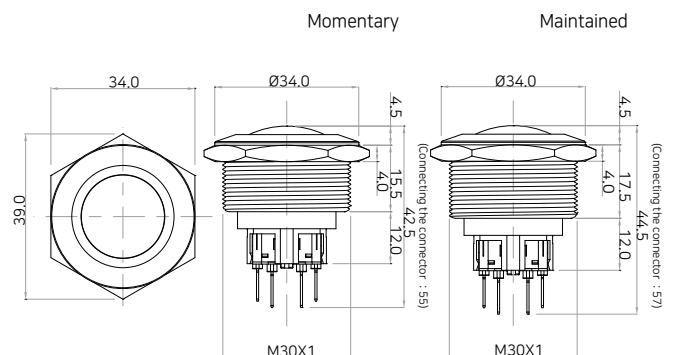
Non-Illumination Push Button Switch (Flush)



Non-Illumination Push Button Switch (Extended)



Non-Illumination Push Button Switch (Dome)



Ø16

Ø19

Ø22

Ø25

Ø30

Dimension

Caution

Control Switch

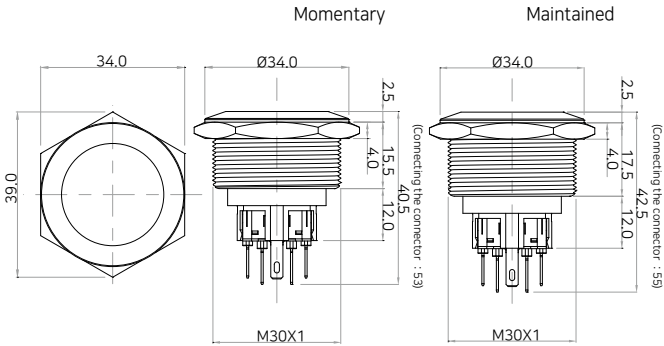
T Series

Dimension

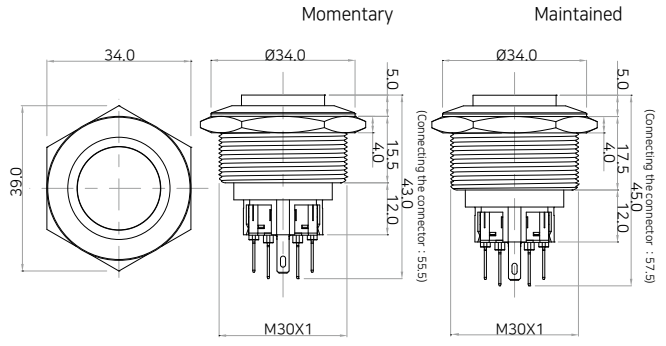
unit : mm

T30 Series- Ø30

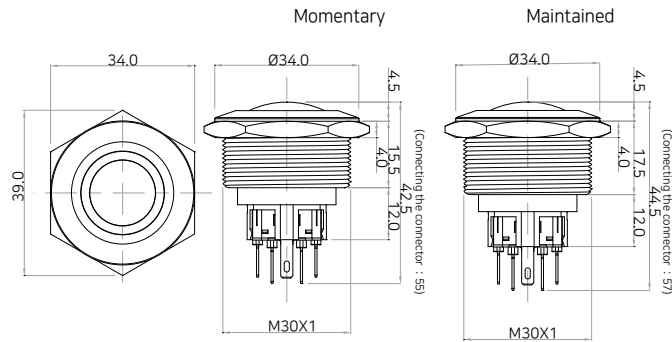
Illumination Push Button Switch (Flush)



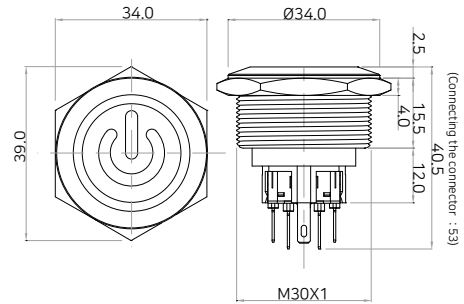
Illumination Push Button Switch (Extended)



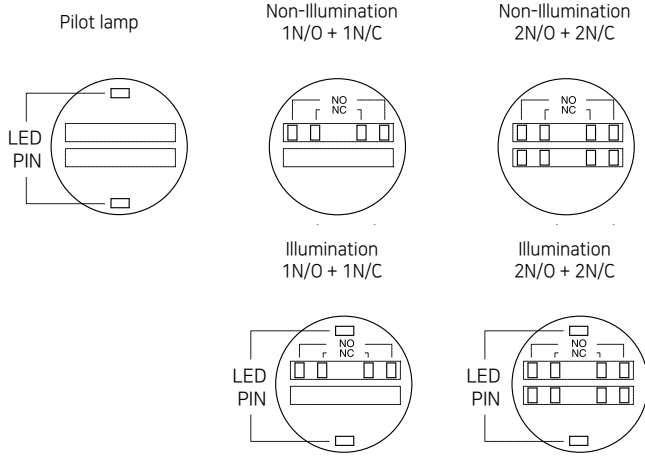
Illumination Push Button Switch (Dome)



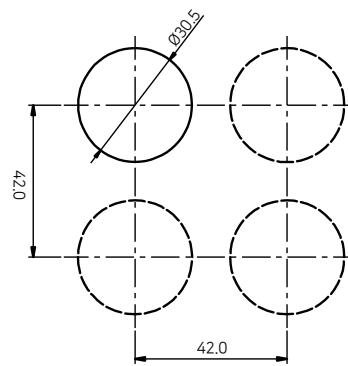
Power Marking Illuminated LED Push Button Switch



Wiring Diagram



Panel cut-out

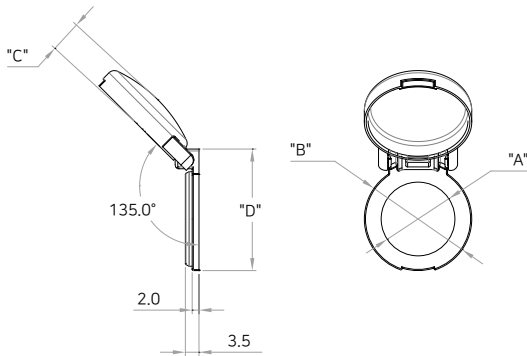


Dimension

unit : mm

Accessory

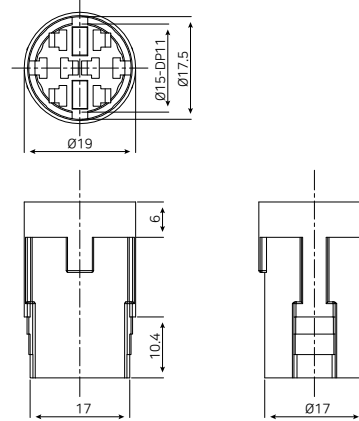
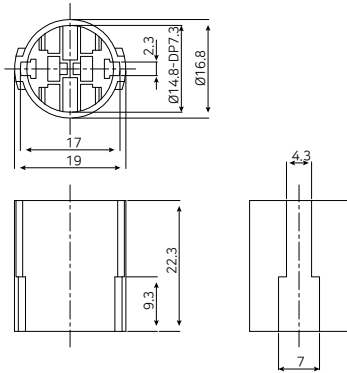
Protective cover



Model	A	B	C	D
T16-C	Ø16.5	Ø28.5	8.0	32.5
T19-C	Ø19.5	Ø28.5	8.0	32.5
T22-C	Ø22.5	Ø36.0	8.5	40.0
T25-C	Ø25.5	Ø36.0	8.5	40.0
T30-C	Ø30.5	Ø40.0	8.5	44.0

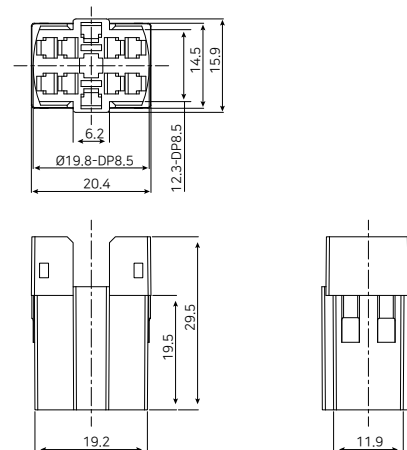
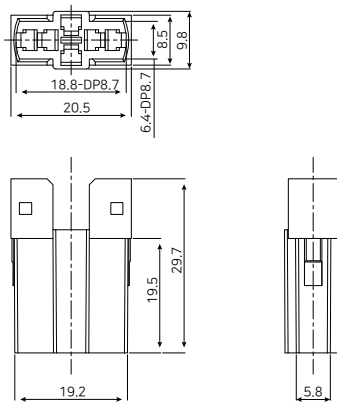
T16 Connector

T19 Connector



T22 Connector

T25 Connector

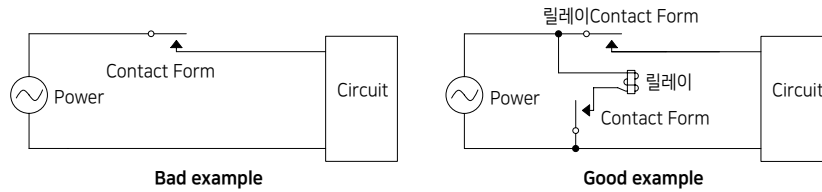


Control Switch

T Series

Caution

When using Ø16 small Control Switch as the power switch for the control unit, please follow the following instruction for longer product life span and reliability.



If you are using a DC power source which is regulated from an AC source, the ripple of the DC power source should be within 10%.
⇒ If the power source does not have a stable voltage, the life span of the LED will be considerably shortened.

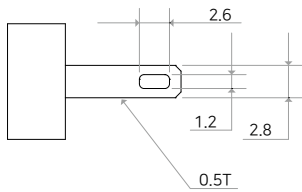
Do not use excessive force or strike the products, which could cause damages.
(Driving torque for fixing panels 0.6 ~ 1N·m or lower)

When soldering the wires, excessive heat or extensive use of soldering equipment can distort the shape of the product, which may result in damages.)

There is a built-in current limiting resistance in the product, so no more additional resistances are need to be connected.

The brightness of LED could be reduced up to 50% after rated life span.

※ The specification and the material of the products can be changed without notice for the improvement of the quality.



※ Terminal part specification (KSC 2624): Quick connect 2.8mm series (combined with soldering)