

Low height bearingless encoder

FNC 35HN Series



Features

- Bearingless version
- Robust mechanical and electrical construction
- Differential RS 422 output signals
- Shaft can mount from front or back side with setscrew
- Thin design

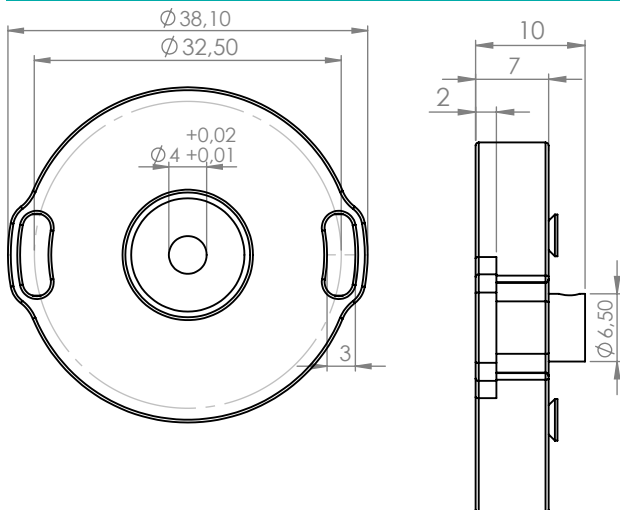
Technical data - Mechanical Ratings

Dimensions:	35 mm
Shaft Diameter:	4, 5, 6 mm
Materials:	Housing: Aluminium Cover : ABS

Cable Wiring

Function	Color	Renk	Explanation
+VB	Brown	Kahve	Supply Voltage
GND	White	Beyaz	Ground
A	Green	Yeşil	A Channel
A'	Red	Kırmızı	A Inverted Channel
B	Yellow	Sarı	B Channel
B'	Pink	Pembe	B Inverted Channel
Z	Gray	Gri	Z Channel
Z'	Blue	Mavi	Z Inverted Channel
Shield	Black	Siyah	Shield

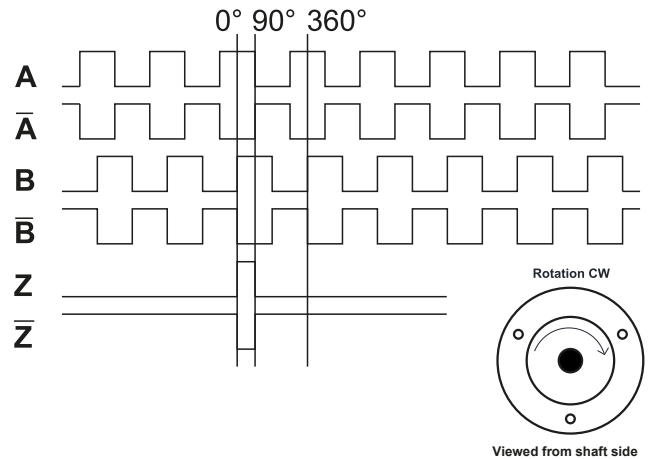
Mechanical Dimensions



Technical data - Electrical Ratings

Supply Voltage:	5V DC \pm 5%
Interface:	Line Driver RS422
Protection:	Overvoltage protection Short-circuit protection
Resolution (steps/turn):	500 to 2500
Output frequency:	up to 200 kHz
Output Signals:	90° shifted A and B, and inverted A and B

Pulse Diagram



Encoder Part Number

FNC	35	HN	5	4	5V	1000	- R1
Housing 35 : 35 mm							
Flange Type HN : Bearingless optical							
Shaft Diameter 4, 5, 6 mm							
Output Channels 1 : A 2 : AB 3 : ABZ 4 : AB + A' B' 6 : ABZ + A' B' Z'							
						Electrical Connections R1 : 1 meter cable Connector is optional	
						PPR Options 500, 512, 625, 1000, 1024 1250, 2000, 2048, 2500	
						Supply Voltage 5V : 5V in / out 30V : 5 - 30V in / out	