

Absolute encoders

Servo flange
Magnetic & optical single or multturn encoders



FNC AC 58S Bus Cover Series

CANopen



Features

- Encoder single or multturn / Bus cover
- Magnetic & optical sensing
- Singleturn resolution: 12...19 bit
- Multiturn 4...32 bit
- Permanent check of code continuity
- Extreme resistance to shock and vibration
- CANopen

Technical data-electrical ratings

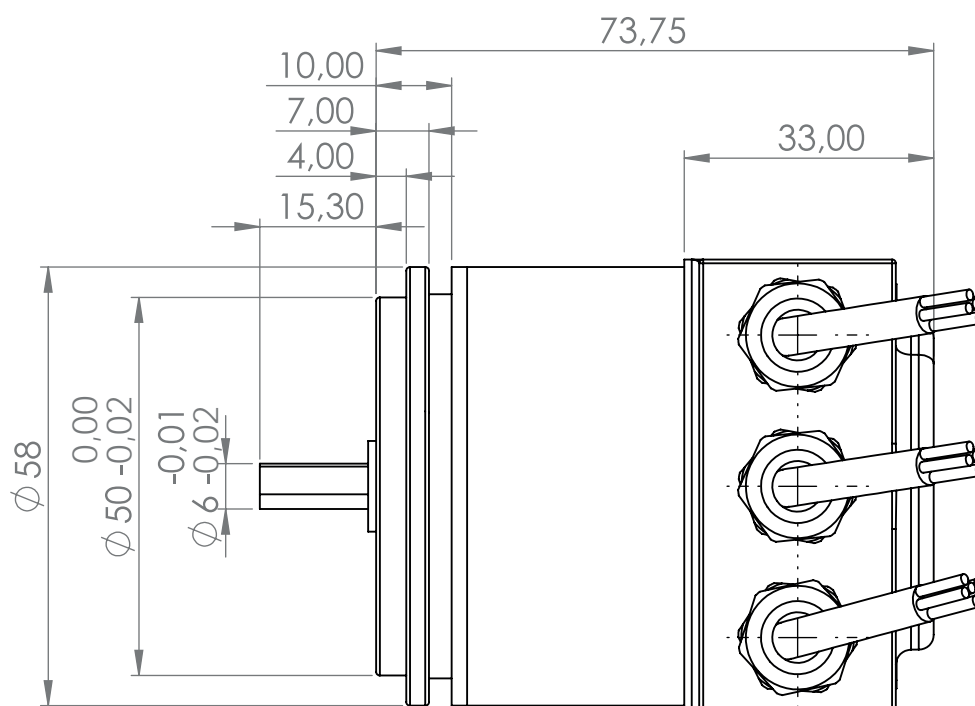
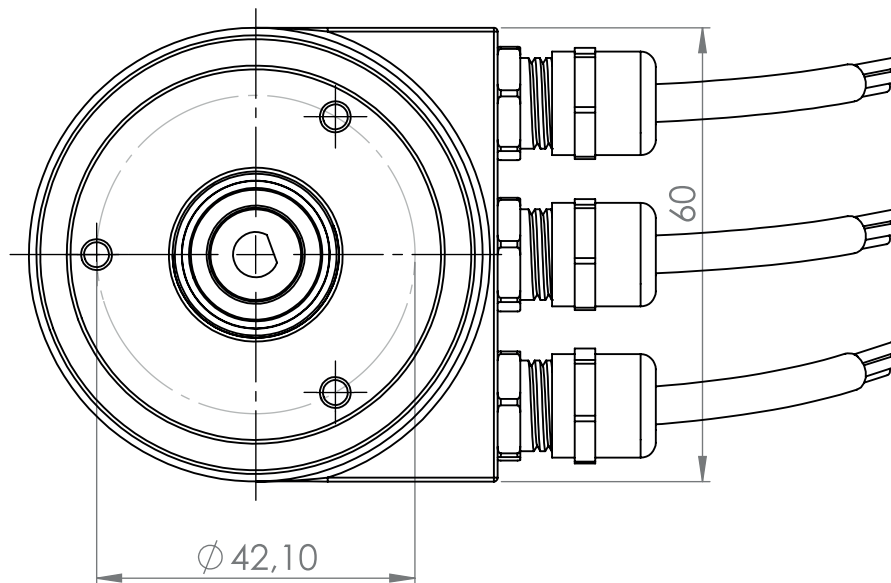
Voltage supply	5.5VDC to 30VDC 4.75VDC to 5.5VDC 8VDC to 30VDC
Protection	Output short circuit protection. Reverse polarity protection
Consumption w/o load	≤50 mA (24 VDC)
Initializing time ty.	170 ms after power on
Interface	CANopen
Resolution (steps/turn)	9 to 16 bit
Number of revolution	4, 8, 12, 16, 24, 32
Code	Binary
Code sequence	CW default, programmable
Absolute accuracy	±0.35°
Device adress	Rotary switch in bus cover
Interference immunity	DIN EN 61000-6-2
Emitted interference	DIN EN 61000-6-4
Approval	CE
Programmable parameters	Steps per revolution Number of revolutions Preset Scaling Rotating direction
Diagnostic functions	Position or parameter error Multiturn sensing
Status indicator	RED & GREEN-LED integrated in bus cover

Technical data-mechanical ratings

Dimensions (flange)	Ø58 mm
Shaft loading	≤140 N axial ≤240 N radial
Protection DIN EN 60529	IP54, IP65
Operating speed	≤10,000 rpm
Starting torque	≤0.025 Nm (IP67)
Materials	Housing: aluminum Shaft: stainless steel
Shaft diameter	6, 8 mm (other diameters on request)
Bearings lifetime	2x10 ⁹ rev. at 100% of full rated shaft load (minimum)
Operating temperature	-25...+90°C
Storage temperature	-40°C up to +120°C
Weight approx.	300 g
Connection	Buscover
Relative humidty	95%
Resistance	DIN EN 60068-2-6 Vibration 30 g, 10-2000 Hz DIN EN 60068-2-27 Shock 200 g, 6 ms

FNC AC 58S Bus Cover Series

Mechanical Dimensions



FNC AC 58S Bus Cover Series

Encoder Part Number

