

FNC F16 Series



Features

- Designed for motor feedback applications
- Both A, B, Z incremental and U, V, W commutation signals
- Differential RS 422 incremental output signals.
- Non-contact magnetic technology
- 16 mm diameter body

Technical data - electrical ratings

Voltage supply	5VDC \pm %5
Interface	ABZ ; Line Driver RS422 UVW ; (\pm 24 mA output drive)
Resolution (steps/turn) :	up to 4096 CPR
Commutatiton Signals :	up to 16 pole

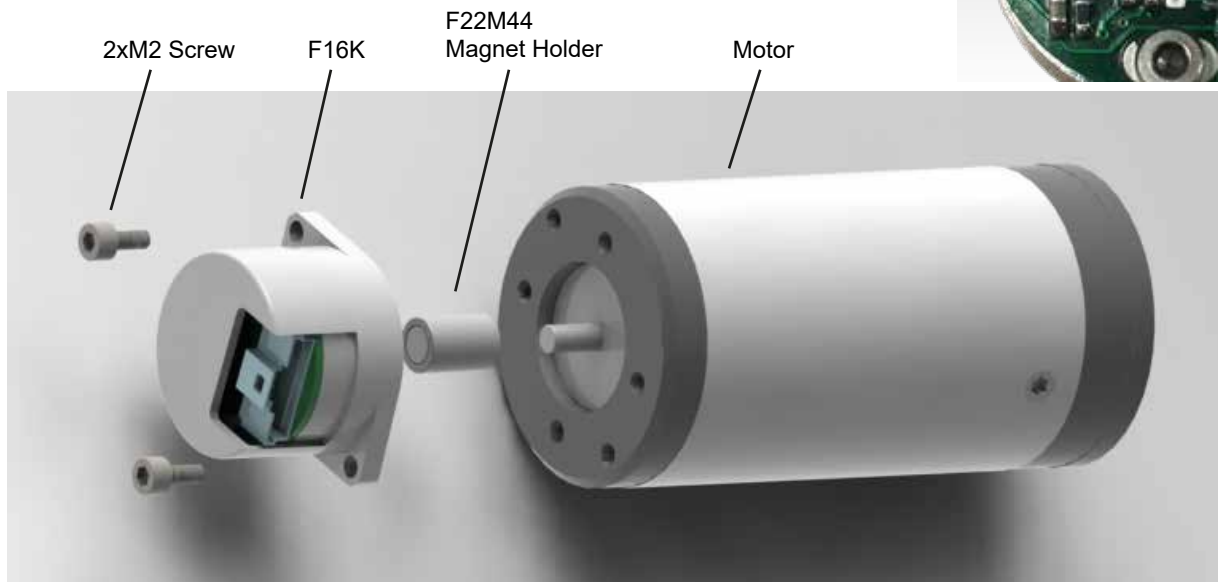
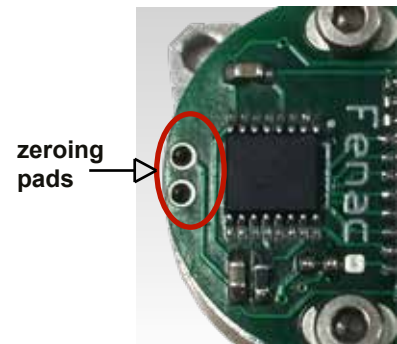
Technical data - mechanical design

Dimensions	\varnothing 16 mm
Mount Diameter	21 mm
Materials	Housing: Aluminium Cover: Aluminium
Magnet actuator	for integration into 3 mm shaft

Installation Guide

Zero the UVW signals

First move the motor to the required zero UVW position. Short together the two zeroing pads.

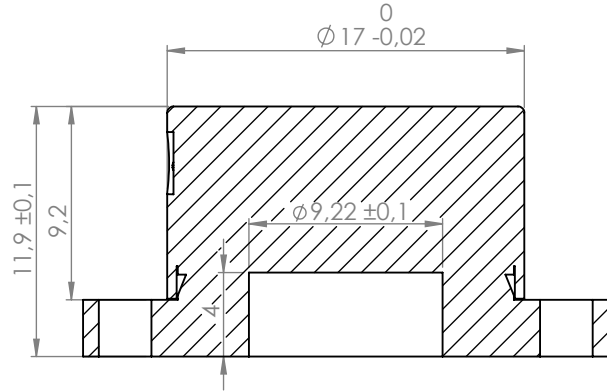
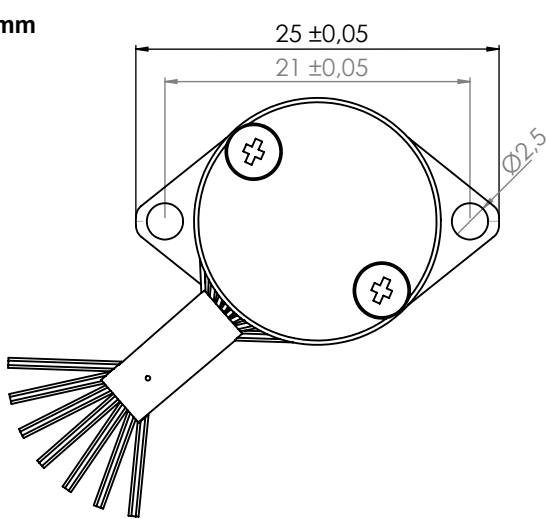


Commutation & Incremental encoders

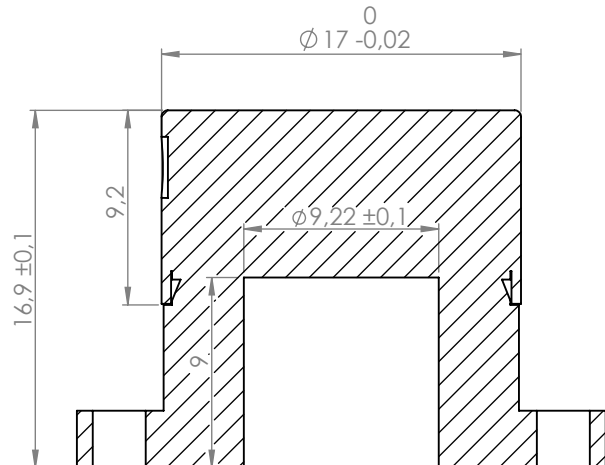
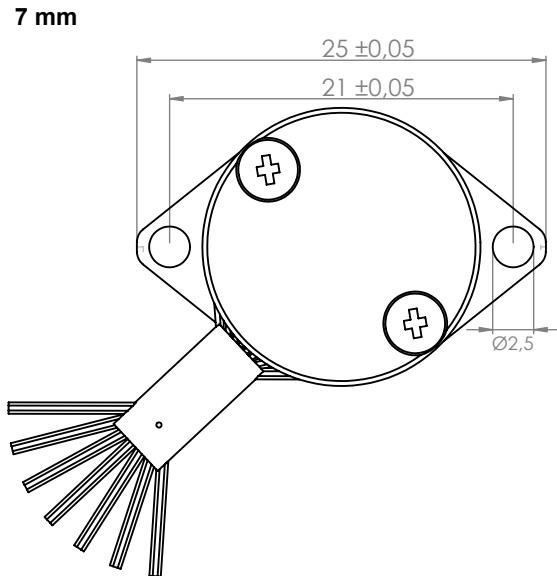
FNC F16 Series

Mechanical Dimensions

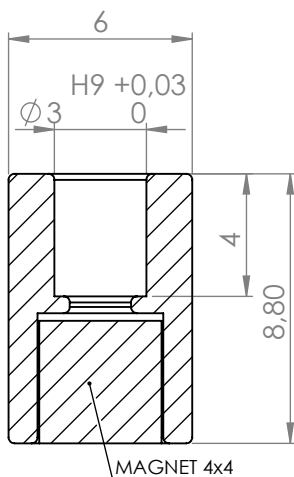
2 mm



7 mm



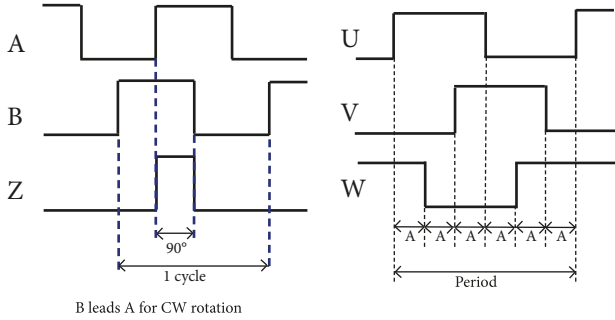
F22M4403 / F22M4404



Commutation & Incremental encoders

FNC F16 Series

Pulse Diagram

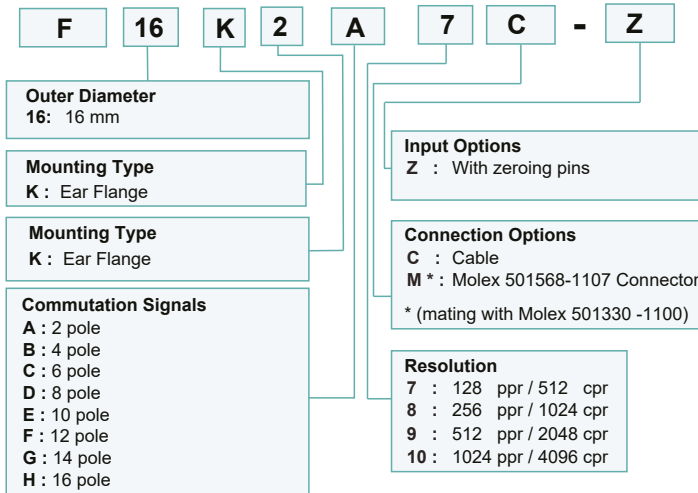


Cable Wiring / Connector

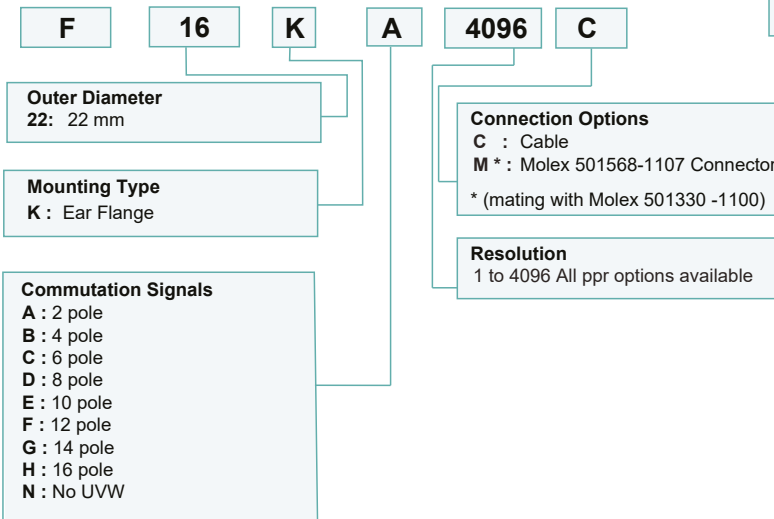
Function	Color	Renk
+VDC	Brown	Kahve
GND	White	Beyaz
A	Green	Yeşil
A'	Red	Kırmızı
B	Yellow	Sarı
B'	Pink	Pembe
Z	Gray	Gri
Z'	Blue	Mavi
U	Black	Siyah
V	Orange	Turuncu
W	Transparent	Şeffaf

Encoder Part Number

Commutation Version with Preset



Commutation Version without Preset



Magnet Holder

