

FNC F22S Series



Features

- Designed for motor feedback applications
- Both A, B, Z incremental and U, V, W commutation signals
- Differential RS 422 incremental output signals.
- Non-contact magnetic technology
- 22 mm diameter body

Technical data - mechanical design

Dimensions	ø22 mm
Mount Diameter	26 mm
Materials	Housing: Aluminium Cover: Aluminium
Magnet actuator	for integration into 3 mm shaft

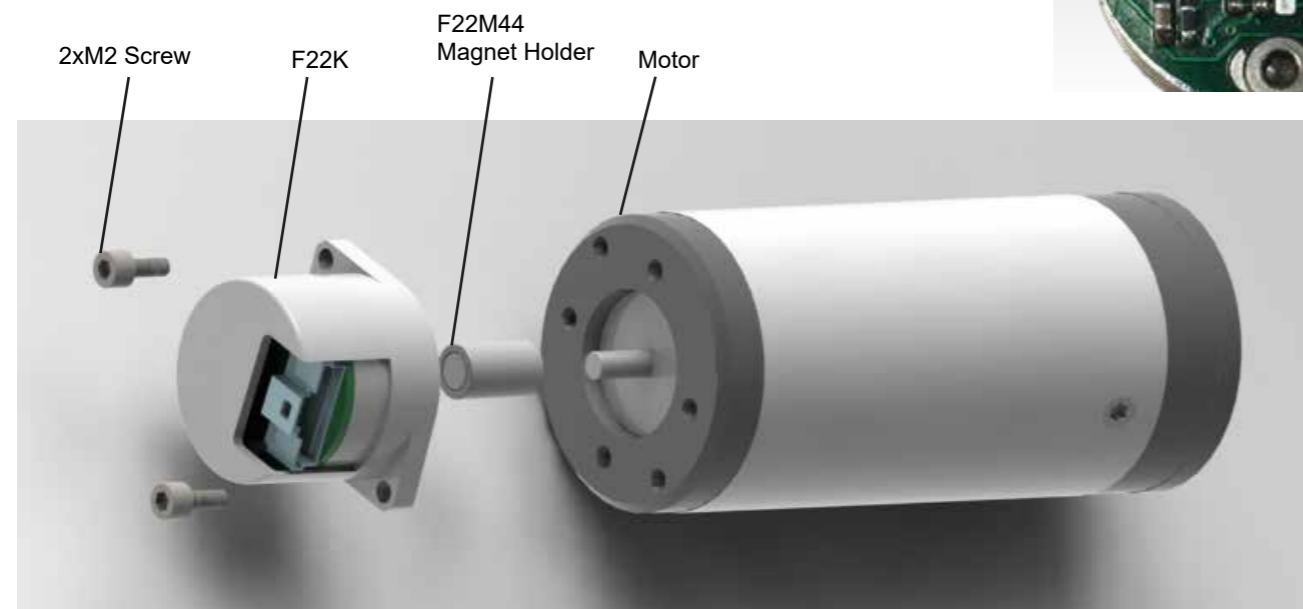
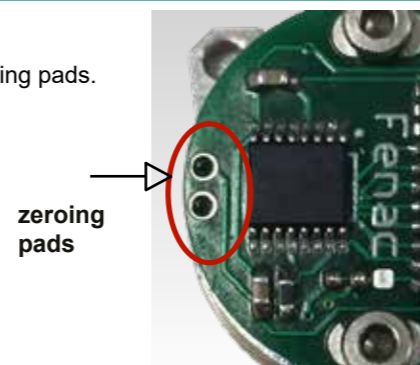
Technical data - electrical ratings

Voltage supply	5VDC ± %5
Interface	ABZ ; Line Driver RS422 UVW ; (±24 mA output drive)
Resolution (steps/turn) :	up to 4096 CPR
Commutatiton Signals :	up to 16 pole

Installation Guide

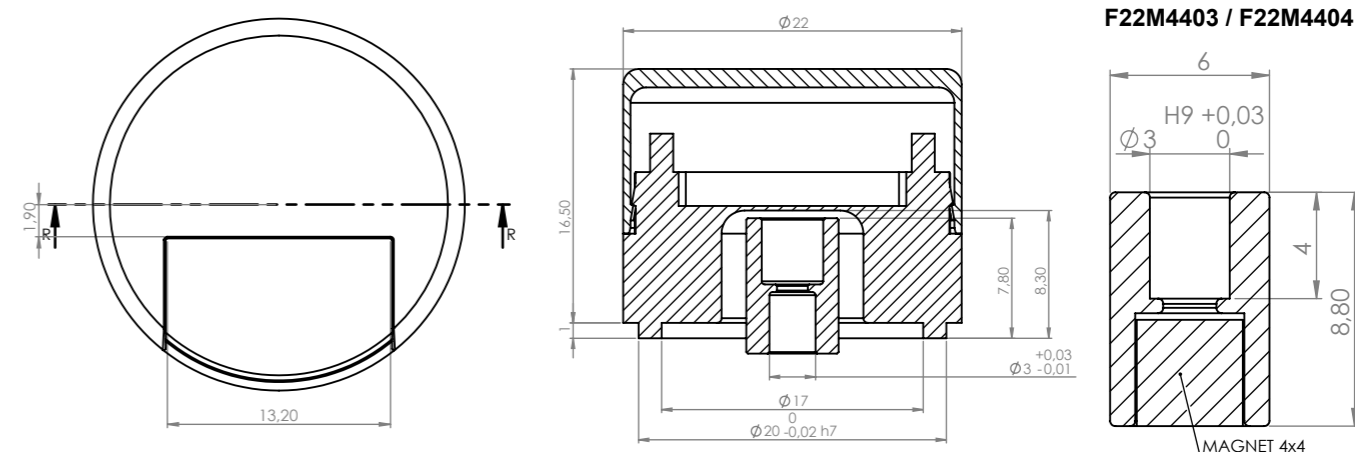
Zero the UVW signals

First move the motor to the required zero UVW position. Short together the two zeroing pads.

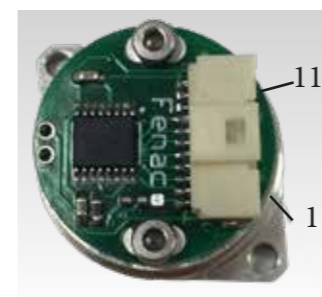


FNC F22S Series

Mechanical Dimensions

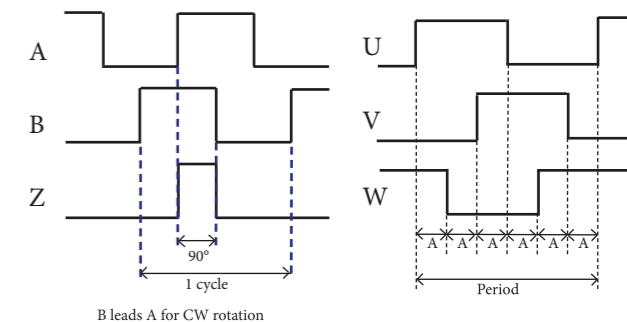


Connection



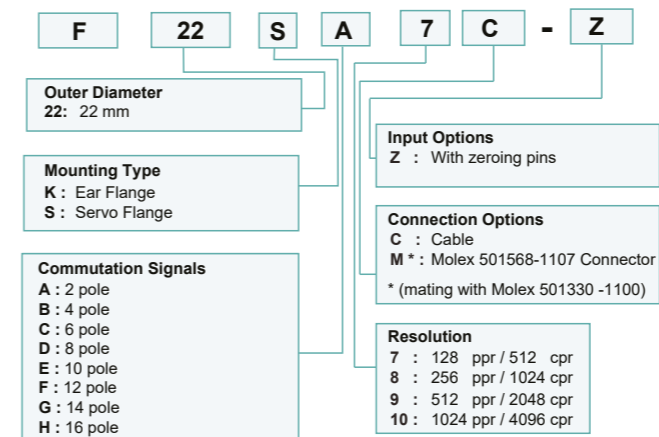
Function	Color	Pin
+VDC	Brown	2
GND	White	1
A	Green	8
A'	Red	7
B	Yellow	5
B'	Pink	6
Z	Gray	4
Z'	Blue	3
U	Black	9
V	Orange	10
W	Transparent	11

Pulse Diagram

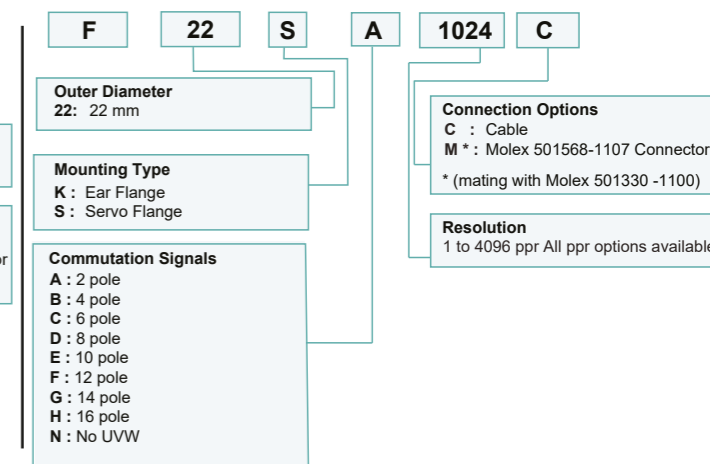


Encoder Part Number

Commutation Version with Preset



Commutation Version without Preset



Magnet Holder

