

# Model PLT

## Depth / Level & Temperature Transmitter

### Description

PLT model, the highest precise Transmitter, is affordable simultaneous measure temperature and pressure at a same time. PLT made of Vented Polyurethane cable, being used atmospheric compensation. It is compact size (Ø30), best available for waterproof to a depth of 350m.

### Features

- ▶ 4~20mA output
- ▶ Pressure : 0.15%FS accuracy
- ▶ Temperature : 0.5%FS accuracy
- ▶ Diameter : Ø30
- ▶ Fully sealed construction
- ▶ Vented polyurethane cable
- ▶ Pressure Cell : Piezoresistive silicon
- ▶ Temperature Cell : PT100
- ▶ Stainless steel(316L) media-wetted materials

### Applications

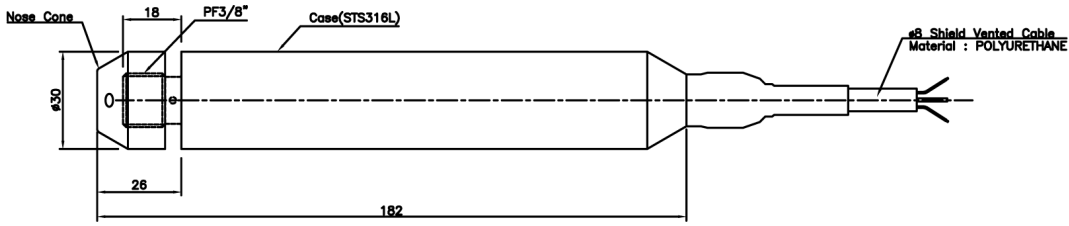
- ▶ Tank Level & Temperature Measurement
- ▶ Deep Well Measurement
- ▶ Ship & Marine System
- ▶ Ground & Surface Water Monitoring
- ▶ Geophysical Application
- ▶ Water Supply & Reservoirs



### Specifications

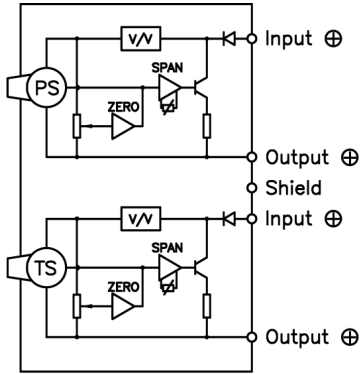
	Pressure	Temperature
<b>Range</b>	0~3,5,10,20,30,50,70,200,350mH <sub>2</sub> O(Gauge,Absolute)	-20~50, 0~50, 0~70°C
<b>Sensing Element</b>	Piezoresistive silicon	RTD(PT100Ω)
<b>Performance</b>		
Accuracy	±0.15%FS(RSS)	±0.5%FS(RSS)
Thermal Effect on Zero	±0.03%FS/°C	-
Thermal Effect on Span	±0.03%FS/°C	-
Compensated Temperature Range	0 ~ 70°C	-
Operating Temperature Range		-20 ~ 80°C
<b>Electrical</b>		
Excitation		11 ~ 28VDC
Output		4~20mA(2Wire)
Electrical Connection		Ø8 Vented Tube Polyurethane Cable
<b>Physical</b>		
Proof Pressure		300%FS Max.
Burst Pressure		400%FS Min.
Vibration		49.1m/s <sup>2</sup> {5G}, 10~500Hz
Shock		490m/s <sup>2</sup> {50G}
Protection		IP68
Media-Wetted Materials		Stainless Steel 316L, VITON
Weight		Approx. Sensor 400g

## Dimension



Sensor	Wire Color	Connections
Pressure	Red	Input ⊕
	Black	Output ⊕
Temperature	Green	Input ⊕
	White	Output ⊕
	Shield	Earth

## Internal Circuit Diagram



## Ordering Information

**PLT H 0010 K G 00/50 C**

<b>Model Name</b>	<b>Temperature Unit</b> C : °C F : °F
<b>Output</b> H : 2Wire 4~20mA	<b>Temperature Range</b> -20/50 : -20~50 00/50 : 0~50 00/70 : 0~70
<b>Pressure Range</b> XXXX : Pressure	<b>Type of Pressure Measurement</b> G : Gauge J : Absolute
<b>Pressure Unit</b> R : kPa                      M : MPa B : bar                        K : kgf/cm <sup>2</sup> P : psi                         H : mmHg C : cmH <sub>2</sub> O	