

Model PSH(Flush Diaphragm)

High Performance Pressure Transducer

Description

PSH(Flush Diaphragm) model is designed as a flush diaphragm suitable for sanitary use and is high precise for tank levels. Media-wetted materials there are composed by stainless steel 316L to have superior corrosion-resistant properties. It is applied to precise measurement and builds an inner amplifier to interface with various kinds of controllers.

Features

- ▶ CE Certified
- ▶ VDC, mA output
- ▶ Measuring range 0~3.5MPa
- ▶ 0.15%FS accuracy
- ▶ Gauge and absolute measurement
- ▶ Piezoresistive silicon cell
- ▶ Stainless steel(316L) media-wetted materials

Applications

- ▶ Food Process control
- ▶ Water Resource management
- ▶ Sewage Water & Slurry
- ▶ Glues & Resins
- ▶ Oils & Lubricants
- ▶ Cosmetics & Pulp
- ▶ Abrasive Liquids



Specifications

Range

0 ~ 5kPa ... 3.5MPa(Gauge)
-100kPa ~ 0 ... 3.5MPa (Gauge)
0 ~ 35kPa ... 3.5MPa (Absolute)

Performance

Accuracy $\pm 0.15\%FS(RSS)$
Thermal Effect on Zero $\pm 0.03\%FS/^{\circ}C$
Thermal Effect on Span $\pm 0.03\%FS/^{\circ}C$
Compensated Temperature Range -10 ~ 70°C
Operating Temperature Range -20 ~ 80°C

Electrical

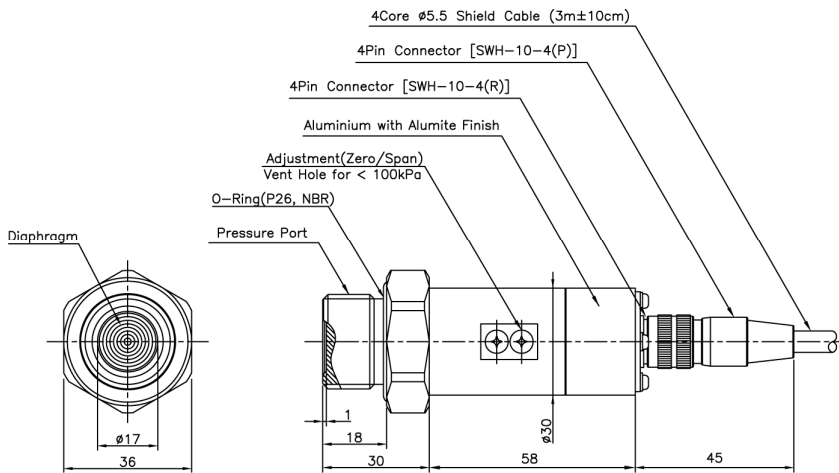
Excitation 11 ~ 28VDC
Output 0~5VDC, 1~5VDC, 0~10VDC(3, 4Wire)
4~20mA(2, 3 Wire)
Electrical Connection Connector, Head, Din Connector

Physical

Proof Pressure X3
Burst Pressure X4
Vibration 49.1m/s²{5G}, 10~500Hz
Shock 490m/s²{50G}
Pressure port R(PT)3/4", G(PF)3/4"
Media-Wetted Materials Stainless Steel 316L, Viton
Weight Connector type : Approx. 180g (Sensor Only)

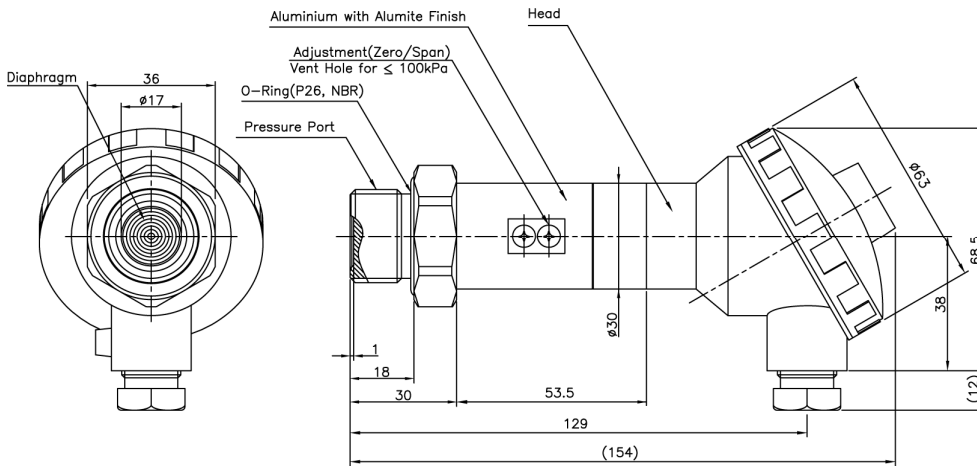
Dimension

► Connector Type



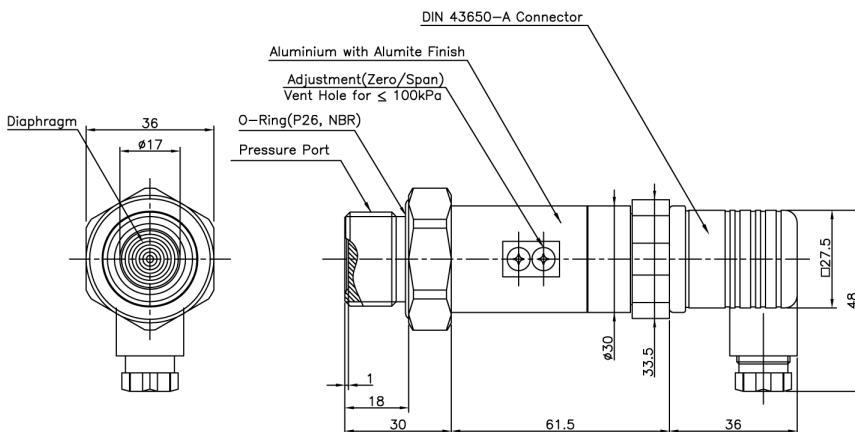
Pin No.	Wire Color	Connections		
		4Wire	3Wire	2Wire
1	Red	Input ⊕	Input ⊕	Input ⊕
2	White	Output ⊖	Common ⊖	×
3	Black	Input ⊖	×	Output ⊕
4	Green	Output ⊕	Output ⊕	×
5	Shield	Earth	Earth	Earth

► Head Type



No.	Connections
	2Wire
+	Input ⊕
⊕	Earth
-	Output ⊕

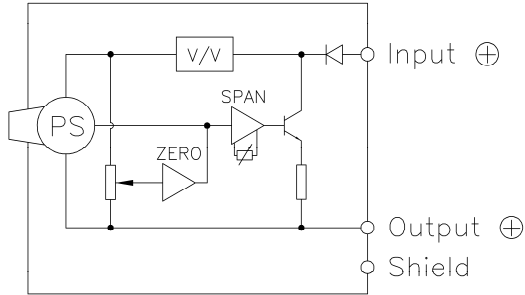
► Din connector Type



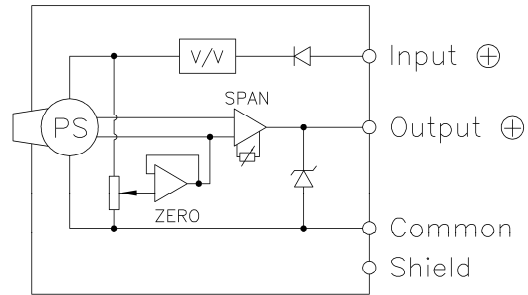
Pin No.	Connections	
	3Wire	2Wire
1	Input ⊕	Input ⊕
2	Common ⊖	Output ⊕
3	Output ⊕	×
⊕	Earth	Earth

Internal Circuit Diagram

▶ 2Wire mA Output Type



▶ 3, 4Wire mA, VDC Output Type



Ordering Information

Model Name	PSH B 0005 R I P G	Type of Pressure Measurement
Output		G : Gauge J : Absolute
B : 4Wire 0~5V		Connecting Methods
C : 3Wire 0~5V		P : Connector
D : 4Wire 1~5V		H : Head
E : 3Wire 1~5V		I : Din 43650-A connector
F : 4Wire 4~20mA		Pressure port
Pressure Range		W : R(PT)3/4"(Flush Diaphragm)
XXXX : Pressure		I : G(PF)3/4"(Flush Diaphragm)
		Pressure Unit
		R : kPa
		M : MPa
		B : bar
		K : kgf/cm ²
		P : psi
		H : mmHg
		C : cmH ₂ O