

# Model PSK

## General Purpose Pressure Transducer

### Description

PSK designed for all industry which is compact pressure transducer. Precise measurement is available with a semiconductor pressure cell. Inner amplification circuit applies to various control equipment.

### Features

- ▶ VDC, mA output
- ▶ Measuring range 0~3.5MPa
- ▶ 0.5%FS accuracy
- ▶ Gauge and absolute measurement
- ▶ Piezoresistive silicon cell
- ▶ Stainless steel media-wetted materials

### Applications

- ▶ Process control
- ▶ Hydraulics & Pneumatic
- ▶ Compressor Control
- ▶ Chillers
- ▶ Refrigeration Equipment



### Specifications

#### Range

0 ~ 20, 30, 50, 100, 200, 300, 500, 700kPa / 2, 3.5MPa(Gauge)  
0 ~ 100, 200, 300, 500, 700kPa / 2, 3.5MPa (Absolute)

#### Performance

Accuracy	±0.5%FS(RSS)
Thermal Effect on Zero	±0.05%FS/°C
Thermal Effect on Span	±0.05%FS/°C
Compensated Temperature Range	-10 ~ 70°C
Operating Temperature Range	-20 ~ 80°C

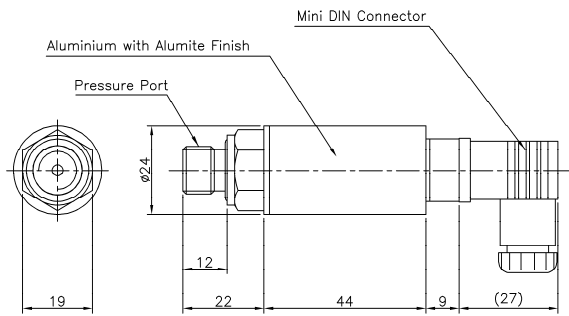
#### Electrical

Excitation	11 ~ 28VDC
Output	1~5VDC, 4~20mA(2Wire)
Electrical Connection	Mini Din Connector

#### Physical

Proof Pressure	300%FS Max.
Burst Pressure	400%FS Min.
Vibration	49.1m/s <sup>2</sup> {5G}, 10~500Hz
Shock	490m/s <sup>2</sup> {50G}
Pressure port	R(PT)1/4", G(PF)1/4"(Stock)
Media-Wetted Materials	Stainless Steel 303(Optional 316L), VITON
Weight	Approx. 100g

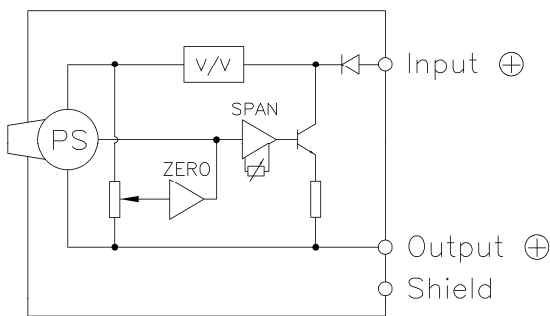
## Dimension



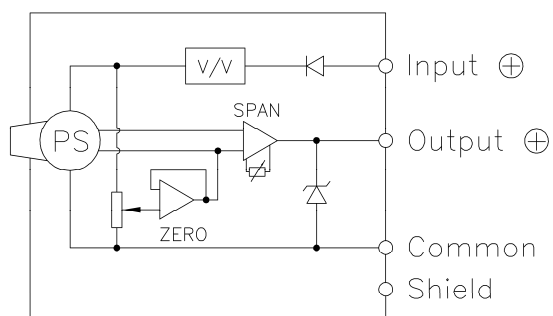
Pin No.	Connections	
	3Wire	2Wire
1	Input ⊕	Input ⊕
2	Common ⊖	Output ⊕
3	Output ⊕	x
⊕	Earth	Earth

## Internal Circuit Diagram

### ▶ 2Wire mA Output Type



### ▶ 3Wire VDC Output Type



## Ordering Information

