

Model PUH

UHP(Ultra High Purity) Pressure Transmitter

Description

The PUH are pressure transmitter designed for stable, accurate, and reliable pressure monitoring in ultra high purity applications. The ultra stable, micro machined silicon strain gauges are matched and fused, at high temperature to the metal diaphragm to relieve manufacturing induced stress. The process reduces "drift" (lack of zero stability) commonly associated with competitive products. Consequently, down time for zero adjustment to compensate for "drift" are exponentially reduced. In addition, the unique mechanical design eliminates the torque effects during installation.

Features

- ▶ CE Certified
- ▶ 0.25%FS accuracy
- ▶ 4~20mA output
- ▶ Digital signal processing, high performance digital electronics
- ▶ Ultra stable glass bonded sensing elements
- ▶ Electropolished Stainless steel 316L(VIM+VAR) media-wetted materials

Applications

- ▶ Gas cabinets
- ▶ Valve Manifold Boxes (VMBs)
- ▶ Gas panels
- ▶ Bulk gas distribution systems

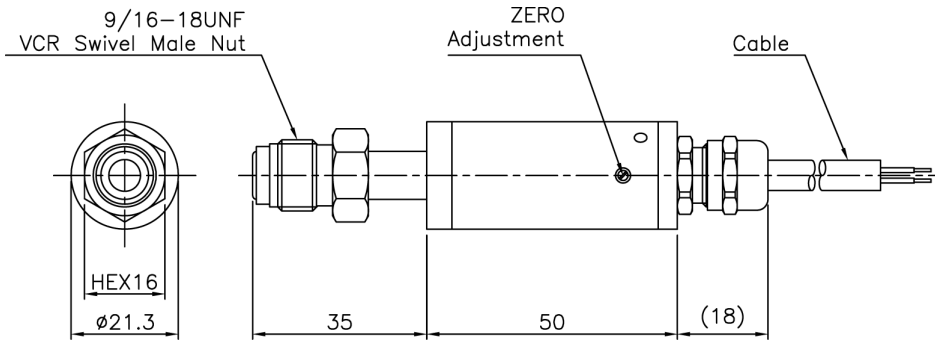
Specifications

Range	100, 200, 250, 500, 3000 psi(Gauge)
Performance	
Accuracy	±0.25%FS(RSS)
Thermal Effect on Zero	±0.03%FS/°C
Thermal Effect on Span	±0.03%FS/°C
Compensated Temperature Range	-20 ~ 60°C
Operating Temperature Range	-40 ~ 100°C
Electrical	
Excitation	10 ~ 30VDC
Output	4 ~ 20mA(2Wire)
Insulation Resistance	50MΩ @250VDC
Electrical Connection	Cable
Physical	
Proof Pressure	200%FS Max.
Burst Pressure	400%FS Min.
Pressure Port	Single end 9/16-18UNF VCR Swivel Male Nut Flow through 9/16-18UNF VCR Fixed Male Nut
Wetted Surface Finish	Electropolished, typical Ra ≤ 0.18μm(Ra7) ; max Ra ≤ 0.25μm(Ra10)
Media-Wetted Materials	Stainless Steel 316L VIM+VAR
Weight	Single end type Approx. 210g (include Cable 2m)



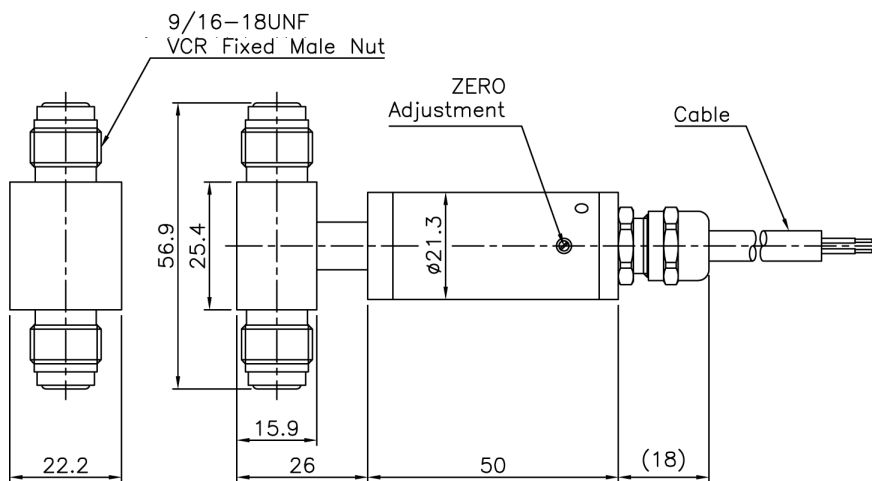
Dimension

► Single end Type



Wire Color	Connections
Red	Input ⊕
Black	Output ⊕
Shield	Earth

► Flow Through Type



Wire Color	Connections
Red	Input ⊕
Black	Output ⊕
Shield	Earth

Ordering Information

PUH H 0100 P 3 S G	
Model Name	Type of Pressure Measurement G : Sealed Gauge Pressure
Output H : 2Wire 4~20mA	Connecting Methods S : Cable
Pressure Range 0100 : 0~100 psi 0200 : 0~200 psi 0250 : 0~250 psi 0500 : 0~500 psi 3000 : 0~3000 psi	Pressure port 3 : Single end 9/16-18UNF VCR Swivel Male Nut 4 : Flow through 9/16-18UNF VCR Fixed Male Nut
	Pressure Unit P : psi