

Model SBS

Portable Digital Pressure Gauge

Description

The SBS is a portable digital pressure gauge featuring accuracy 0.5%FS, multiple measurement units, Min./Max. readings, auto zero and automatic power off to conserve battery 9V power. Also, a backlight provides improved visibility under poor lighting conditions.

Features

- ▶ CE Certified
- ▶ Measuring range 0~10MPa
- ▶ $\pm 0.5\%$ FS Accuracy
- ▶ Large, easy to read display & Backlight Unit
- ▶ 10 selectable pressure units (MPa, mbar, bar, mmH₂O, inHg, mmHg, kgf/cm², atm, psi, kPa)
- ▶ Peak, Auto power off, Auto Zero

Applications

- ▶ Portable Field Calibration & Calibration Labs.
- ▶ Process monitoring & Control
- ▶ Valve & Regulator Test
- ▶ Leak Test



Specifications

Range

0~100kPa ... 10MPa(Gauge)

Performance

Accuracy	$\pm 0.5\%$ FS \pm 1digit
Thermal Effect on Zero	$\pm 0.05\%$ FS /°C
Thermal Effect on Span	$\pm 0.05\%$ FS /°C
Compensated Temperature Range	-10~50°C
Operating Temperature Range	-20~70°C

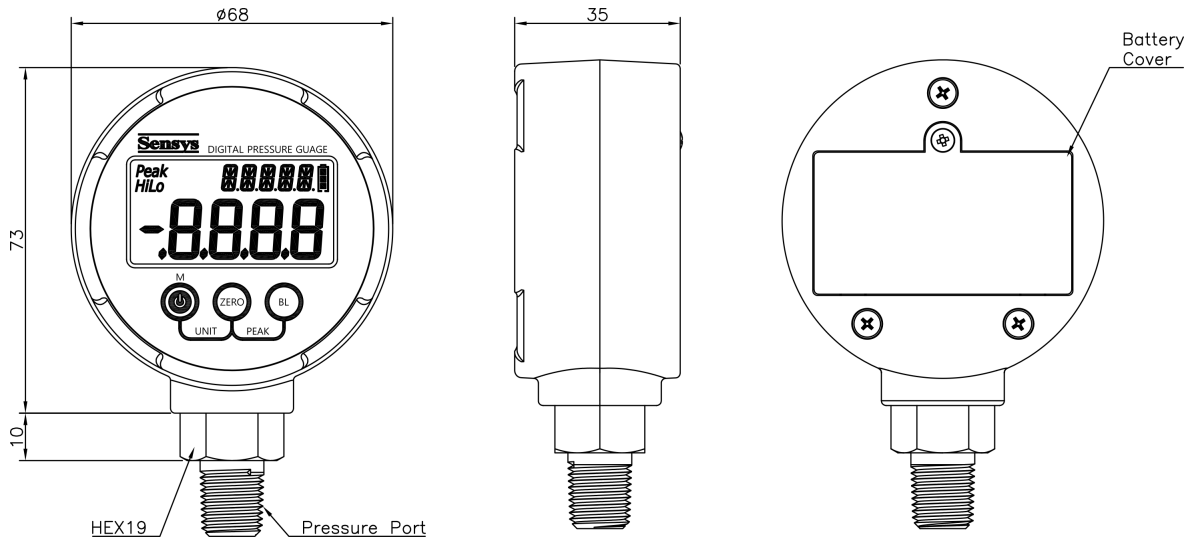
Electrical

Display	± 3000 Backlight LCD
Excitation	9V Battery \times 1
Display Time	1, 2, 5, 7, 10 time/sec
Function	Unit Conversion, Peak, Auto Power Off, Auto Zero

Physical

Proof Pressure	X1.5
Burst Pressure	X2
Pressure Port	R(PT)1/4", G(PF)1/4"
Media-Wetted Materials	SS316L, SS303, VITON
Weight	Approx. 160g

Dimension



Ordering Information

	SBS A 0100 R D G	
Model Name		Type of Pressure Measurement
Output		G : Gauge
A : None		Pressure port
Pressure Range		C : R(PT)1/4" D : G(PF)1/4"
XXXX : Pressure		Pressure Unit
		R : kPa M : MPa