

Model TIG

Explosion Proofed Temperature Transmitter with Local Indication

Description

TIG model, has Explosion Proof(Ex d IIC T6) and water-proof(IP67) is ideal for a danger area and at the place is required to be waterproofed. Its sensing element is made with PT100. With 4-1/2 Digit Backlight LCD, it can not only display up to ± 19999 but also is visible from the dark place. Its functions, Analog output, Relay output and RS-485 communication, Pressure Unit convertor and Scale adjustment can be utilized with a variety of controller.

Features

- ▶ Explosion proof approval to Ex d IIC T6, IP67
- ▶ 4 1/2 digit Backlight LCD display
- ▶ Built-in amplifier circuit(VDC, mA)
- ▶ Optional 2-channel Relay output
- ▶ Optional RS485 output
- ▶ Measuring range $-50\sim 600^{\circ}\text{C}$
- ▶ 0.2%FS accuracy

Applications

- ▶ Chemical & Petrochemical
- ▶ Process Control & Monitoring
- ▶ Food & Pharmaceutical
- ▶ Plant utility monitoring

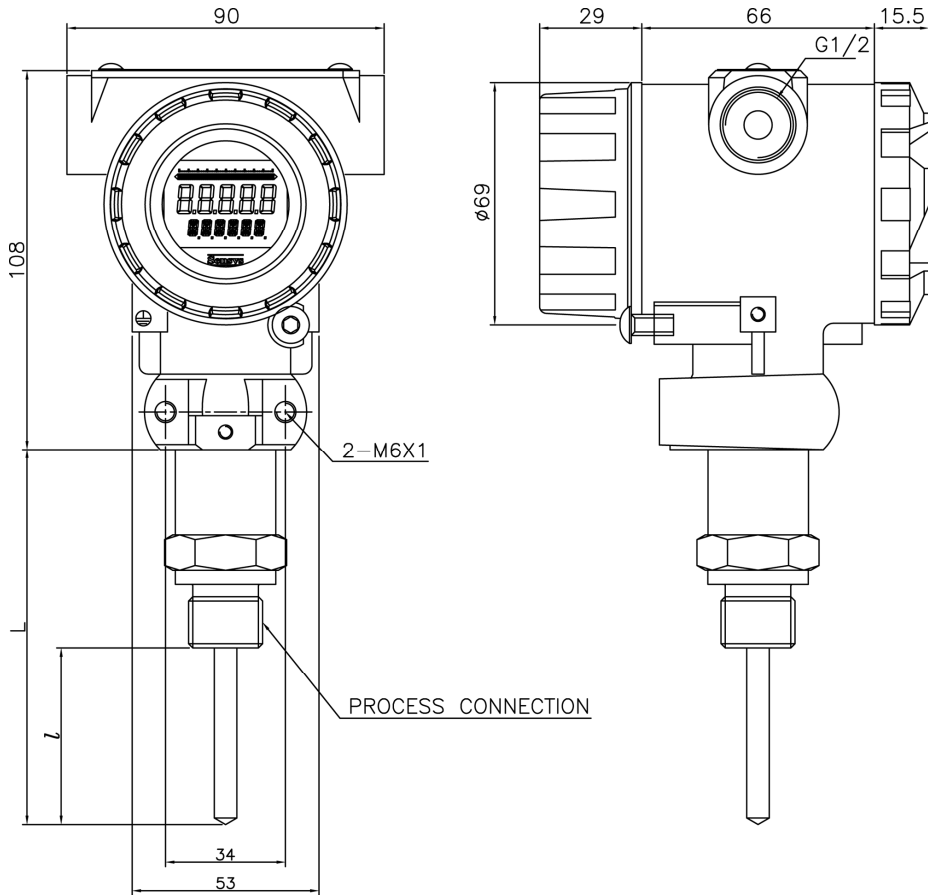
Specifications



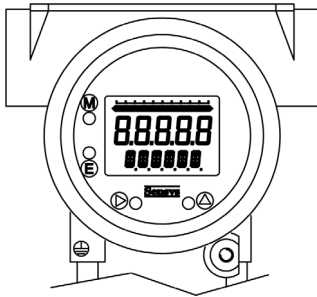
	2Wire Output	3Wire Output
Range	-50 ... 600°C	
Sensing Element	Sheathed RTD(PT100Ω)	
Performance		
Accuracy	$\pm 0.2\%FS \pm 1\text{digit}$	
Ambient Temperature Range	$-20\sim 60^{\circ}\text{C}$	
Electrical		
Display	$\pm 19999(4\ 1/2)$ Backlight LCD	
Excitation	11~28VDC	17~28VDC
Output		
Analog	4~20mA(2Wire)	4~20mA(3Wire), 0~5V, 1~5V, 0~10V
Switching(Optional)	-	2Ch Relay(3A 30VDC / 3A 250VAC)
Digital(Optional)	-	RS485
Response Time	0.1~1sec	
Electrical Connection	G(PF) 1/2"	
Physical		
Vibration	49.1m/s ² {5G}, 10~500Hz	
Shock	490m/s ² {50G}	
Process Connection	R(PT)1/4",G(PF)1/4",R(PT)3/8",G(PF)3/8",R(PT)1/2",G(PF)1/2", Flange & Other Connection Available on Request	
Media-Wetted Materials	Stainless Steel 316, Other Available on Request	
Explosion Proof	Ex d IIC T6	
Protection	IP67	
Weight	Approx. 1kg (Standard type only)	

Dimension

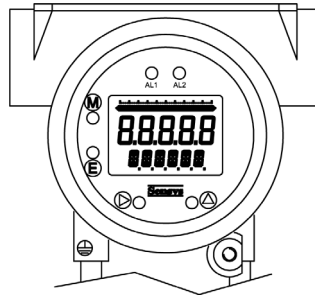
► Out Dimension



► Front Panel

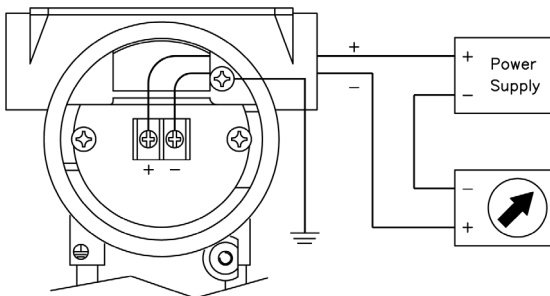


Non Switching Output Type

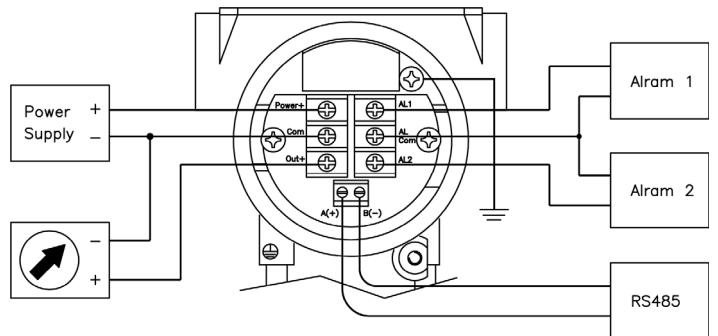


Switching Output Type

► Connection



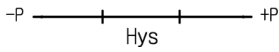
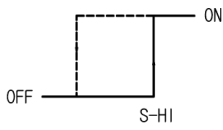
2Wire Output Type



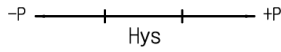
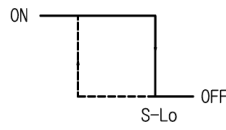
3Wire Output(Option : Switching Output, RS485)

Alarm Mode

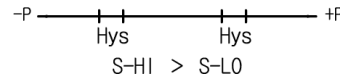
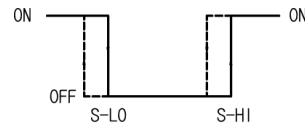
▶ Hi Mode



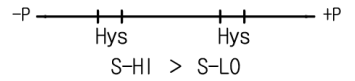
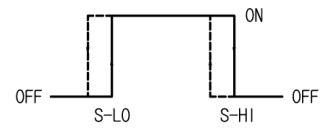
▶ Low Mode



▶ A Mode



▶ B Mode



Ordering Information

TIG H A 000/010 C 48-100/50-G/A

Model Name

Analog Output

- C : 0~5V
- E : 1~5V
- G : 4~20mA(3Wire)
- H : 4~20mA(2Wire)
- J : 0~10V

Switching & Digital Output

- A : None
- B : 2-Ch. Relay
- C : RS485
- D : 2-Ch. Relay, RS485

Low Temperature Range

XXX : Temperature

High Temperature Range

XXX : Temperature

Temperature Unit

- C : Celsius(°C)
- F : Fahrenheit(°F)

Material of Protection Tube

- A : STS316
- B : STS316L
- C : STS304
- D : Titanium
- E : Monel

Process Connection

- A : R(PT)3/8" B : G(PF)3/8"
 - C : R(PT)1/4" D : G(PF)1/4"
 - E : R(PT)1/2" Q : G(PF)1/2"
- *. Flange & Other Connection
Available on Request

Insert Length

ℓ(mm)

Length

L(mm)

Sheath Out Diameter

- 32 : Φ3.2 64 : Φ6.4
- 48 : Φ4.8 80 : Φ8.0